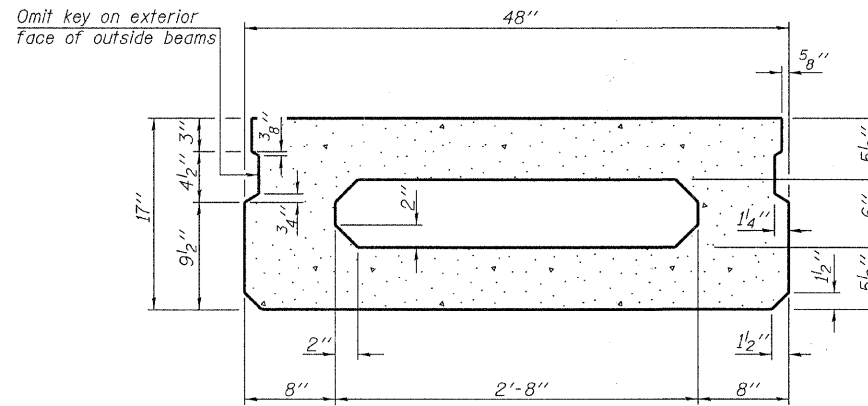
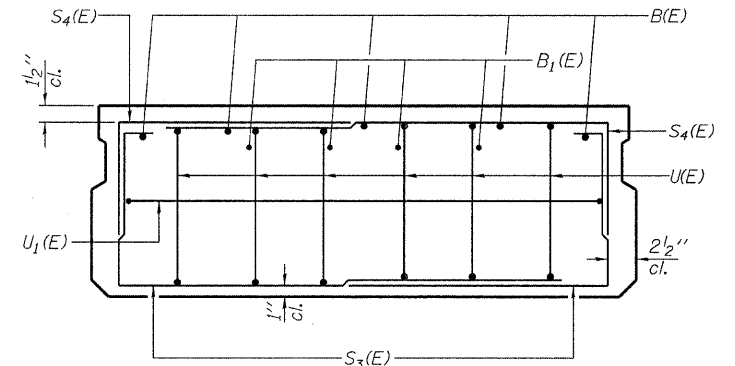


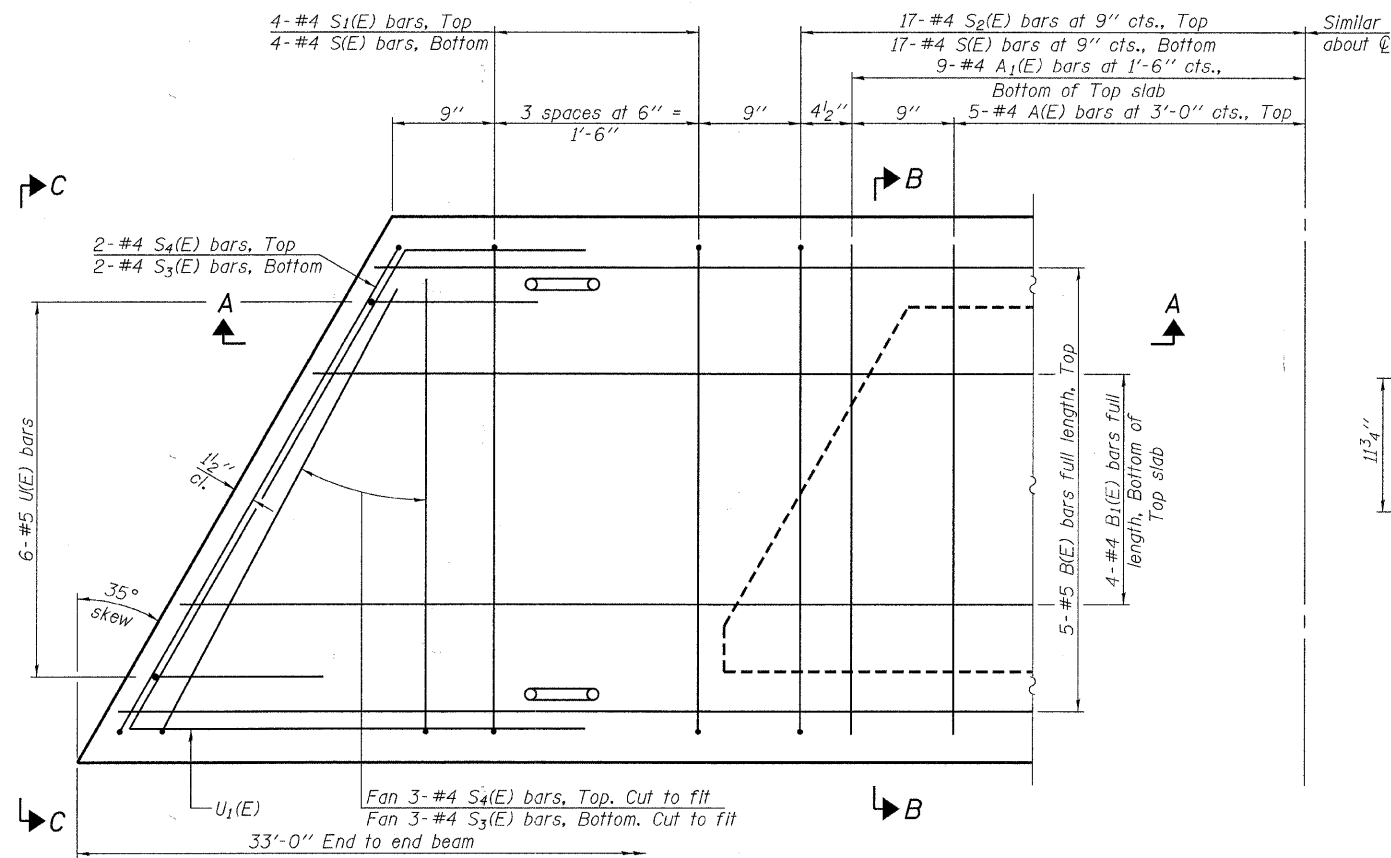
**SECTION A-A**



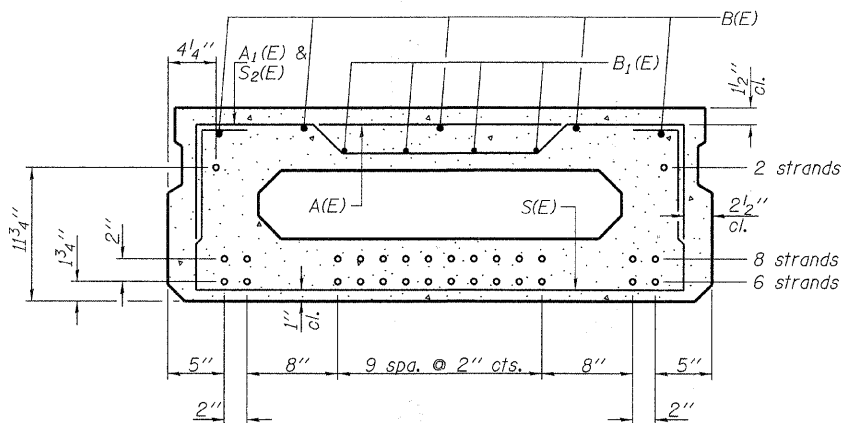
**SECTION B-B**  
(Showing dimensions)



**VIEW C-C**



**PLAN VIEW**



**SECTION B-B**

(Showing reinforcement and permissible strand locations)

Note: Place the number of strands specified in each row symmetrically about the centerline of beam in the permissible strand locations shown.

**BAR LIST**  
**ONE BEAM ONLY**  
(For information only)

Bar	No.	Size	Length	Shape
A(E)	10	#4	3'-7"	—
A1(E)	18	#4	3'-10"	~
B(E)	5	#5	32'-8"	—
B1(E)	4	#4	32'-8"	—
S(E)	42	#4	6'-9"	⌋
S1(E)	8	#4	5'-3"	⌋
S2(E)	34	#4	5'-6"	⌋
S3(E)	10	#4	4'-8"	⌋
S4(E)	10	#4	3'-11"	⌋
U(E)	12	#5	3'-8"	⌋
U1(E)	2	#4	9'-3"	⌋

Note: See sheets 3 & 6 of 12 for additional details and Bill of Material.

**MINIMUM BAR LAP**

#4 bar = 2'-0"  
#5 bar = 2'-6"

Note: Spacing of S(E) and S2(E) bars may be adjusted up to 4" in the immediate area of the transverse tie diaphragms to miss the block outs for the transverse ties.

PD-1748-L 7-1-10

FILE NAME = 100030-ah1-bridge.dgn	USER NAME =	DESIGNED - A.S.L.	REVISED -
HAMPTON, LENZINI AND RENWICK, INC. 3305 STEVENSON DRIVE, SUITE 201 SPRINGFIELD, ILLINOIS 62703	PLOT SCALE =	CHECKED - S.W.M.	REVISED -
ILLINOIS PROFESSIONAL DESIGN FIRM LS/PE/SE CORP. 184-00089	PLOT DATE = 4/5/2011	DRAWN - D.A.B.	REVISED -
		CHECKED - S.W.M.	REVISED -

**STATE OF ILLINOIS**  
**WAYNE COUNTY HIGHWAY DEPARTMENT**

**17" x 48" PPC DECK BEAM - SPANS 1 & 3**  
**STRUCTURE NO. 096-3455**

SHEET NO. 2 OF 12 SHEETS

T.R.	SECTION	COUNTY	TOTAL SHEETS	SHEET NO.
273	09-16122-00-BR	WAYNE	16	6
MASSILON TOWNSHIP			CONTRACT NO. 95650	
ILLINOIS FED. AID PROJECT				