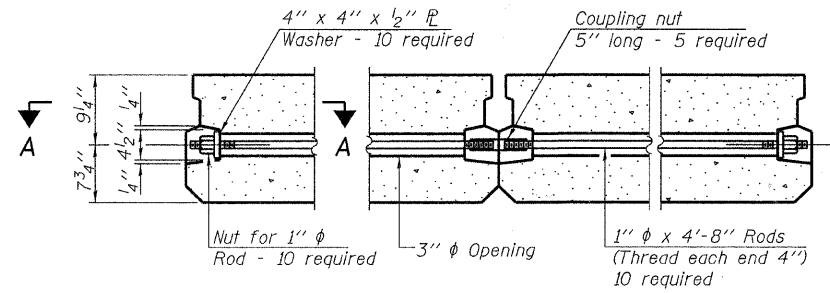
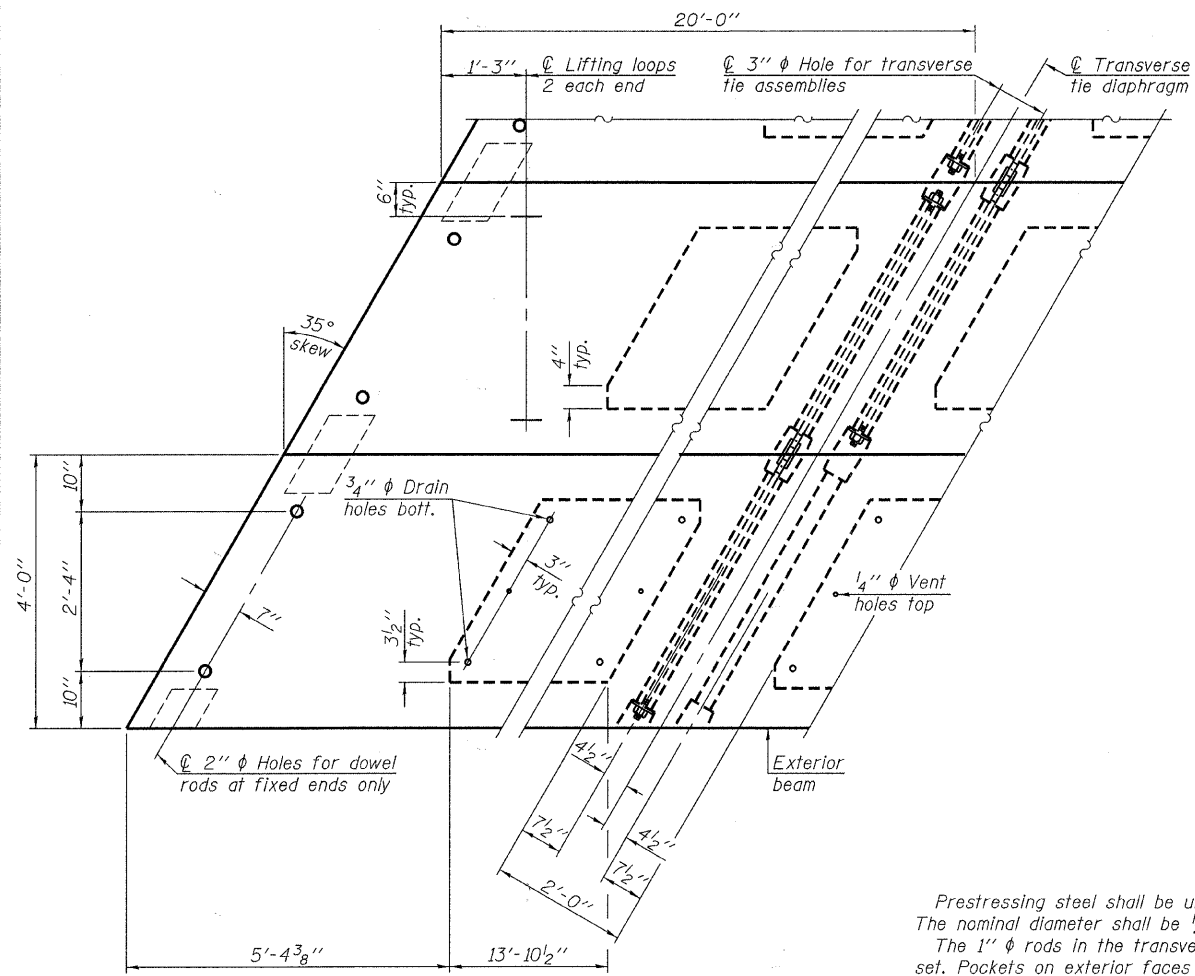


SECTION A-A

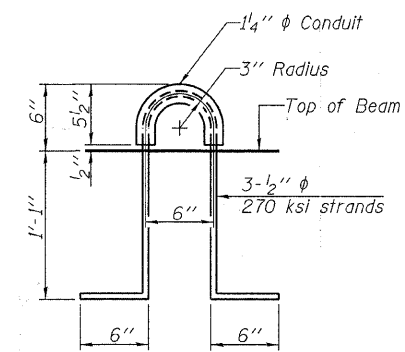


TYPICAL TRANSVERSE TIE ASSEMBLY

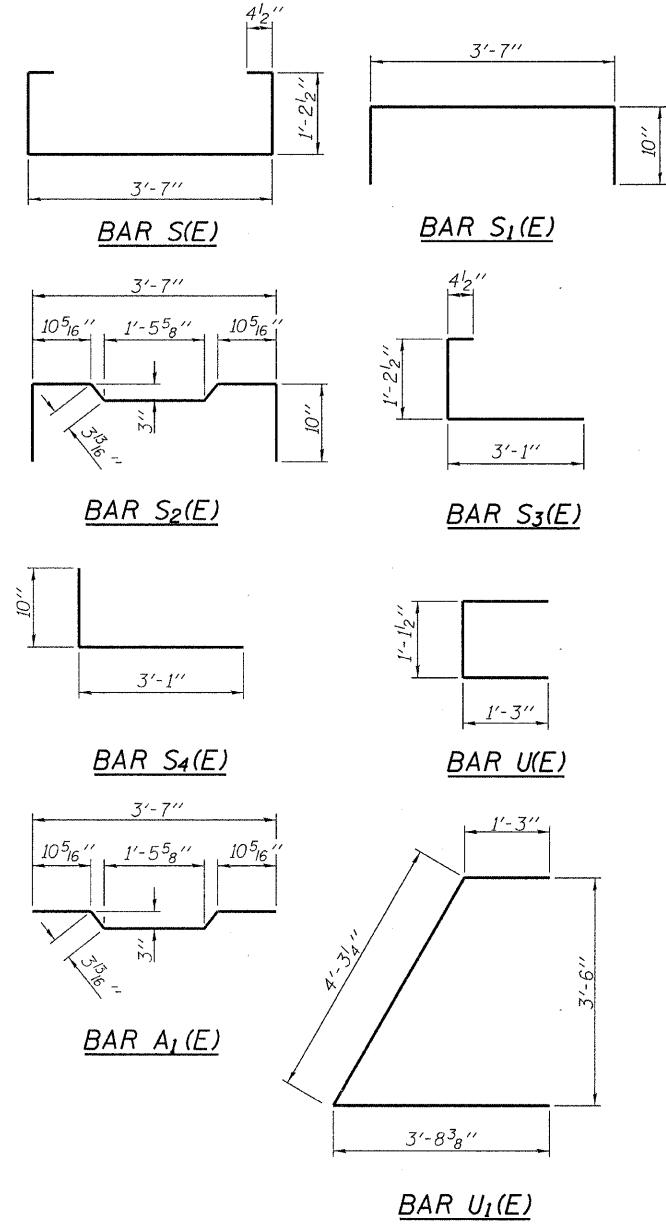


PLAN VIEW

Note: Connect beams in pairs with the transverse tie configuration shown.



LIFTING LOOP DETAIL



BILL OF MATERIAL

Precast Prestressed Conc. Deck Bms. (17" depth)	Sq. Ft.	960
---	---------	-----

NOTES

- Prestressing steel shall be uncoated high strength, low relaxation 7-wire strand, Grade 270. The nominal diameter shall be 1/2" and the nominal cross-sectional area shall be 0.153 sq. in.
- The 1"  $\phi$  rods in the transverse tie assembly shall be tightened to a snug fit and the threads set. Pockets on exterior faces of bridge shall be filled with grout after transverse tie assembly is in place.
- Reinforcement bars shall conform to ASTM A 706, Grade 60. (See Special Provisions).
- Two 3/8" fabric adjusting shims of the exterior bearing pad shall be provided for each bearing pad location.
- A minimum 2 1/2"  $\phi$  lifting pin shall be used to engage the lifting loops during handling.
- Corrosion Inhibitor, per Article 1020.05(b)(12) and 1021.06 of the Standard Specifications, shall be used in the concrete for precast prestressed concrete deck beams.
- Compressive strength of prestressed concrete,  $f'_c$ , shall be 6000 psi.
- Compressive strength of prestressed concrete at release,  $f'_{ci}$ , shall be 5000 psi.
- All bars shall be epoxy coated.

PD-1748-LD 7-1-10

FILE NAME = 100030-shr-bridge.dgn	USER NAME =	DESIGNED - A.S.L.	REVISED -
HAMPTON, LENZINI AND RENWICK, INC. 505 STEVENSON DRIVE, SUITE 201 SPRINGFIELD, ILLINOIS 62703	PLOT SCALE =	CHECKED - S.W.M.	REVISED -
ILLINOIS PROFESSIONAL DESIGN FIRM L.E. PEI & CO. INC. 184-000089	PLOT DATE = 4/5/2011	DRAWN - D.A.B.	REVISED -
		CHECKED - S.W.M.	REVISED -

STATE OF ILLINOIS  
WAYNE COUNTY HIGHWAY DEPARTMENT

17" x 48" PPC DECK BEAM DETAILS - SPAN 2  
STRUCTURE NO. 096-3455

SHEET NO. 5 OF 12 SHEETS

T.R.	SECTION	COUNTY	TOTAL SHEETS	SHEET NO.
273	09-16122-00-BR	WAYNE	16	9
MASSILON TOWNSHIP	CONTRACT NO. 95650			
ILLINOIS FED. AID PROJECT				