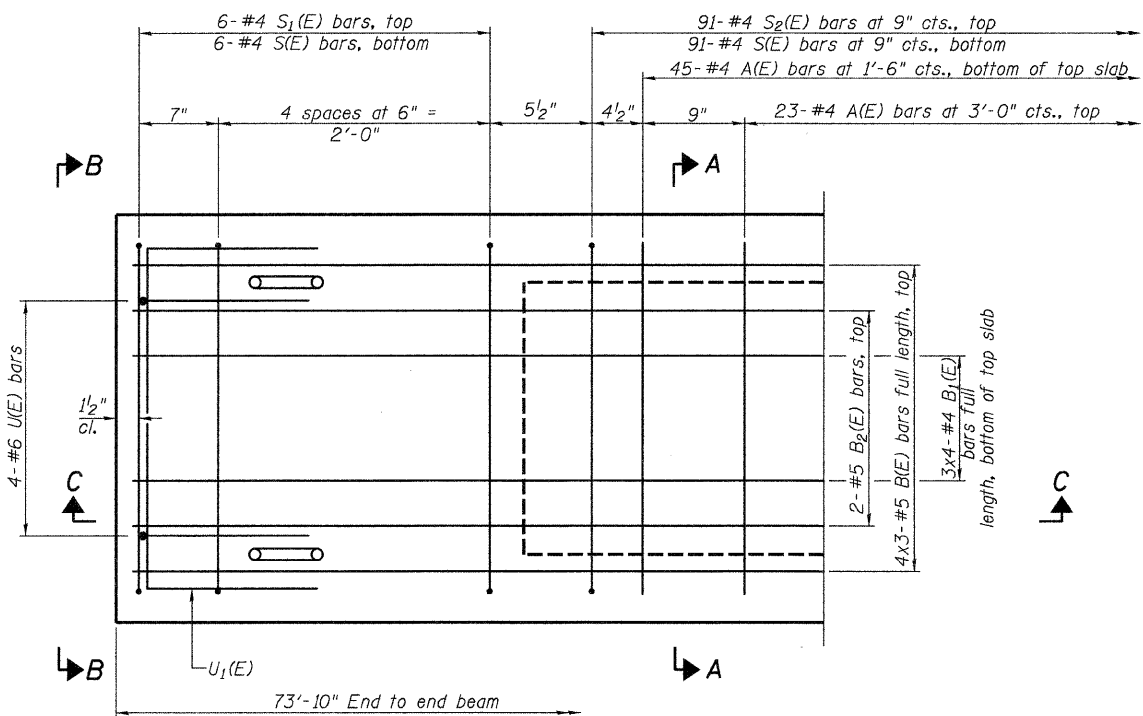


SECTION C-C



PLAN VIEW

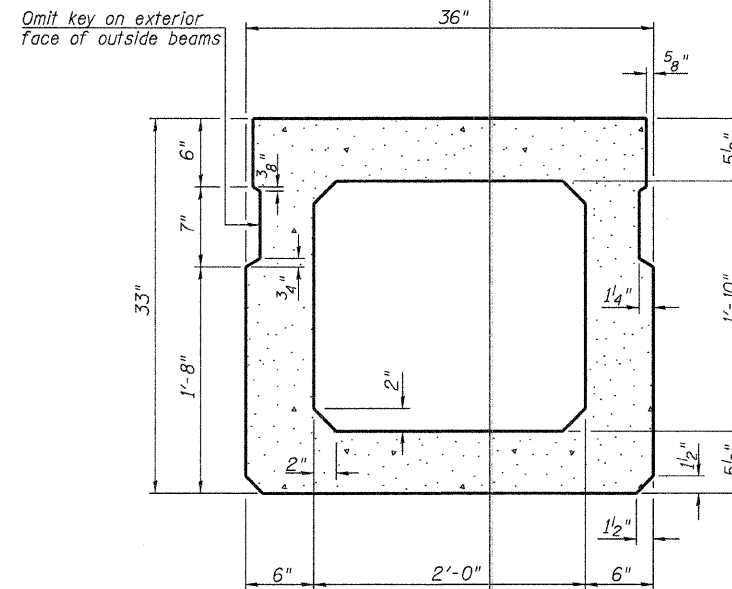
Notes: Spacing of S(E) and S₂(E) bars may be adjusted up to 4" in the immediate area of the transverse tie diaphragms to miss the block outs for the transverse ties.

Bars indicated thus: 4x3-#5 etc. indicates 4 lines of bars with 3 lengths per line.

Symmetrical about \bar{C}

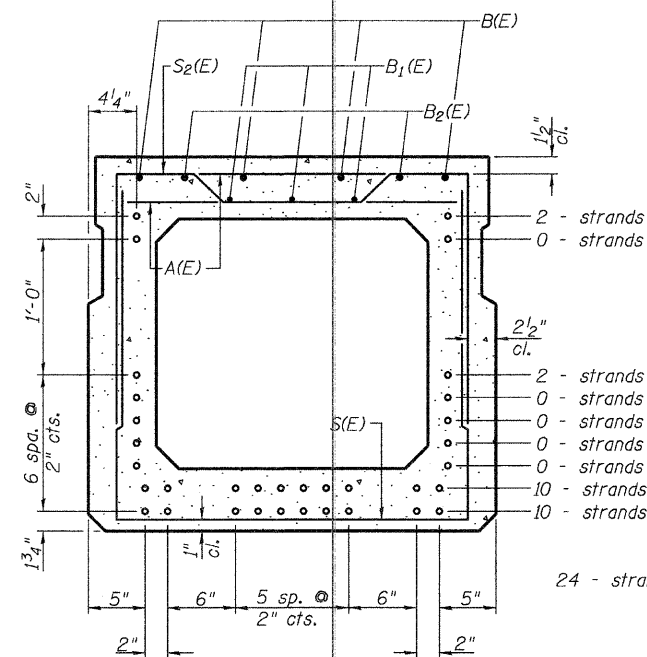
MINIMUM BAR LAP

#4 bar = 2'-0"
#5 bar = 2'-6"



SECTION A-A

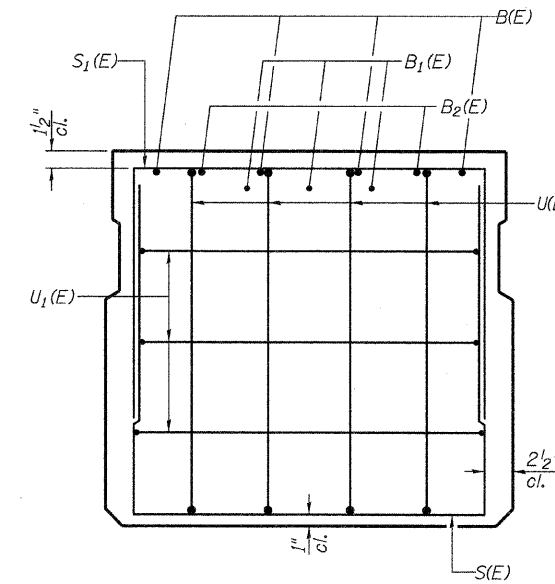
(Showing dimensions)



SECTION A-A

(Showing reinforcement and permissible strand locations)

Note: Place the number of strands specified in each row symmetrically about the centerline of beam in the permissible strand locations shown.



VIEW B-B

BAR LIST
ONE BEAM ONLY
(For information only)

Bar	No.	Size	Length	Shape
A(E)	68	#4	2'-7"	—
B(E)	12	#5	26'-3"	—
B ₁ (E)	12	#4	20'-0"	—
B ₂ (E)	4	#5	10'-0"	—
S(E)	103	#4	7'-5"	U
S ₁ (E)	12	#4	6'-3"	U
S ₂ (E)	91	#4	6'-6"	U
U(E)	8	#6	5'-0"	C
U ₁ (E)	6	#4	5'-0"	C

Note: See sheet 6 of 11 for additional details and Bill of Material.

33" X 36" PPC DECK BEAM DETAILS
STRUCTURE NO. 013-3237

ROUTE	SECTION	COUNTY	TOTAL SHEETS	SHEET NO.
TR 19	07-01116-00-BR	CLAY	11	5
CONTRACT NO. 95651				
ILLINOIS FED. AID PROJECT				