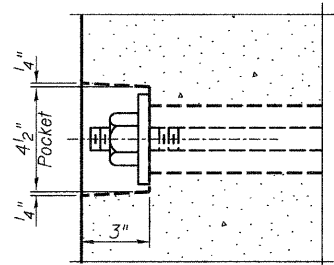


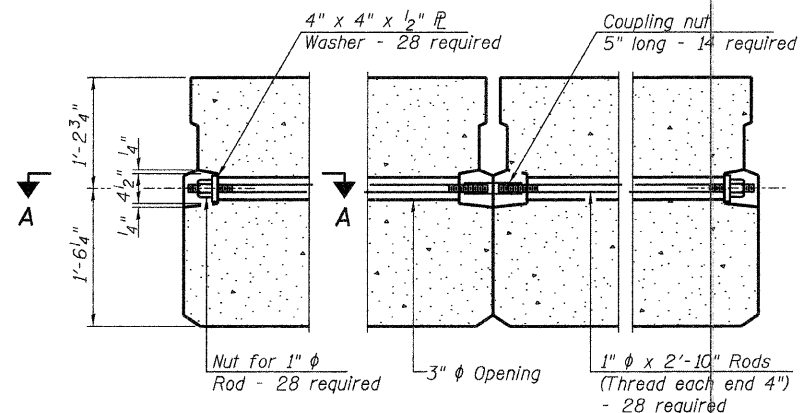
FABRIC BEARING PAD
(Interior) **FABRIC BEARING PAD**
(Exterior)

FIXED

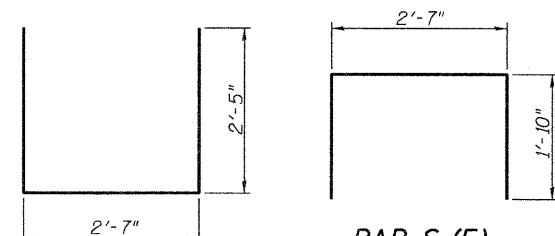
Note: All bearing pads shall be 1" thick.



SECTION A-A



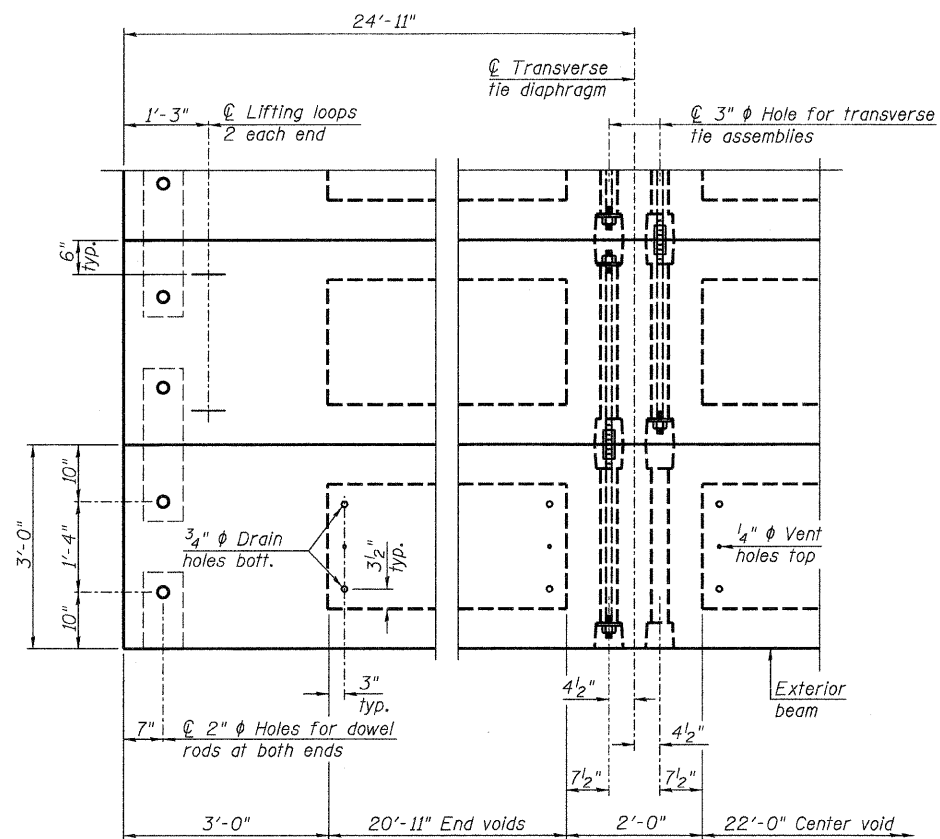
TYPICAL TRANSVERSE TIE ASSEMBLY



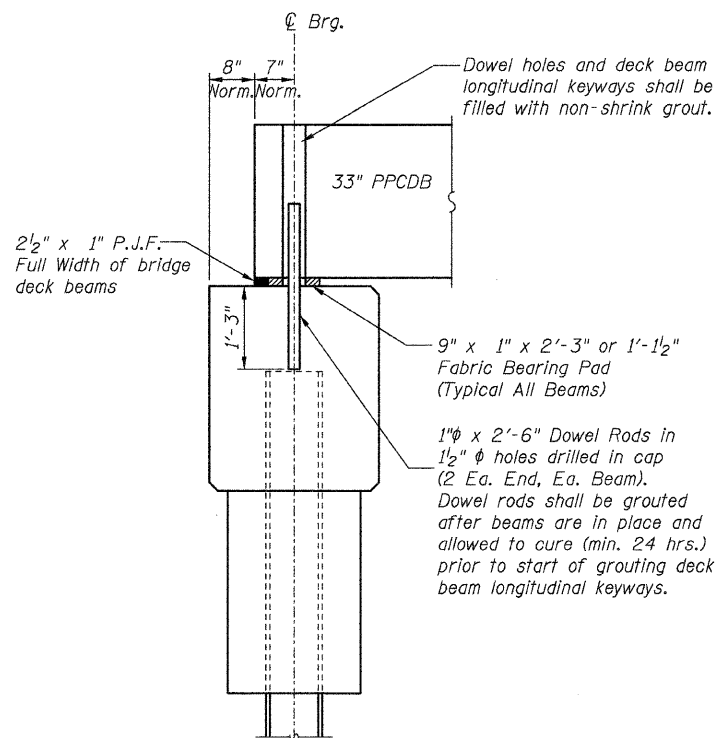
BAR S1(E)

BAR S2(E)

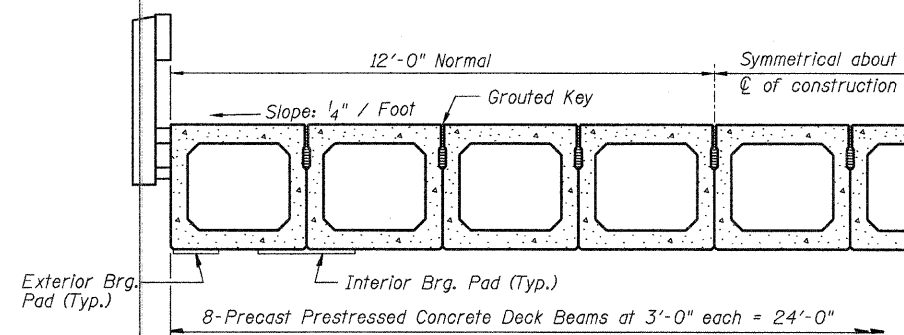
BAR U1(E)



PLAN VIEW



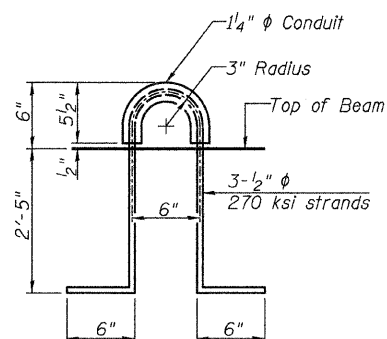
FIXED BEARING ABUTMENT



HALF CROSS SECTION

See Sheet 7 for the details showing the spacing and mounting of posts and rails to the PPCDB.

Note: Connect beams in pairs with the transverse tie configuration shown.



LIFTING LOOP DETAIL

NOTES

- Prestressing steel shall be uncoated high strength, low relaxation 7-wire strand, Grade 270. The nominal diameter shall be 1/2" and the nominal cross-sectional area shall be 0.153 sq. in.
- The 1" rods in the transverse tie assembly shall be tightened to a snug fit and the threads set. Pockets on exterior faces of bridge shall be filled with grout after transverse tie assembly is in place.
- Reinforcement bars shall conform to the requirements of ASTM A 706 Grade 60 (IL Modified).
- Two 1/8" fabric adjusting shims of the dimensions of the exterior bearing pad shall be provided for each bearing pad location.
- A minimum 2 1/2" diameter lifting pin shall be used to engage the lifting loops during handling.
- Corrosion Inhibitor, per Article 1020.05(b)(12) and 1021.06 of the Standard Specifications, shall be used in the concrete for precast prestressed concrete deck beams.
- Compressive strength of prestressed concrete, f'c, shall be 6000 psi.
- Compressive strength of prestressed concrete at release, f'ci, shall be 5000 psi.

BILL OF MATERIAL

Precast Prestressed Conc. Deck Bms. (33" depth)	Sq. Ft.	1772
---	---------	------

**33" X 36" PPC DECK BEAM DETAILS
STRUCTURE NO. 013-3237**

ROUTE	SECTION	COUNTY	TOTAL SHEETS	SHEET NO.
TR 19	07-01116-00-BR	CLAY	11	6
CONTRACT NO. 95651				
ILLINOIS FED. AID PROJECT				