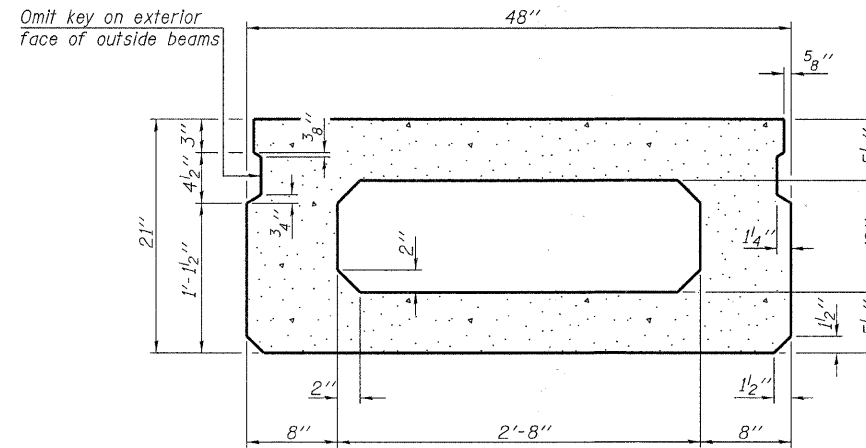
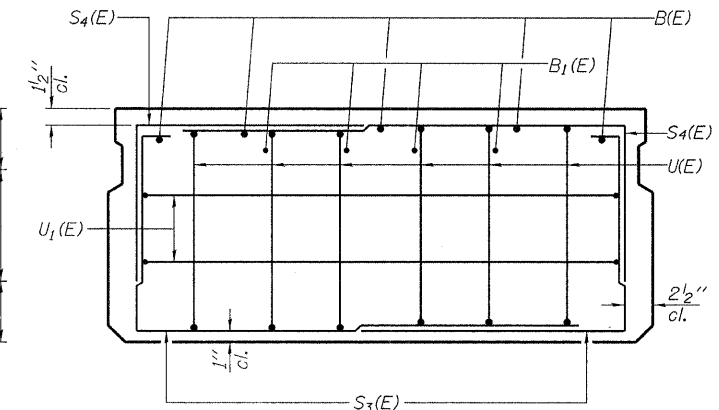


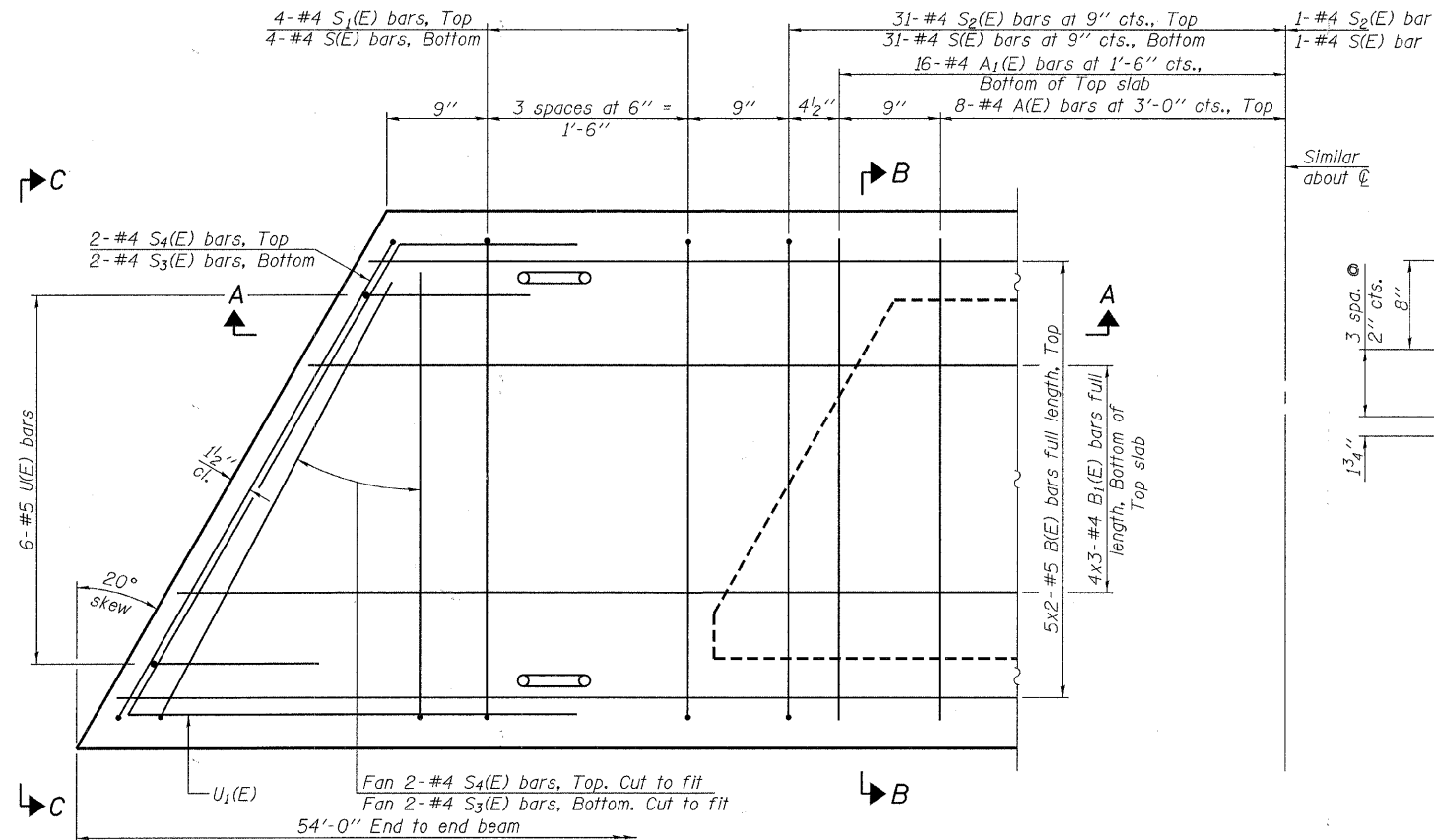
SECTION A-A



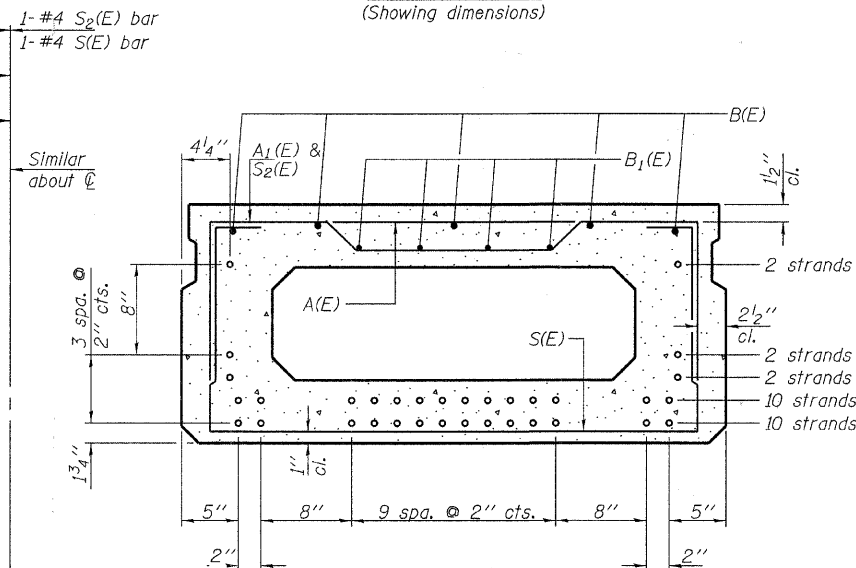
SECTION B-B
(Showing dimensions)



VIEW C-C



PLAN VIEW



SECTION B-B
(Showing reinforcement and permissible strand locations)
Note: Place the number of strands specified in each row symmetrically about the centerline of beam in the permissible strand locations shown.

BAR LIST
ONE BEAM ONLY
(For information only)

Bar	No.	Size	Length	Shape
A(E)	16	#4	3'-7"	—
A1(E)	32	#4	3'-10"	—
B(E)	10	#5	28'-2"	—
B1(E)	12	#4	19'-3"	—
S(E)	71	#4	7'-5"	⌌
S1(E)	8	#4	5'-11"	⌌
S2(E)	63	#4	6'-2"	⌌
S3(E)	8	#4	4'-9"	⌌
S4(E)	8	#4	4'-0"	⌌
U(E)	12	#5	4'-0"	⌌
U1(E)	4	#4	7'-6"	⌌

Note: See sheet 3 & 4 of 10 for additional details and Bill of Material.

Notes: Spacing of S(E) and S2(E) bars may be adjusted up to 4" in the immediate area of the transverse tie diaphragms to miss the block outs for the transverse ties.

Bars indicated thus 5x2-#5 etc. indicates 5 lines of bars with 2 lengths per line.

MINIMUM BAR LAP

#4 bar = 2'-0"
#5 bar = 2'-6"

PD-2148-L

7-1-10

FILE NAME = 070476-ah-bridge.dgn	USER NAME =	DESIGNED - D.W.T.	REVISED -
HAMPTON, LENZINI AND RENWICK, INC. 3033 STEVENSON DRIVE, SUITE 201 SPRINGFIELD, ILLINOIS 62703		CHECKED - S.W.M.	REVISED -
ELR ILLINOIS PROFESSIONAL DESIGN FIRM 153 FIVE STAR CORP. 114 00099	PLOT SCALE =	DRAWN - D.T.M.	REVISED -
	PLOT DATE = 4/4/2011	CHECKED - S.W.M.	REVISED -

STATE OF ILLINOIS
SHELBY COUNTY HIGHWAY DEPARTMENT

21" x 48" PPC DECK BEAM
STRUCTURE NO. 087-3572

SHEET NO. 2 OF 10 SHEETS

T.R.	SECTION	COUNTY	TOTAL SHEETS	SHEET NO.
373	07-04121-00-BR	SHELBY	18	10
COLD SPRING ROAD DISTRICT			CONTRACT NO. 95656	
ILLINOIS FED. AID PROJECT BR05-173(174)				