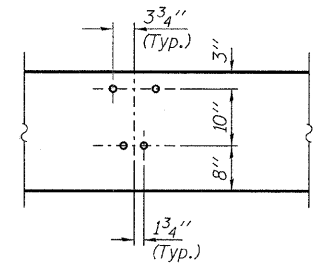
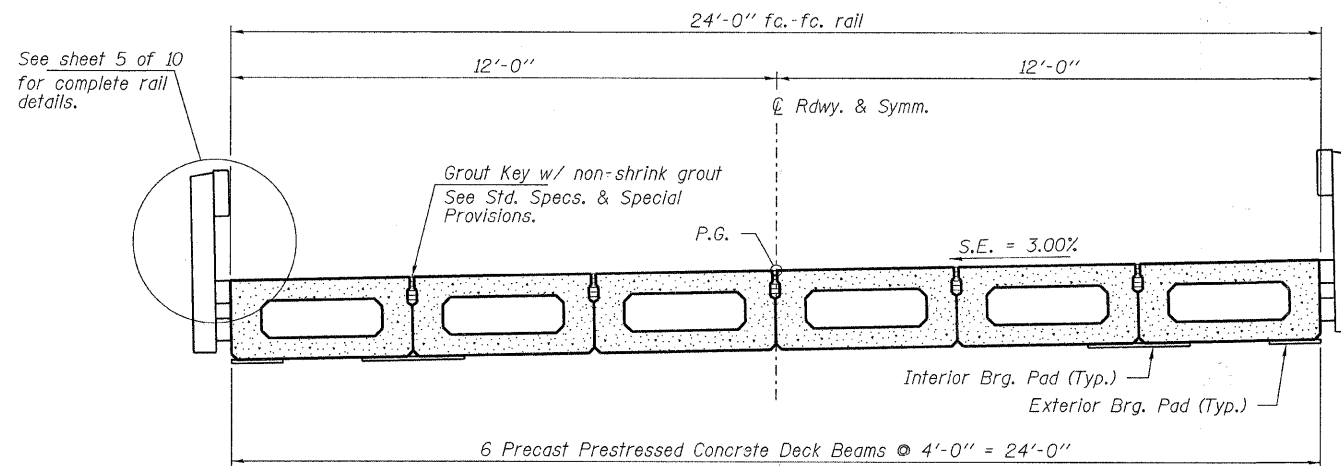


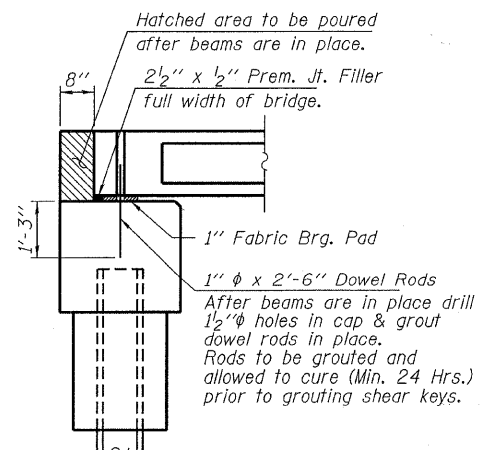
ELEVATION
Showing Rail Post Spacing
See sheet 5 of 10 for Railing Details.



DETAIL A



CROSS SECTION
See sheets 2 & 3 of 10 for Superstructure.



SECTION AT ABUTMENTS
@ Rt. L's

FILE NAME = 070476-sht-bridge.dgn	USER NAME =	DESIGNED - D.W.T.	REVISED -
HAMPTON, LENZINI AND RENWICK, INC. 3300 STEVENSON DRIVE, SUITE 201 SPRINGFIELD, ILLINOIS 62703		CHECKED - S.W.M.	REVISED -
ILLINOIS PROFESSIONAL DESIGN FIRM L.S./P.E./S.E. CORP. 184-000968	PLOT SCALE =	DRAWN - D.T.M.	REVISED -
	PLOT DATE = 4/4/2011	CHECKED - S.W.M.	REVISED -

STATE OF ILLINOIS
SHELBY COUNTY HIGHWAY DEPARTMENT

SUPERSTRUCTURE DETAILS
STRUCTURE NO. 087-3572

SHEET NO. 4 OF 10 SHEETS

T.R.	SECTION	COUNTY	TOTAL SHEETS	SHEET NO.
373	07-04121-00-BR	SHELBY	18	12
COLD SPRING ROAD DISTRICT		CONTRACT NO. 95656		
ILLINOIS FED. AID PROJECT BR05-173(174)				