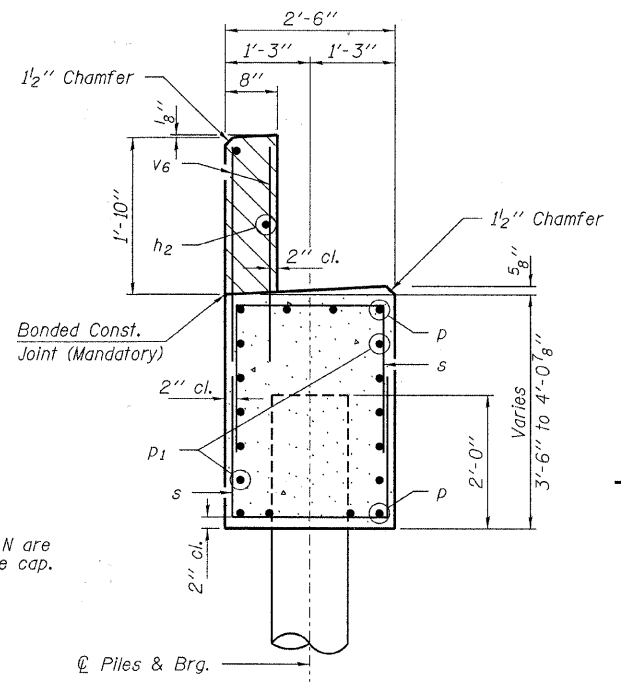


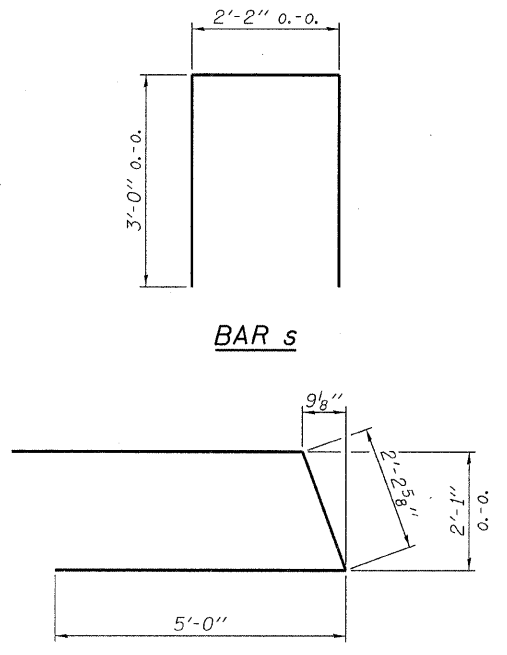
PLAN

Note: Elevations in PLAN are to top of concrete cap.



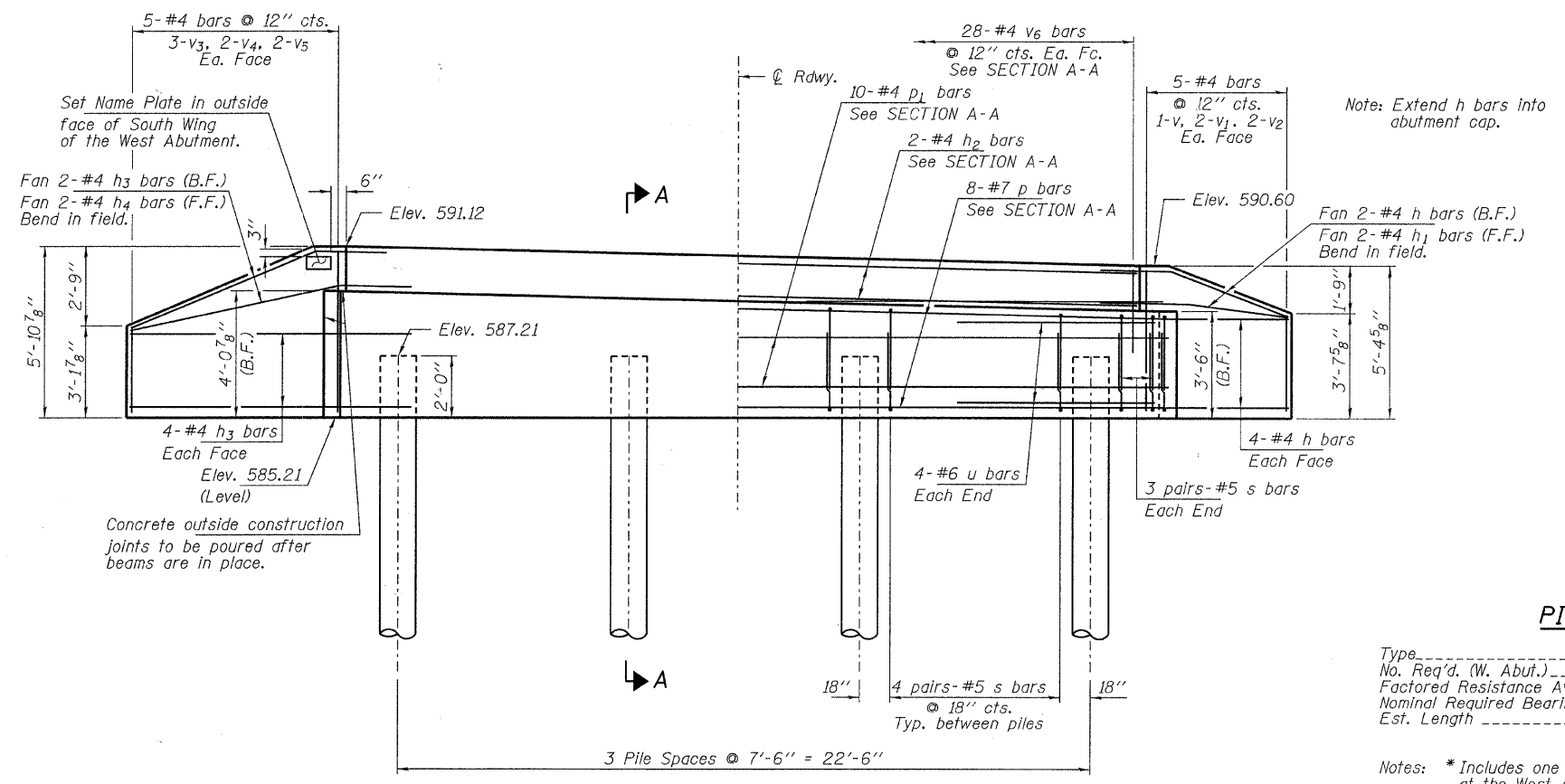
SECTION A-A

Hatched area to be poured after beams are in place.



BAR s

BAR u



ELEVATION
(Looking West)

Note: Extend h bars into abutment cap.

PILE DATA

Type ----- Metal Shell Piles 12"x0.250"
 No. Req'd. (W. Abut.) ----- 4
 Factored Resistance Available (Rf) ----- 167 Kips/Pile
 Nominal Required Bearing (Rn) ----- 334 Kips/Pile
 Est. Length ----- 60 Ft/Pile

Notes: * Includes one test pile to be driven in permanent location, at the West Abutment.
 The test piles shall be driven to 110 percent of the Nominal Required Bearing indicated in the pile data information.

BILL OF MATERIAL - W. ABUT.

BAR	NO.	SIZE	LENGTH	SHAPE
h	10	#4	5'-9"	—
h1	2	#4	4'-3"	—
h2	2	#4	26'-10"	—
h3	10	#4	7'-9"	—
h4	2	#4	6'-3"	—
p	8	#7	26'-10"	—
p1	10	#4	26'-10"	—
s	36	#5	8'-2"	□
u	8	#6	12'-3"	U
v	2	#4	5'-0"	—
v1	4	#4	4'-4"	—
v2	4	#4	3'-4"	—
v3	6	#4	2'-10"	—
v4	4	#4	4'-6"	—
v5	4	#4	5'-6"	—
v6	56	#4	2'-8"	—
Concrete Structures			Cu. Yd.	12.4
Reinforcement Bars			Pound	1,375
Metal Shell Piles 12"x0.250"			Foot	180
Test Pile Metal Shell			Each	1
Name Plates			Each	1

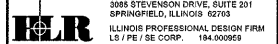
FILE NAME = 070476-ah-bridge.dgn
 USER NAME =
 DESIGNED - D.W.T.
 CHECKED - S.W.M.
 DRAWN - D.T.M.
 CHECKED - S.W.M.
 PLOT SCALE =
 PLOT DATE = 4/4/2011

DESIGNED - D.W.T.
 CHECKED - S.W.M.
 DRAWN - D.T.M.
 CHECKED - S.W.M.
 REVISED -
 REVISED -
 REVISED -
 REVISED -

STATE OF ILLINOIS
SHELBY COUNTY HIGHWAY DEPARTMENT

WEST ABUTMENT
STRUCTURE NO. 087-3572
 SHEET NO. 6 OF 10 SHEETS

T.R.	SECTION	COUNTY	TOTAL SHEETS	SHEET NO.
373	07-04121-00-BR	SHELBY	18	14
COLD SPRING ROAD DISTRICT			CONTRACT NO. 95656	
[ILLINOIS] FED. AID PROJECT BROS-173(174)				



ILLINOIS PROFESSIONAL DESIGN FIRM
 LS / PE / SE CORP. 184-000969