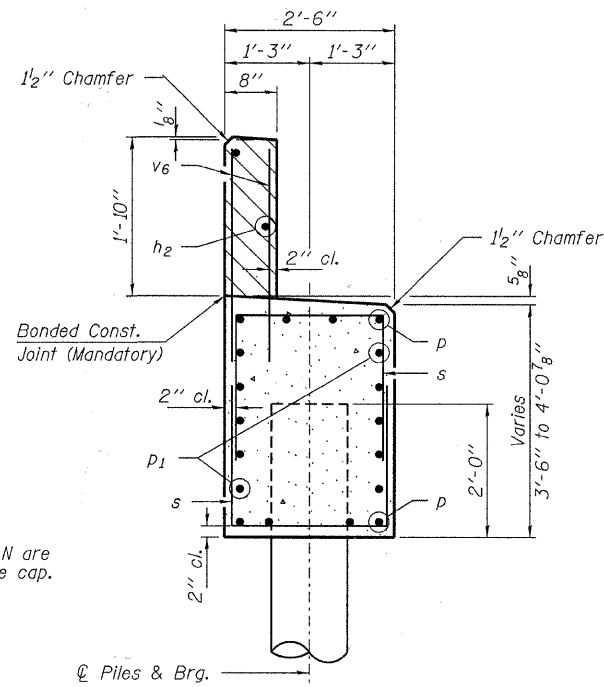


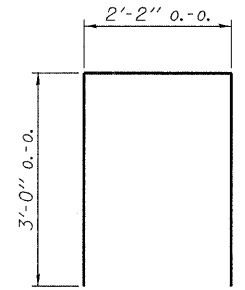
**PLAN**

Note: Elevations in PLAN are to top of concrete cap.

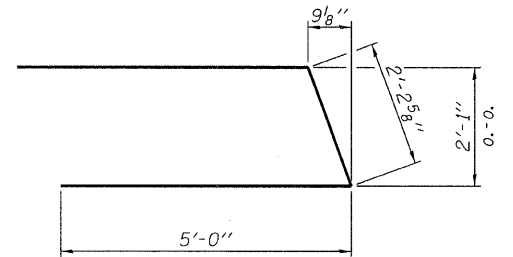


**SECTION A-A**

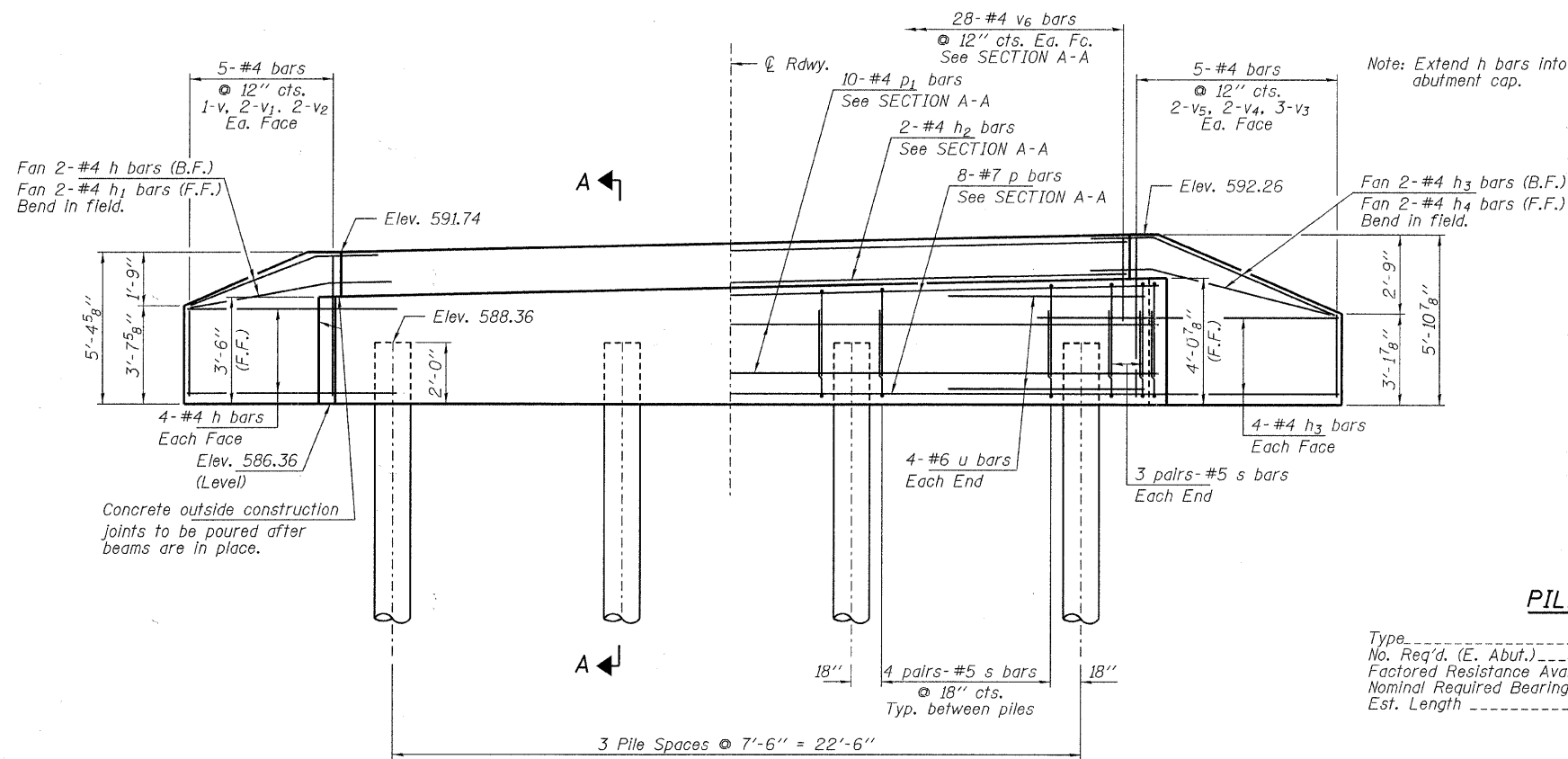
Hatched area to be poured after beams are in place.



**BAR s & s**



**BAR u**



**ELEVATION**  
(Looking East)

Note: Extend h bars into abutment cap.

**PILE DATA**

Type ----- Metal Shell Piles 12"x0.250"  
 No. Req'd. (E. Abut.) ----- 4  
 Factored Resistance Available (Rf) ----- 167 Kips/Pile  
 Nominal Required Bearing (Rn) ----- 334 Kips/Pile  
 Est. Length ----- 60 Ft/Pile

**BILL OF MATERIAL - E. ABUT.**

BAR	NO.	SIZE	LENGTH	SHAPE
h	10	#4	5'-9"	—
h1	2	#4	4'-3"	—
h2	2	#4	26'-10"	—
h3	10	#4	7'-9"	—
h4	2	#4	6'-3"	—
p	8	#7	26'-10"	—
p1	10	#4	26'-10"	—
s	36	#5	8'-2"	□
u	8	#6	12'-3"	▤
v	2	#4	5'-0"	—
v1	4	#4	4'-4"	—
v2	4	#4	3'-4"	—
v3	6	#4	2'-10"	—
v4	4	#4	4'-6"	—
v5	4	#4	5'-6"	—
v6	56	#4	2'-8"	—
Concrete Structures			Cu. Yd.	12.4
Reinforcement Bars			Pound	1,375
Metal Shell Piles 12"x0.250"			Foot	240

FILE NAME = 070476-sht-bridge.dgn	USER NAME =	DESIGNED - D.W.T.	REVISED -
HAMPTON, LENZINI AND RENWICK, INC. 2006 STEVENSON DRIVE, SUITE 201 SPRINGFIELD, ILLINOIS 62763	PLOT SCALE =	CHECKED - S.W.M.	REVISED -
ILLINOIS PROFESSIONAL DESIGN FIRM L31 P/R/SB CORP. 184-000969	PLOT DATE = 4/1/2011	DRAWN - D.T.M.	REVISED -
		CHECKED - S.W.M.	REVISED -

**STATE OF ILLINOIS**  
**SHELBY COUNTY HIGHWAY DEPARTMENT**

**EAST ABUTMENT**  
**STRUCTURE NO. 087-3572**

SHEET NO. 7 OF 10 SHEETS

T.R.	SECTION	COUNTY	TOTAL SHEETS	SHEET NO.
373	07-04121-00-BR	SHELBY	18	15
COLD SPRING ROAD DISTRICT			CONTRACT NO. 95656	
[ILLINOIS] FED. AID PROJECT BROS-173(174)				