

SUMMARY OF QUANTITIES

ITEM	UNIT	QUANTITY
20100110	TREE REMOVAL (6 TO 15 UNITS DIAMETER)	UNIT 76
20100210	TREE REMOVAL (OVER 15 UNITS DIAMETER)	UNIT 120
20200100	EARTH EXCAVATION	CU YD 73
20300100	CHANNEL EXCAVATION	CU YD 141
20400800	FURNISHED EXCAVATION	CU YD 1447
25000200	SEEDING, CLASS 2	ACRE 0.5
25000400	NITROGEN FERTILIZER NUTRIENT	POUND 45
25000500	PHOSPHORUS FERTILIZER NUTRIENT	POUND 45
25000600	POTASSIUM FERTILIZER NUTRIENT	POUND 45
25100115	MULCH, METHOD 2	ACRE 1.0
28000250	TEMPORARY EROSION CONTROL SEEDING	POUND 50
28000400	PERIMETER EROSION BARRIER	FOOT 1258
28100107	STONE RIPRAP, CLASS A4	SQ YD 195
28200200	FILTER FABRIC	SQ YD 195
30200650	PROCESSING MODIFIED SOIL 12"	SQ YD 1731
30201700	PORTLAND CEMENT	TON 74
40200800	AGGREGATE SURFACE COURSE, TYPE B	TON 85
40600100	BITUMINOUS MATERIALS (PRIME COAT)	GALLON 187
40603080	HOT-MIX ASPHALT BINDER COURSE, IL-19.0, N50	TON 483
40603310	HOT-MIX ASPHALT SURFACE COURSE, MIX "C", N50	TON 161
44000100	PAVEMENT REMOVAL	SQ YD 1140
44000400	GUTTER REMOVAL	FOOT 1182
48203029	HOT-MIX ASPHALT SHOULDERS, 8"	SQ YD 17
50100100	REMOVAL OF EXISTING STRUCTURES	EACH 1
50300225	CONCRETE STRUCTURES	CU YD 140.1
50300260	BRIDGE DECK GROOVING	SQ YD 360
50300280	CONCRETE ENCASEMENT	CU YD 8.4
50300300	PROTECTIVE COAT	SQ YD 461
50400505	PRECAST PRESTRESSED CONCRETE DECK BEAMS (27" DEPTH)	SQ FT 3510
50800205	REINFORCEMENT BARS, EPOXY COATED	POUND 17670
51201400	FURNISHING STEEL PILES HP10X42	FOOT 533
51202305	DRIVING PILES	FOOT 533
51203400	TEST PILE STEEL HP10X42	EACH 2
51500100	NAME PLATES	EACH 1
58300100	PORTLAND CEMENT MORTAR FAIRING COURSE	FOOT 1055
59300100	CONTROLLED LOW-STRENGTH MATERIAL	CU YD 49.4
60602800	CONCRETE GUTTER, TYPE B	FOOT 1024
60603400	GUTTER OUTLET (SPECIAL)	EACH 4
67100100	MOBILIZATION	L SUM 1
X0325862	CONCRETE BRIDGE RAILING	FOOT 238
X5020501	UNDERWATER STRUCTURE EXCAVATION PROTECTION - LOCATION 1	EACH 1
X5020502	UNDERWATER STRUCTURE EXCAVATION PROTECTION - LOCATION 2	EACH 1
X5030305	CONCRETE WEARING SURFACE, 5"	SQ YD 391
X6640304	CHAIN LINK FENCE TO BE REMOVED AND RE-ERECTED	FOOT 130

* SEE SPECIAL PROVISIONS

GENERAL NOTES

EXISTING SUBGRADE SOIL WAS ASSUMED TO BE SUITABLE FOR PORTLAND CEMENT MODIFICATION. THE EXISTING PAVEMENT SHALL BE BROKEN AT LOCATIONS INDICATED ON THE PLANS AND IN ACCORDANCE WITH ARTICLE 205.03 OF THE STANDARD SPECIFICATIONS. PAVEMENT BREAKING WILL NOT BE PAID FOR SEPARATELY BUT SHALL BE CONSIDERED AS INCLUDED IN THE COST OF FURNISHED EXCAVATION. THE DESIGNER HAS MADE NO PROVISIONS IN THE QUANTITY OF FURNISHED EXCAVATION FOR THE REPLACEMENT OF THE PAVEMENT THAT HAS BEEN INDICATED TO REMAIN. ALL EXISTING GUTTER WITHIN THE CONSTRUCTION LIMITS SHALL BE REMOVED. THE AREA TO BE SEEDED SHALL CONSIST OF ALL DISTURBED EARTH SURFACES WITHIN THE RIGHT-OF-WAY AS DIRECTED BY THE ENGINEER. ALL TREES THAT INTERFERE WITH CONSTRUCTION SHALL BE REMOVED ONLY AT THE DIRECTION OF THE ENGINEER.

AGGREGATE SURFACE COURSE, TYPE B IS FOR TEMPORARY SURFACING UNTIL A PERMANENT PARKING AREA IS CONSTRUCTED BY OTHERS.

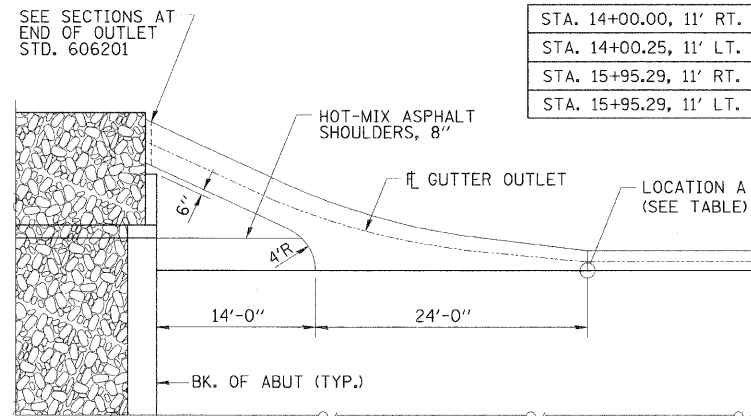
IT SHALL BE THE CONTRACTOR'S RESPONSIBILITY TO DETERMINE THE ACTUAL LOCATION OF ALL UNDERGROUND UTILITY FACILITIES. HE SHALL ALSO OBTAIN FROM THE RESPECTIVE UTILITY COMPANIES DETAILED INFORMATION RELATIVE TO THE LOCATION OF THEIR FACILITIES AND THE WORKING SCHEDULES OF THE UTILITY COMPANIES FOR THEIR MARKING OF THE EXACT LOCATION.

APPLICATION RATES

GRANULAR MATERIALS	2.05	TONS/CU. YD.
STONE RIPRAP	1.50	TONS/CU. YD.
BITUMINOUS MATERIALS PRIME COAT	0.10	GALS./S.Y. (ON SOIL, PRIOR TO BINDER)
BITUMINOUS MATERIALS PRIME COAT	0.03	GALS./S.Y. (ON BINDER, PRIOR TO SURFACE)
HOT-MIX ASPHALT	112	LBS./S.Y./INCH THICKNESS
FERTILIZER NUTRIENTS	90	LBS./ACRE
MULCH METHOD 2	2	TONS/ACRE
PORTLAND CEMENT (MODIFIED SOIL)	85	LBS./S.Y.

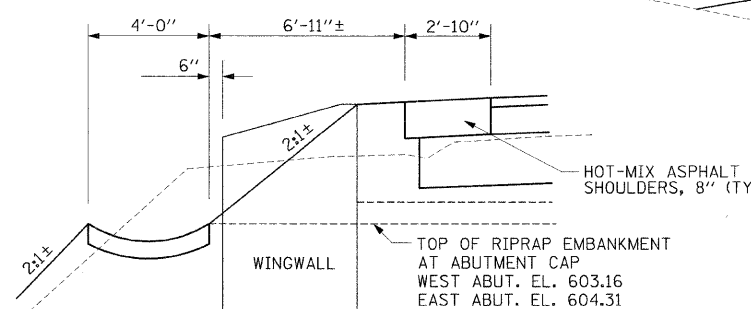
LOCATION A

STA. 14+00.00, 11' RT.
STA. 14+00.25, 11' LT.
STA. 15+95.29, 11' RT.
STA. 15+95.29, 11' LT.



GUTTER OUTLET (SPECIAL) DETAIL

(WORK THIS DETAIL WITH STD. 606201)

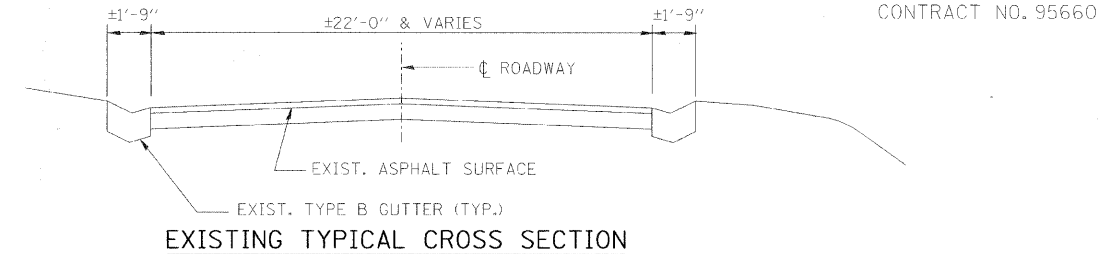


SECTION AT OUTLET LOCATION

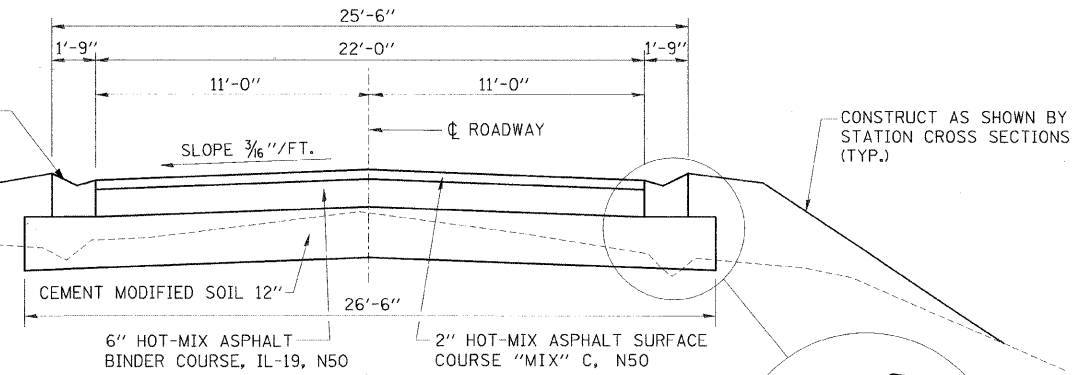
STA. 14+38.13 LT. AS SHOWN, RT. OPP. HAND
STA. 15+57.29 LT. AS SHOWN, RT. OPP. HAND

BITUMINOUS MIXTURE REQUIREMENTS

LOCATION	CH 32	CH 32
MIX USE	BINDER	SURFACE
AC/PG	PG 64-22	PG 64-22
RAP %	25	15
DESIGN VOIDS	4.0 @ N=50	4.0 @ N=50
MIXTURE COMPOSITION (GRAD. MIXTURE)	IL-19.0	IL-9.5
FRICTION	N/A	MIX C

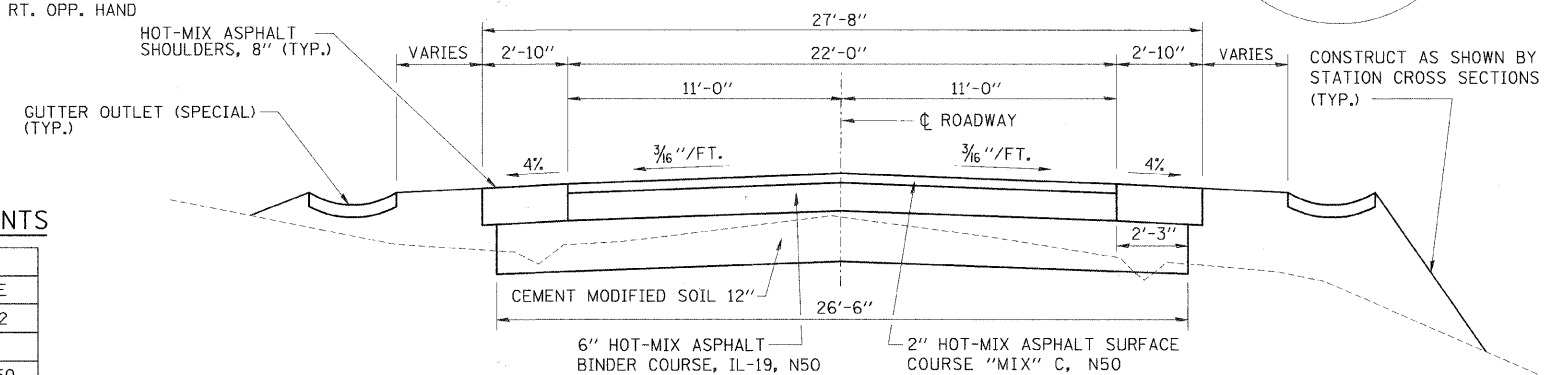


EXISTING TYPICAL CROSS SECTION



PROPOSED TYPICAL CROSS SECTION - T.R. 939

STA. 11+78.98 TO STA. 14+24.13
STA. 15+71.29 TO STA. 17+86.19
(TRANSITION STA. 11+28.98 TO STA. 11+78.98
(TRANSITION STA. 17+86.19 TO STA. 18+36.19



PROPOSED TYPICAL CROSS SECTION - T.R. 939

STA. 14+24.13 TO STA. 14+38.13
STA. 15+57.29 TO STA. 15+71.29
(ALSO SEE SECTION AT OUTLET LOCATION)

ROADWAY QUANTITY SCHEDULE

LOCATION	PROCESS MOD SOIL 12 (SQ YD)	PORTLAND CEMENT (TON)	BITUMINOUS MATERIALS (PRIME COAT) (GAL)	HMA BC IL-19.0 N50 (TON)	HMA SC "C" N50 (TON)	PAVEMENT REMOVAL (SQ YD)	GUTTER REMOVAL (FT)	CONCRETE GUTTER, TYPE B (FT)	GUTTER OUTLET (SPECIAL) (EA)	HOT-MIX ASPHALT SHOULDERS, 8" (SQ YD)
M.L. STA. 11+28.98 TO STA. 14+38.13	907	39	98	253	84	703	606	542	2	8.5
M.L. STA. 15+57.29 TO STA. 18+36.19	824	35	89	230	77	437	576	482	2	8.5
TOTALS	1731	74	187	483	161	1140	1182	1024	4	17

SUM. OF QTY'S, GEN. NOTES & TYP. SECTIONS

Date	Designed DCS	T.R. 939 (PARK DRIVE) OVER STEVENS CREEK SECTION 10-P4000-00-BR DECATUR PARK DISTRICT STA. 14+97.71 PROP. STR. NO. 058-9201
Revisions	Drawn BKN	
	Checked KWB	
	Approved KWB	
Prepared by:	URS 345 East Ash Avenue Decatur, IL 62526	URS Job No. 36432943