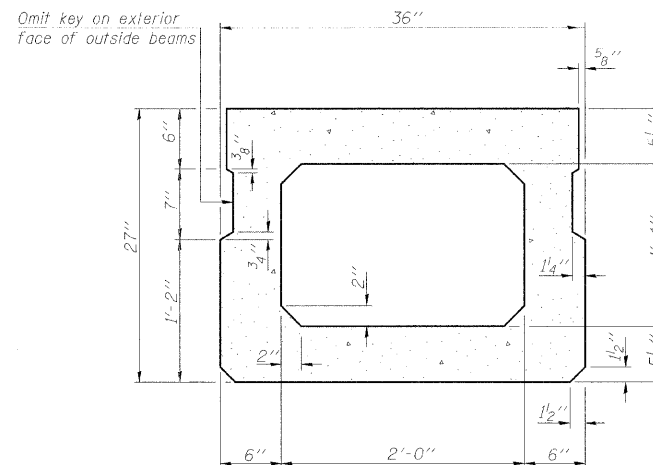
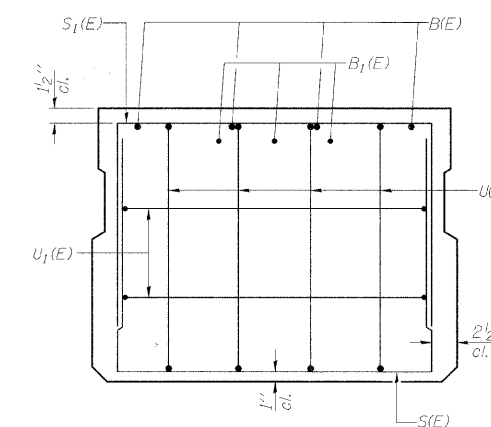


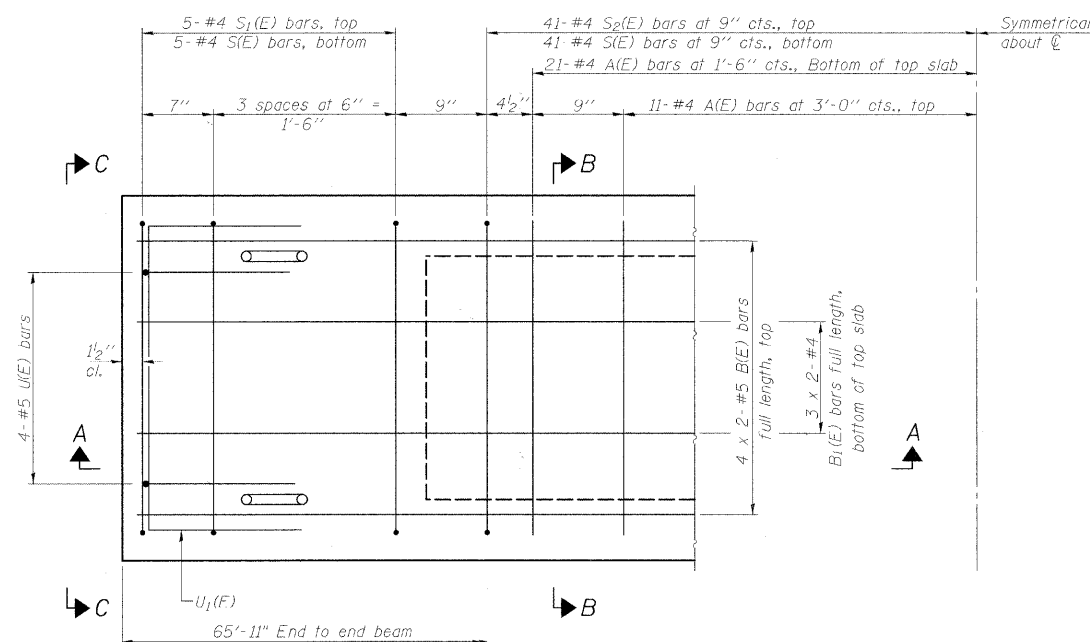
SECTION A-A



SECTION B-B
(Showing dimensions)



VIEW C-C

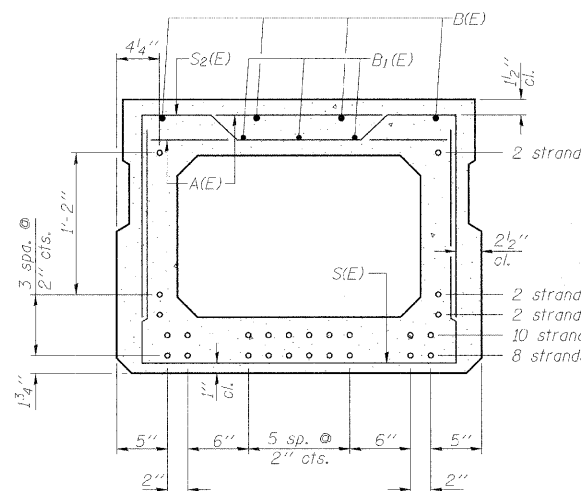


PLAN VIEW

Note: Spacing of S(E) and S2(E) bars may be adjusted up to 4" in the immediate area of the transverse tie diaphragms to miss the block outs for the transverse ties.

MINIMUM BAR LAP

#4 bar = 2'-0"
#5 bar = 2'-6"



SECTION B-B

(Showing reinforcement and permissible strand locations)
Note: Place the number of strands specified in each row symmetrically about the centerline of beam in the permissible strand locations shown.

**BAR LIST
ONE BEAM ONLY**
(For information only)

Bar	No.	Size	Length	Shape
A(E)	62	#4	2'-7"	—
B(E)	8	#5	34'-1"	—
B1(E)	6	#4	33'-10"	—
S(E)	91	#4	6'-5"	—
S1(E)	10	#4	5'-11"	□
S2(E)	81	#4	6'-2"	□
U(E)	8	#5	4'-6"	□
U1(E)	4	#4	5'-0"	□

Notes:
See sheet 5 of 13 for additional details and Bill of Material.
Bars indicated thus 3 x 2-#4 etc. indicates 3 lines of bars with 2 lengths per line.

**27" x 36" PPC DECK BEAM
STRUCTURE NO. 058-9201**

PPC DECK BEAM (SPAN 2)

Date	Designed DCS	TR-939 (PARK DRIVE) OVER STEVENS CREEK SECTION 10-P4000-00-BR DECATUR PARK DISTRICT STA. 14+97.71 PROP. STR. NO. 058-9201	Sheet No.
Revisions	Drawn BKN		4
	Checked KWB		
	Approved KWB		
Prepared by:	URS 345 East Ash Avenue Decatur, IL 62526		
		URS Job No.	36432943