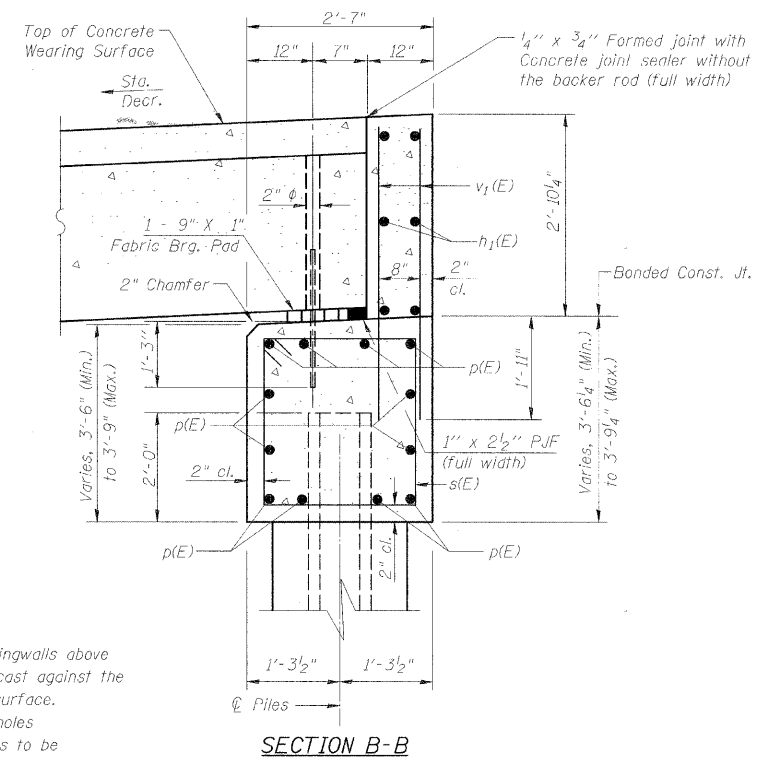
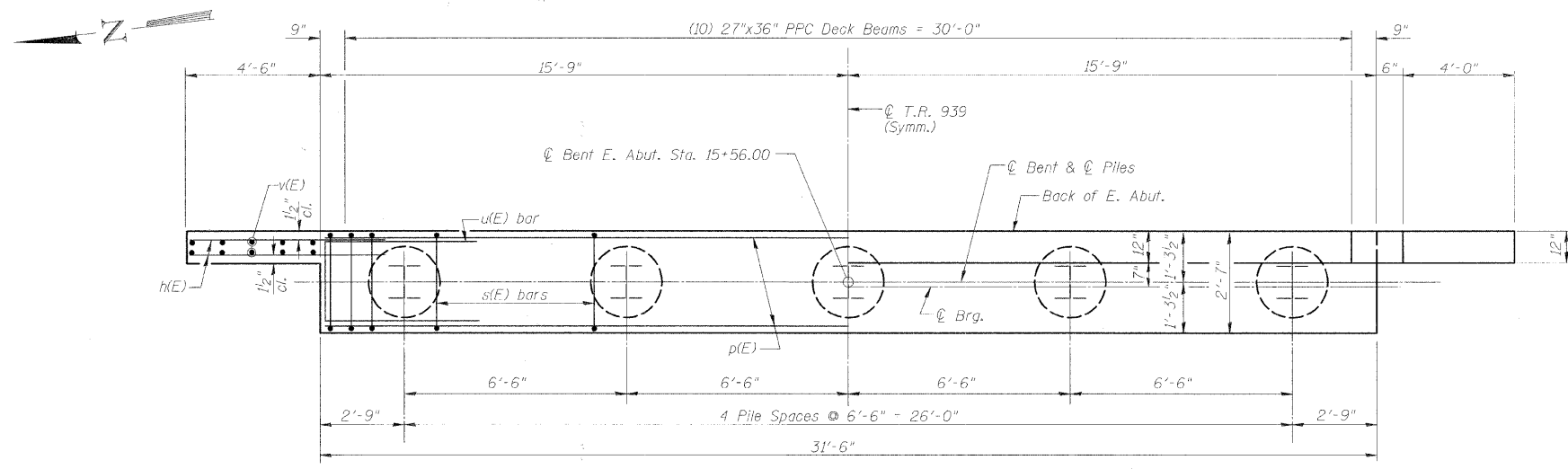
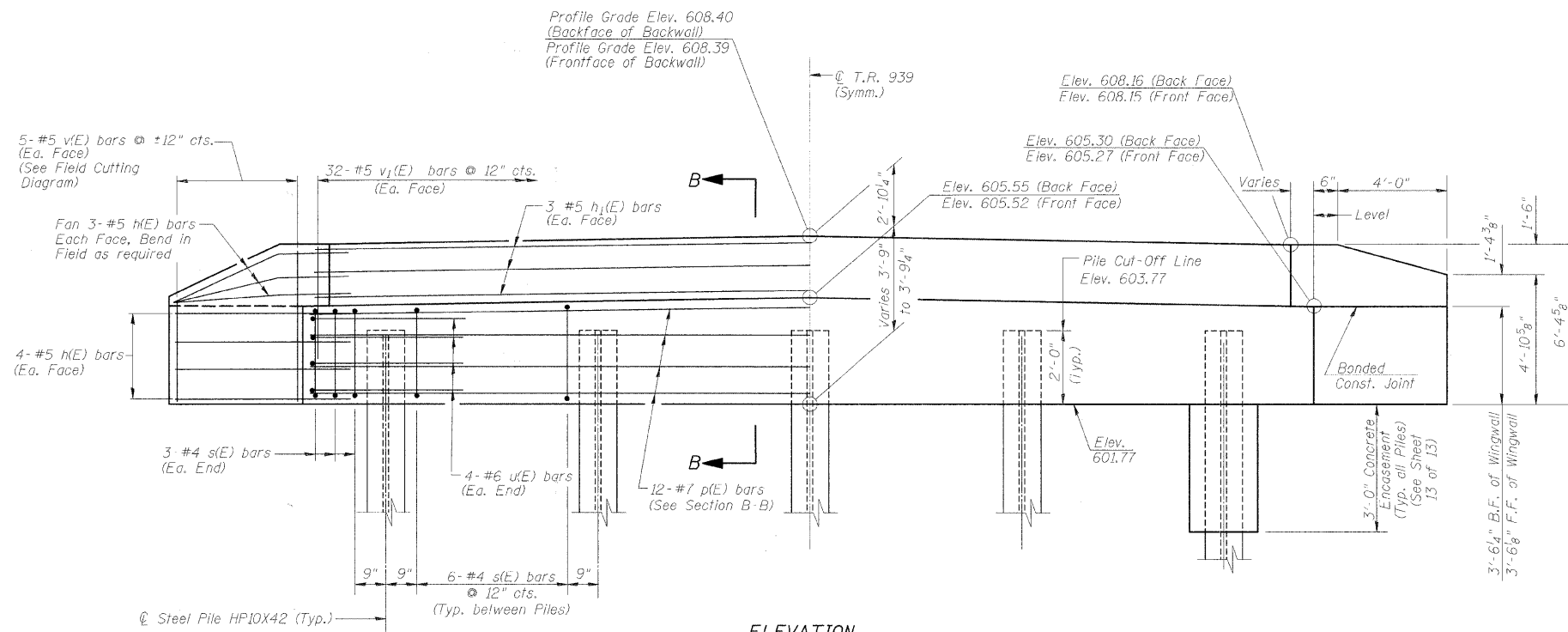


ROUTE NO.	SECTION	COUNTY	TOTAL SHEETS	SHEET NO.
T.R. 939	10-P4000-00-BR	MACON	21	18
FED. ROAD DIST. NO.	ILLINOIS PROJECT:		CONTRACT NO. 95660	



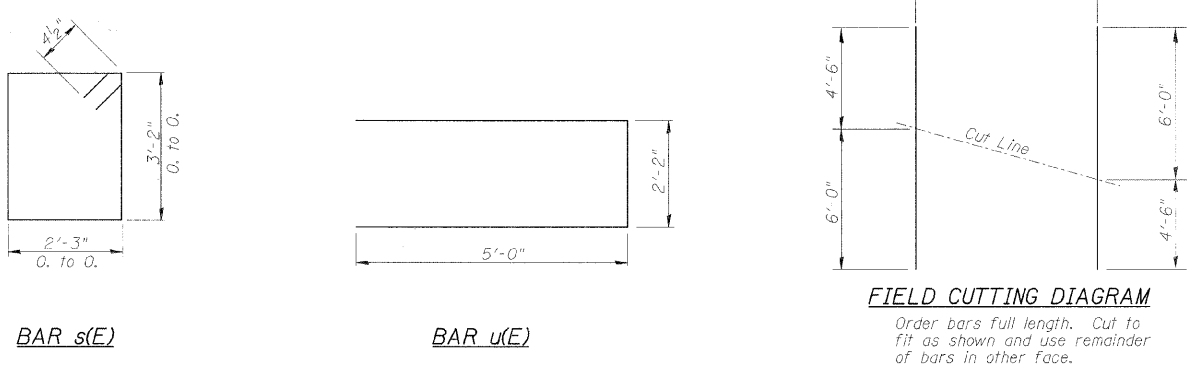
- NOTES**
- The Backwall and the portion of the Wingwalls above the bonded construction joint shall be cast against the in-place beams and concrete wearing surface.
 - 1" dia. x 2'-6" dowel rods in 1 1/2" dia. holes drilled in cap (2 ea. beam). Dowel rods to be grouted after beams are in place and allowed to cure (min. 24 hrs.) prior to grouting the shear keys. The grout shall be an approved non-shrink grout.
 - Reinforcement bars designated (E) shall be epoxy coated.
 - Reinforcement bars shall conform to the requirements of A.S.T.M. A706 Grade 60. See Special Provisions.
 - Space reinforcement in cap to miss dowel rods.
 - The Contractor shall drive test piles to 110 Percent of the Nominal Required Bearing indicated in the Pile Data Information before ordering the remainder of the piles.

DESIGN STRESSES
 $f'_c = 3,500 \text{ psi}$
 $f_y = 60,000 \text{ psi}$

PILE DATA
 Type & Size: HP10x42
 Nominal Required Bearing: 335 Kips
 Factored Resistance Available: 184 Kips (Refusal)
 Est. Length: 28'-0"
 No. Required: 4 Plus 1 Permanent Test Pile

BILL OF MATERIAL

Bar	No.	Size	Length	Shape	
v(E)	28	#5	6'-9"	—	
h1(E)	6	#5	31'-2"	—	
p(E)	12	#7	31'-2"	—	
s(E)	30	#4	11'-7"	□	
u(E)	8	#6	12'-2"	□	
v1(E)	10	#5	10'-6"	—	
v2(E)	64	#5	4'-8"	—	
Concrete Structures				Cu. Yd.	16.2
Concrete Encasement				Cu. Yd.	1.8
Reinforcement Bars, Epoxy Coated				Pound	1960
Furnishing Steel Piles HP10x42				Foot	112
Driving Piles				Foot	112
Test Pile Steel HP10x42				Each	1



EAST ABUTMENT			Sheet No.
Date	Designed DCS	TR-939 (PARK DRIVE) OVER STEVENS CREEK SECTION 10-P4000-00-BR DECATUR PARK DISTRICT STA. 14+97.71 PROP. STR. NO. 058-9201	10 of 13
Revisions	Drawn BKN		
	Checked KWB		
	Approved KWB		
Prepared by: URS 345 East Ash Avenue Decatur, IL 62526			URS Job No. 36432943