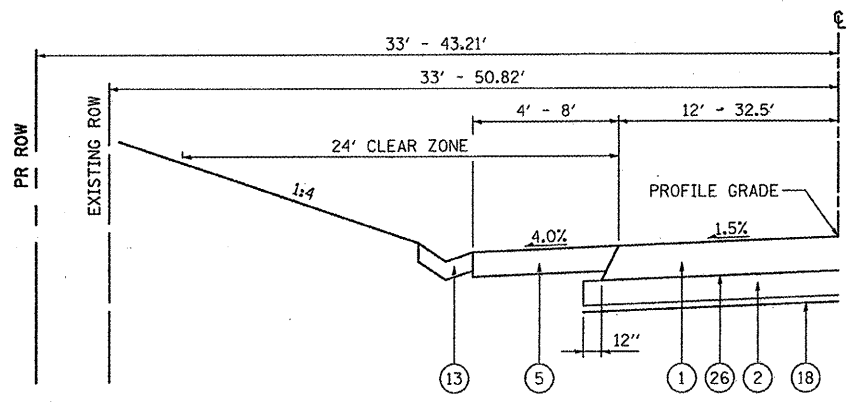


F.A.U. RTE.	SECTION	COUNTY	TOTAL SHEETS	SHEET NO.
9266	06-00062-06-PV	ST. CLAIR	80	9
FHWA REG. NO. 7 ILLINOIS		PROJECT NO. RS-0163(035)		
FEDERAL AID PROJECT		CONTRACT NO. 97457		

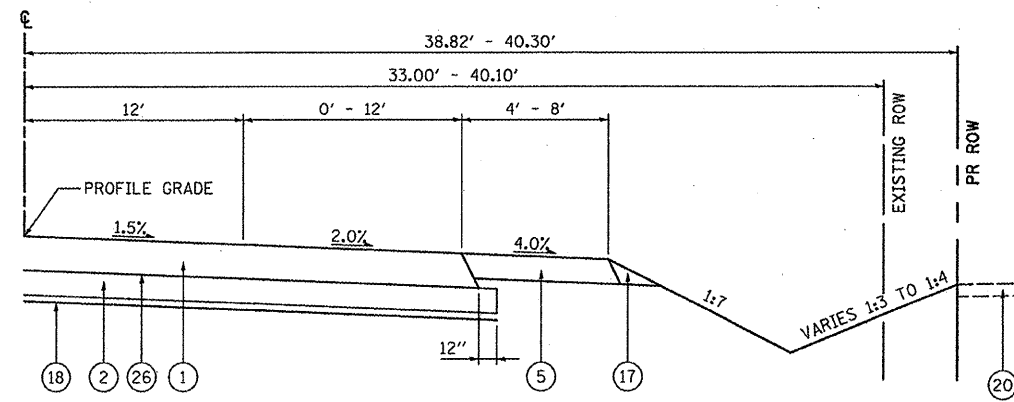
TYPICAL SECTIONS

LEGEND

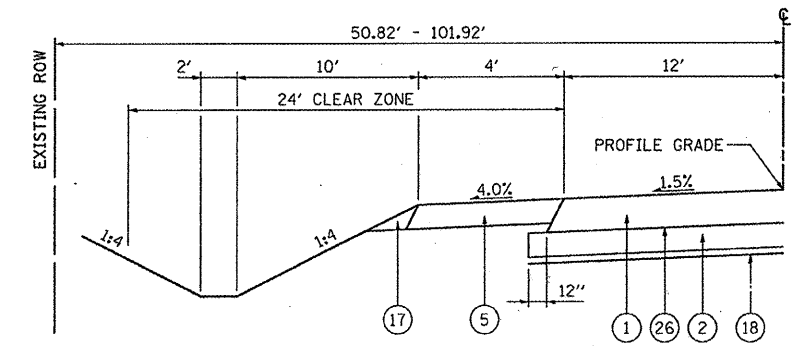
- ① PROPOSED HOT-MIX ASPHALT PAVEMENT (FULL DEPTH), 11" (2" SURFACE WITH 9" BINDER)
- ② PROPOSED AGGREGATE BASE COURSE, TYPE A 8"
- ③ PROPOSED COMBINATION CONCRETE CURB AND GUTTER, TYPE B-6.24
- ④ PROPOSED PORTLAND CEMENT CONCRETE SIDEWALK, 4" STA. 3+30.00 TO 18+40.00
- ⑤ PROPOSED HOT-MIX ASPHALT SHOULDERS, 8"
- ⑥ PROPOSED 4 1/4" HOT-MIX ASPHALT BINDER COURSE, IL-19.0, N70. LEVELING BINDER AS REQUIRED TO GENERATE PROPER CROSS SLOPE
- ⑦ EXISTING 1 1/2" BITUMINOUS CONCRETE BINDER COURSE
EXISTING 1 1/2" BITUMINOUS CONCRETE SURFACE COURSE
- ⑧ EXISTING 8" STABILIZED BASE COURSE
- ⑨ EXISTING 4" SUB-BASE GRANULAR MATERIAL
- ⑩ EXISTING 8" STABILIZED SHOULDERS
- ⑪ EXISTING AGGREGATE SHOULDERS
- ⑫ INTENTIONALLY LEFT BLANK
- ⑬ PROPOSED CONCRETE GUTTER, TYPE A
- ⑭ EXISTING 2" OIL AND CHIP
- ⑮ EXISTING 6" COMPACTED GRAVEL BASE COURSE
- ⑯ EXISTING 4" CRUSHED STONE BASE COURSE
- ⑰ PROPOSED AGGREGATE WEDGE SHOULDER, TYPE B
- ⑱ PROPOSED GEOTECHNICAL FABRIC FOR GROUND STABILIZATION.
- ⑲ PROPOSED 2" HOT-MIX ASPHALT SURFACE COURSE, MIX "D" N70
- ⑳ EXISTING CONCRETE SIDEWALK
- ㉑ PROPOSED GUARDRAIL
- ㉒ EXISTING GUARDRAIL
- ㉓ REERECTED EXISTING GUARDRAIL
- ㉔ EXISTING CONCRETE CURB AND GUTTER
- ㉕ FUTURE CONCRETE SIDEWALK
- ㉖ PROPOSED BITUMINOUS MATERIAL (PRIME COAT)
PROPOSED AGGREGATE (PRIME COAT)
- ㉗ PROPOSED AGGREGATE SHOULDER TYPE A 8"



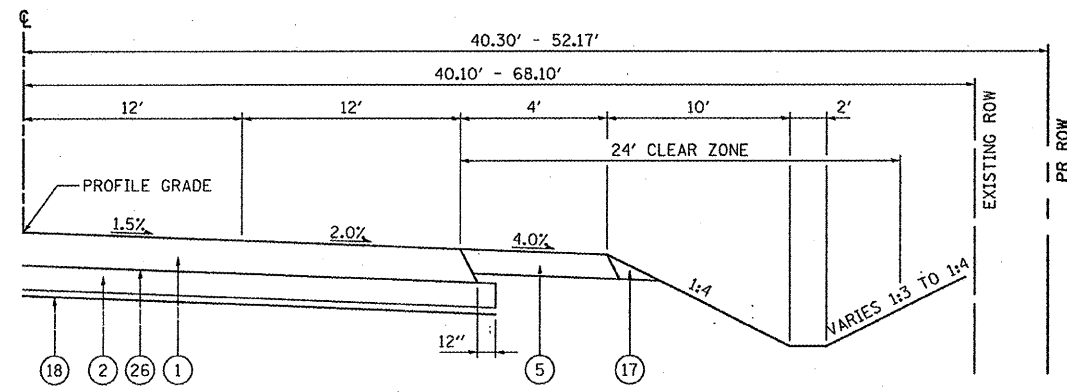
PROPOSED SHILOH CUT-OFF (MAIN STREET)
STA. 81+81.47 TO STA. 83+00.00
(NOT TO SCALE)



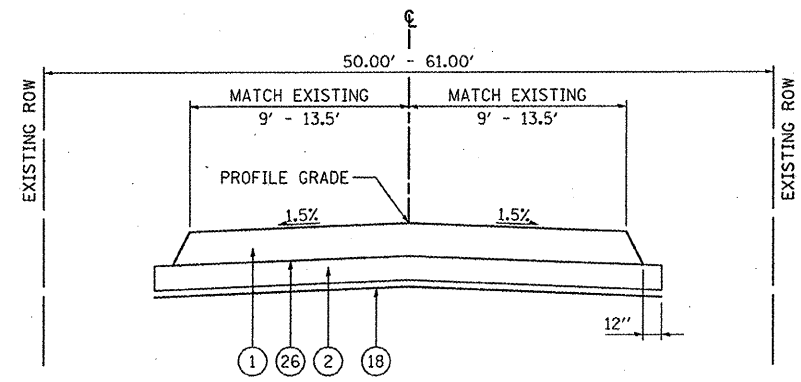
PROPOSED SHILOH CUT-OFF (MAIN STREET)
STA. 81+38.00 TO STA. 82+73.00
(NOT TO SCALE)



PROPOSED SHILOH CUT-OFF (MAIN STREET)
STA. 83+00.00 TO STA. 84+23.20
(NOT TO SCALE)



PROPOSED SHILOH CUT-OFF (MAIN STREET)
STA. 82+73.00 TO STA. 84+23.20
(NOT TO SCALE)



LUCIA LANE LOWEL COURT SCHEIBEL ROAD CORPORATE CROSSING
(NOT TO SCALE)

