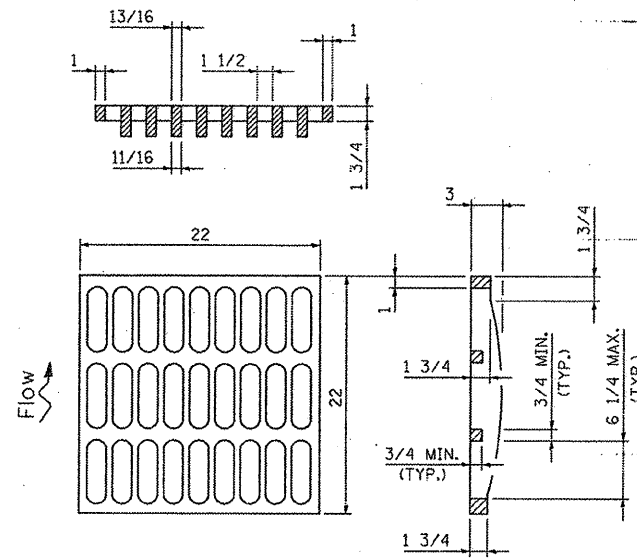


F.A.I. RTE.	SECTION	COUNTY	TOTAL SHEETS	SHEET NO.
9266	06-00062-06-PV	ST. CLAIR	80	42
FHWA REG. NO. 7 ILLINOIS		PROJECT NO. RS-0163(035)		
FEDERAL AID PROJECT		CONTRACT NO. 97457		



GRATE TYPE A  
(NOT TO SCALE)

GENERAL NOTES

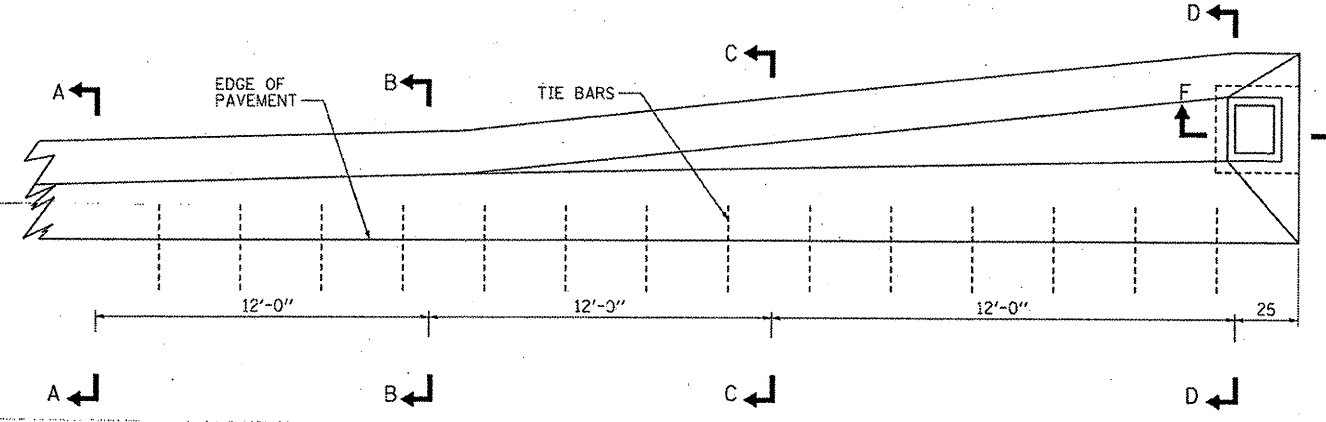
THE GUTTER OUTLET SHALL BE TIED TO THE PAVEMENT IN ACCORDANCE WITH DETAILS FOR LONGITUDINAL CONSTRUCTION JOINT SHOWN ON STANDARD 420001.

TIE BARS SHALL BE NO. 6 (NO. 19) AT 24" CENTERS UNLESS OTHERWISE SHOWN.

IF THE AVERAGE GRADE OF PAVEMENT FOR THE DISTANCE A-D EXCEEDS 2%, THIS DISTANCE SHALL BE INCREASED 6' (1.8 M) FOR EACH 1% INCREASE IN GRADE.

ALL DIMENSIONS ARE IN INCHES UNLESS OTHERWISE SHOWN.

OUTLET TYPE 1 (SPECIAL) FOR TYPE A GUTTER LOCATIONS  
 STA. 68+50.00 RT  
 STA. 83+00.00 LT  
 STA. 80+38.50 RT

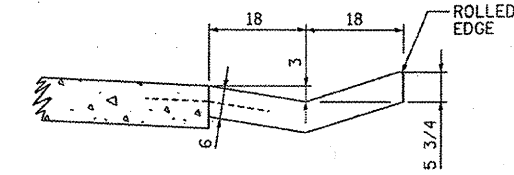


OUTLET TYPE 1 (SPECIAL) - PLAN  
(NOT TO SCALE)

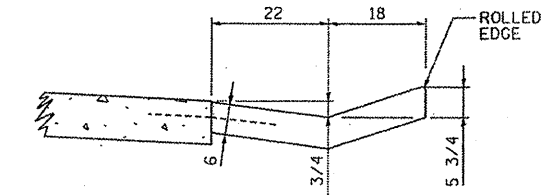
OUTLET TYPE 1 (SPECIAL) FOR TYPE A GUTTER SHALL BE PAID FOR USING THE FOLLOWING QUANTITIES

MATERIAL	QUANTITY
CLASS SI CONCRETE (OUTLET) - CU. YD.	2.9
GRATES, TYPE A - EA.	1
INLETS, TYPE B OR MANHOLES, TYPE A, 6'-DIAMETER - EA.	1

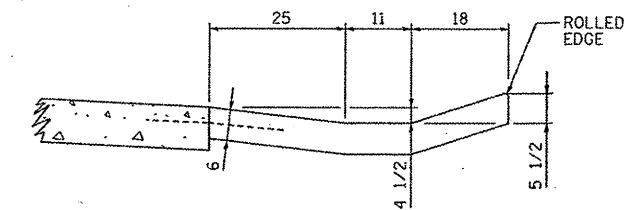
OUTLET TYPE 1 (SPECIAL) FOR TYPE A GUTTER



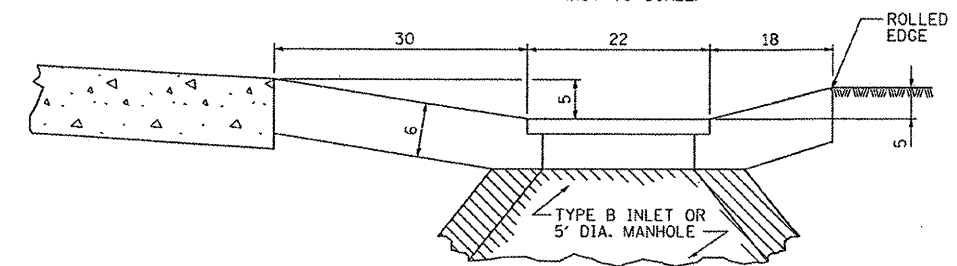
SECTION A-A  
(NOT TO SCALE)



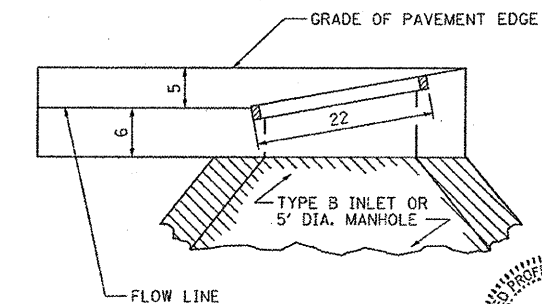
SECTION B-B  
(NOT TO SCALE)



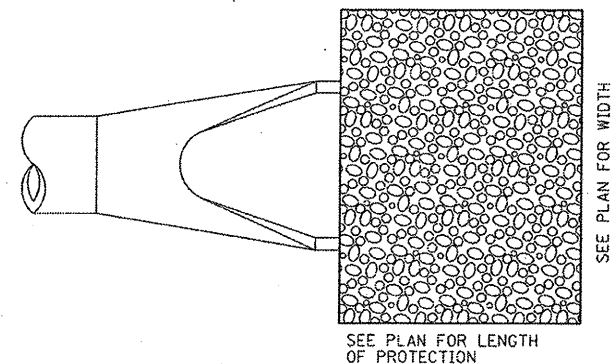
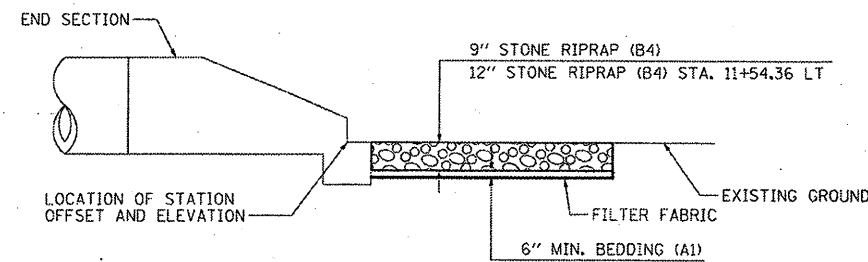
SECTION C-C  
(NOT TO SCALE)



SECTION D-D  
(NOT TO SCALE)



SECTION F-F  
(NOT TO SCALE)



TYPICAL RIPRAP DETAIL  
(NOT TO SCALE)

CHAD D. FAUREBANKS  
 062-063136  
 4-20-11  
 expires 11-20-11