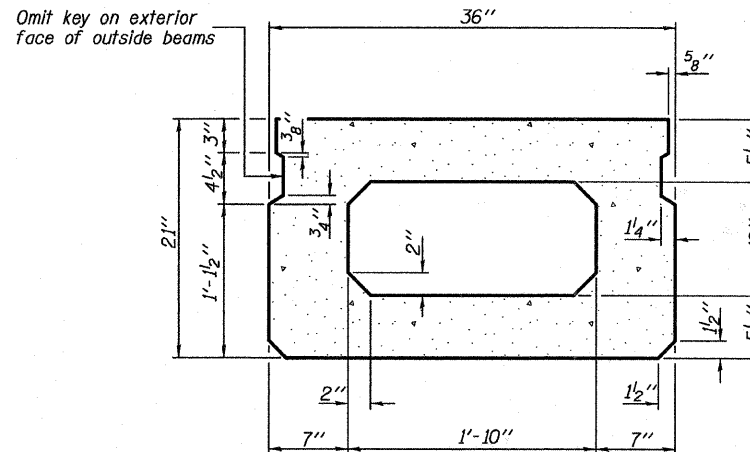
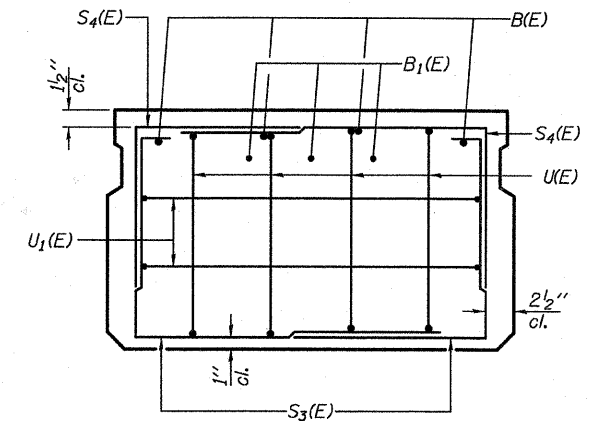


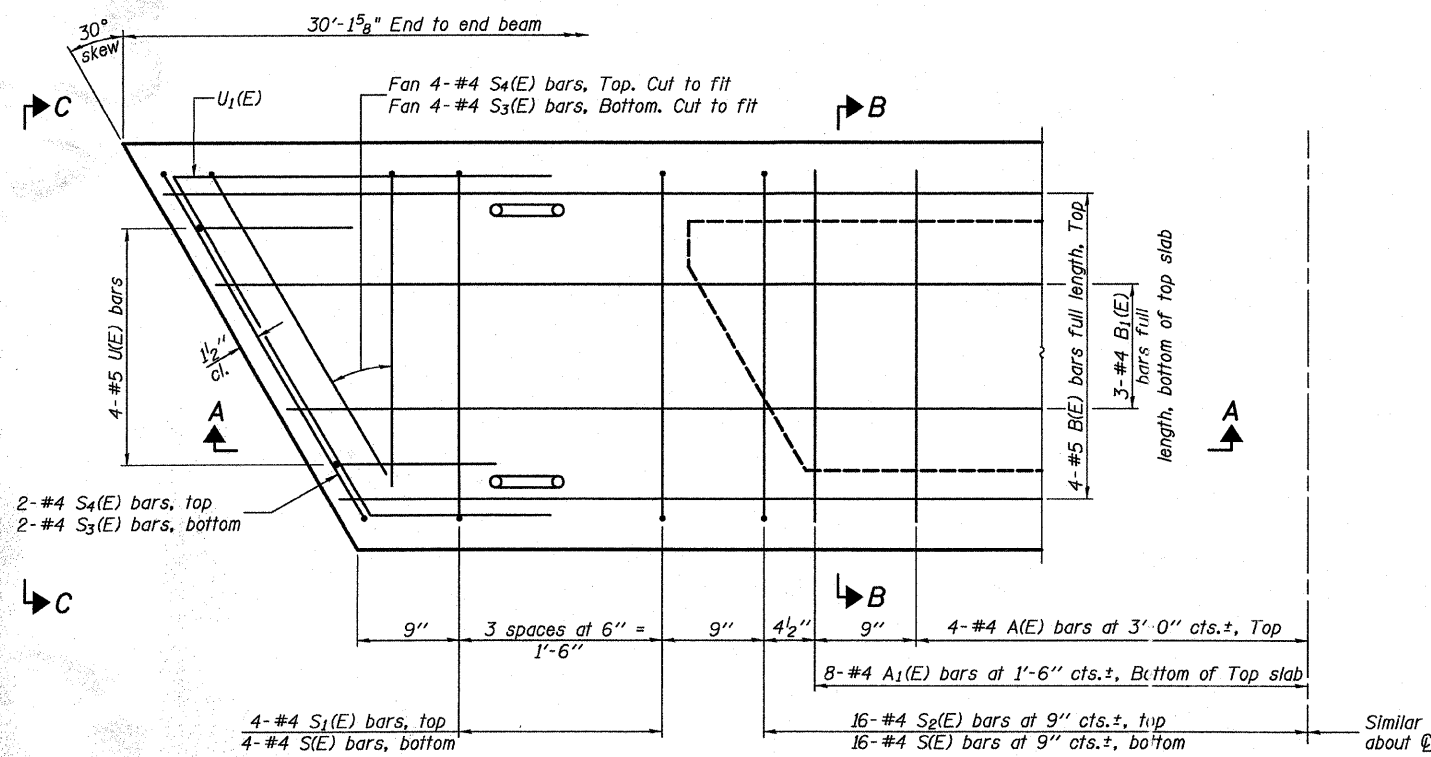
SECTION A-A



SECTION B-B
(Showing dimensions)

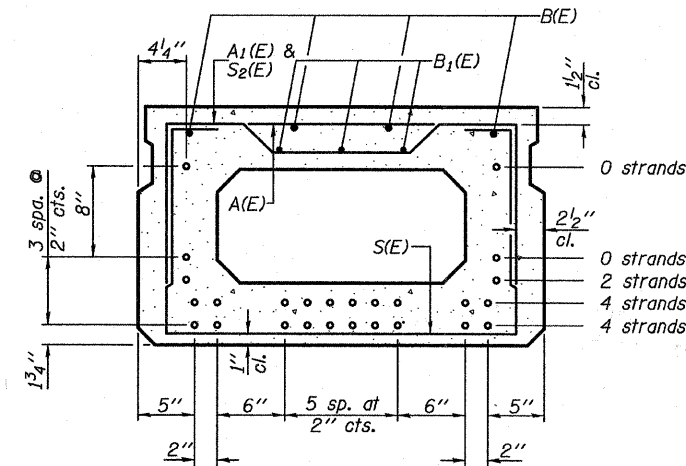


VIEW C-C



PLAN VIEW

Note: Spacing of S(E) and S2(E) bars may be adjusted up to 4" in the immediate area of the transverse tie diaphragms to miss the block cuts for the transverse ties.



SECTION B-B
(Showing reinforcement and permissible strand locations)
10-1/2" Φ Strands
(4 Strands 1 3/4" Up, 4 Strands 3 3/4" Up, 2 Strands 5 3/4" Up)

Note: Place the number of strands specified in each row symmetrically about the centerline of beam in the permissible strand locations shown.

BAR LIST
ONE BEAM ONLY
(For information only)

Bar	No.	Size	Length	Shape
A(E)	8	#4	2'-7"	—
A1(E)	16	#4	2'-10"	—
B(E)	4	#5	29'-10"	—
B1(E)	3	#4	29'-10"	—
S(E)	40	#4	6'-5"	□
S1(E)	8	#4	4'-11"	□
S2(E)	32	#4	5'-2"	□
S3(E)	12	#4	4'-11"	□
S4(E)	12	#4	4'-2"	□
U(E)	8	#5	4'-0"	□
U1(E)	4	#4	7'-2"	□

Note: See sheet 5 of 10 for additional details and Bill of Material.

MINIMUM BAR LAP

#4 bar = 2'-0"
#5 bar = 2'-6"

PD-2136-R

7-1-10

FILE NAME =	USER NAME =	DESIGNED -	REVISED -
ht:\6466\0144057-03-beam.dgn	_USERDESCR	K.M.M.	-
		CHECKED -	REVISED -
		L.D.G.	-
		DRAWN -	REVISED -
		K.H.L.	-
		CHECKED -	REVISED -
		B.G.H.	-

STATE OF ILLINOIS
DEPARTMENT OF TRANSPORTATION

21" X 36" PPC DECK BEAM
SPANS 1 & 3

T.R.	SECTION	COUNTY	TOTAL SHEETS	SHEET NO.
212	10-10117-00-BR	CLINTON	16	6
S.N. 014-4057		CONTRACT NO.		

SHEET NO. 3 OF 10 SHEETS

ILLINOIS FED. AID PROJECT