

PLAN

PILE DATA

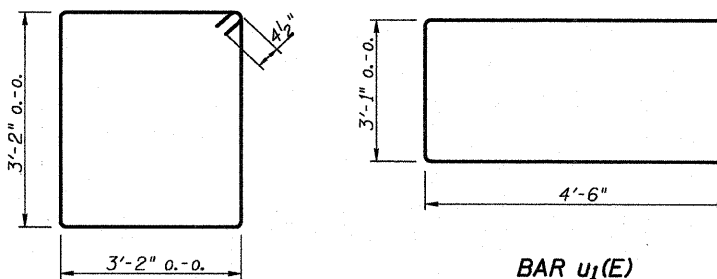
PIER 1

Steel HP 12X63
 Nominal Required Bearing: 497 k
 Factored Resistance Available: 248 k
 Est. Length: 34 ft.
 No. Production Piles: 4
 No. Test Piles: 1

PIER 2

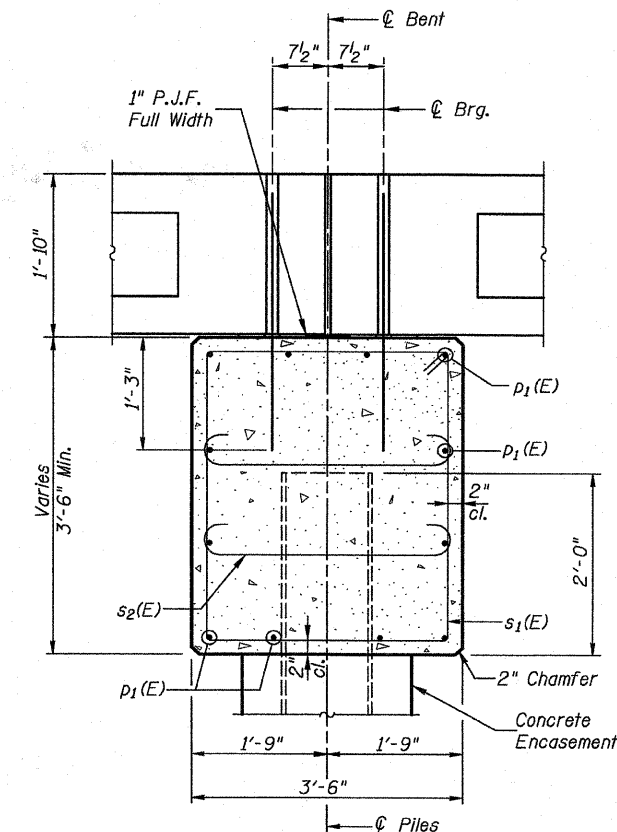
Steel HP 12X63
 Nominal Required Bearing: 497 k
 Factored Resistance Available: 248 k
 Est. Length: 33 ft.
 No. Production Piles: 4
 No. Test Piles: 1

Type:
 Nominal Required Bearing:
 Factored Resistance Available:
 Est. Length:
 No. Production Piles:
 No. Test Piles:

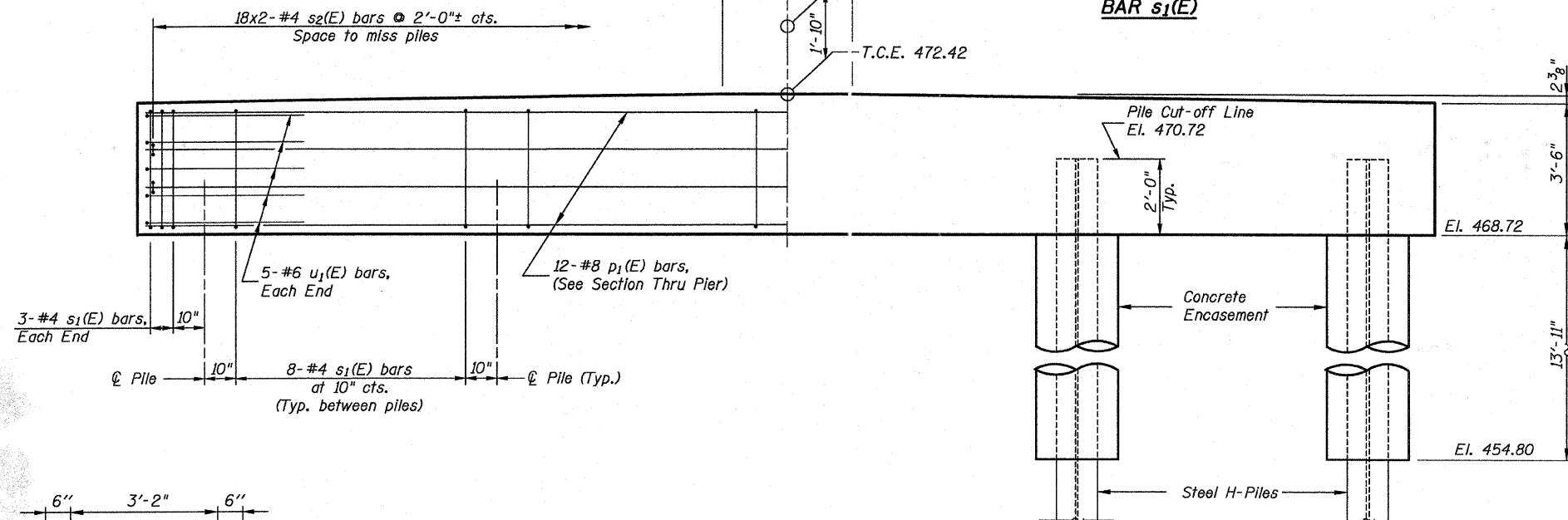


BAR s1(E)

BAR u1(E)



SECTION THRU PIER
 (at Right Angles)



ELEVATION

BAR s2(E)

BILL OF MATERIAL
 FOR ONE PIER

Bar	No.	Size	Length	Shape
p1(E)	12	#8	33'-3"	—
s1(E)	38	#4	13'-5"	□
s2(E)	36	#4	4'-2"	U
u1(E)	10	#6	12'-1"	—
Concrete Structures			Cu. Yd.	15.8
Reinforcement Bars, Epoxy Coated			Pound	1,690
Concrete Encasement			Cu. Yd.	8.1

NOTES

1. Space reinforcement in pile cap to miss dowel rods.