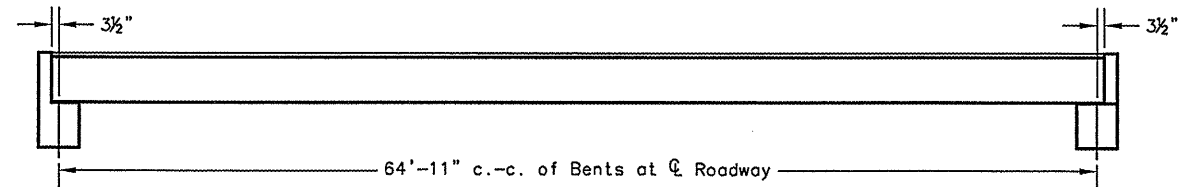
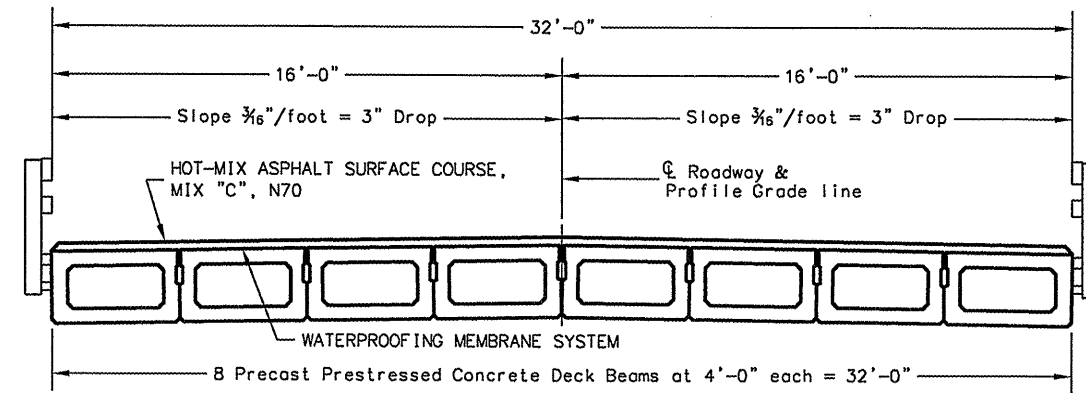


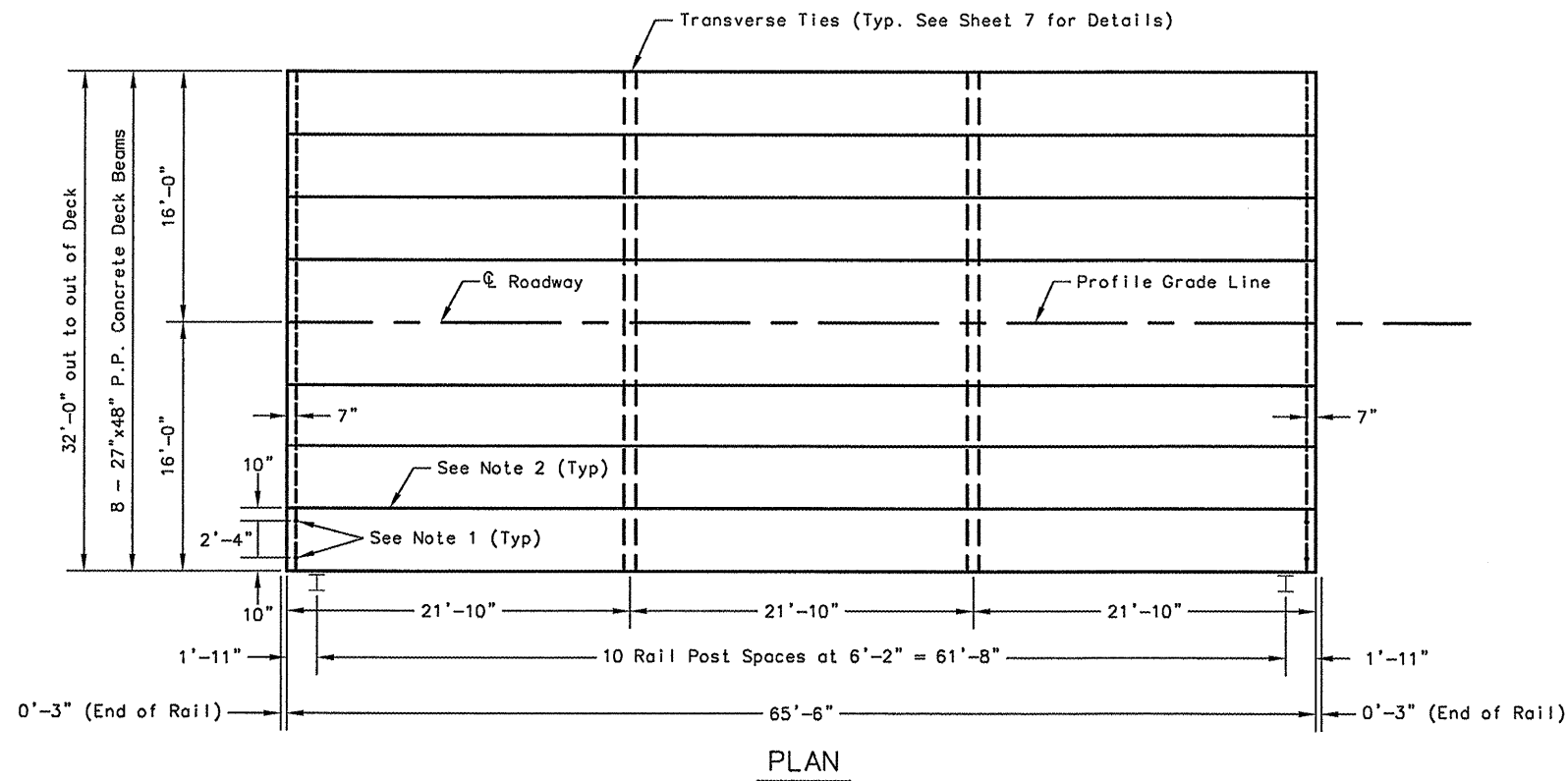
SECTION NO.	COUNTY HIGHWAY	COUNTY	SHEET OF SHEETS
06-00201-02-BR	CH 58	ST. CLAIR	5 OF 13
FHWA REG. NO. 7	ILLINOIS	PROJ: BRM-5011 (309)	
SUPERSTRUCTURE		CONTRACT 97465	



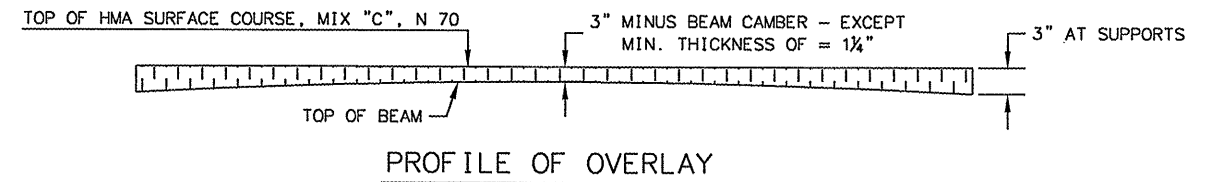
TYPICAL ELEVATION



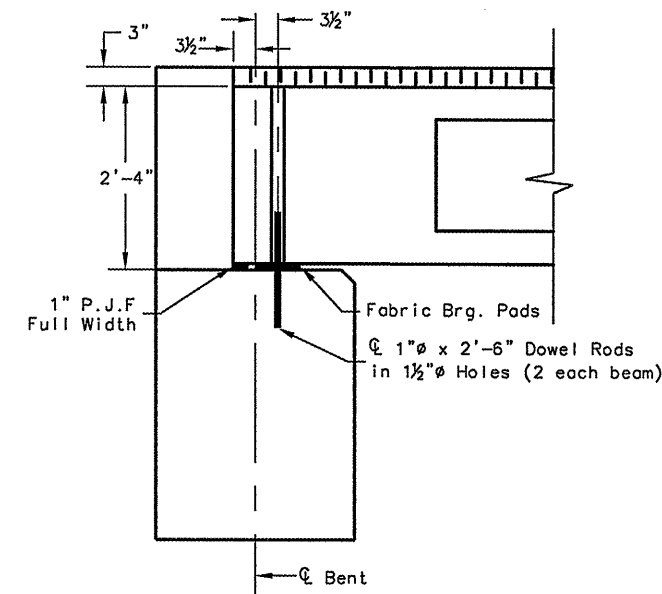
CROSS SECTION



PLAN



PROFILE OF OVERLAY



SECTION AT ABUTMENTS
(ALONG ϕ BEAMS)

QUANTITIES FOR ONE SPAN

P.P. CONC. DK. BM. 27" DP.	2096 SQ FT
STEEL RAILING, TYPE SM	132 FT
HMA SC "C" N70	33 TONS
WATERPROOFING MEMBRANE SYSTEM	233 SQ YD
PORTLAND CEMENT MORTAR	459 FT
FAIRING COURSE	

P.P.C. DECK BEAM
SUPERSTRUCTURE

32' RDWY.	27" x 48" BMS.
65'6" SPAN	0° SKEW

NOTES

- AFTER BEAMS HAVE BEEN ERECTED, HOLES SHALL BE DRILLED INTO SUBSTRUCTURE AND ANCHOR DOWELS PLACED. DOWEL HOLES SHALL BE FILLED WITH NON-SHRINK GROUT TO TOP OF BEAM AND ALLOWED TO CURE MIN. 24 HRS. PRIOR TO GROUTING THE SHEAR KEYS.
- LONGITUDINAL KEYS SHALL BE GROUTED.

INITIALS	DATE
DESIGNED WES	11/10
CHECKED RAB	3/11
DRAWN WES	11/10
CHECKED RAB	3/11

PREPARED BY ST. CLAIR COUNTY
CADD DRAWING FILE: superstr

PLOT DATE: 3/11