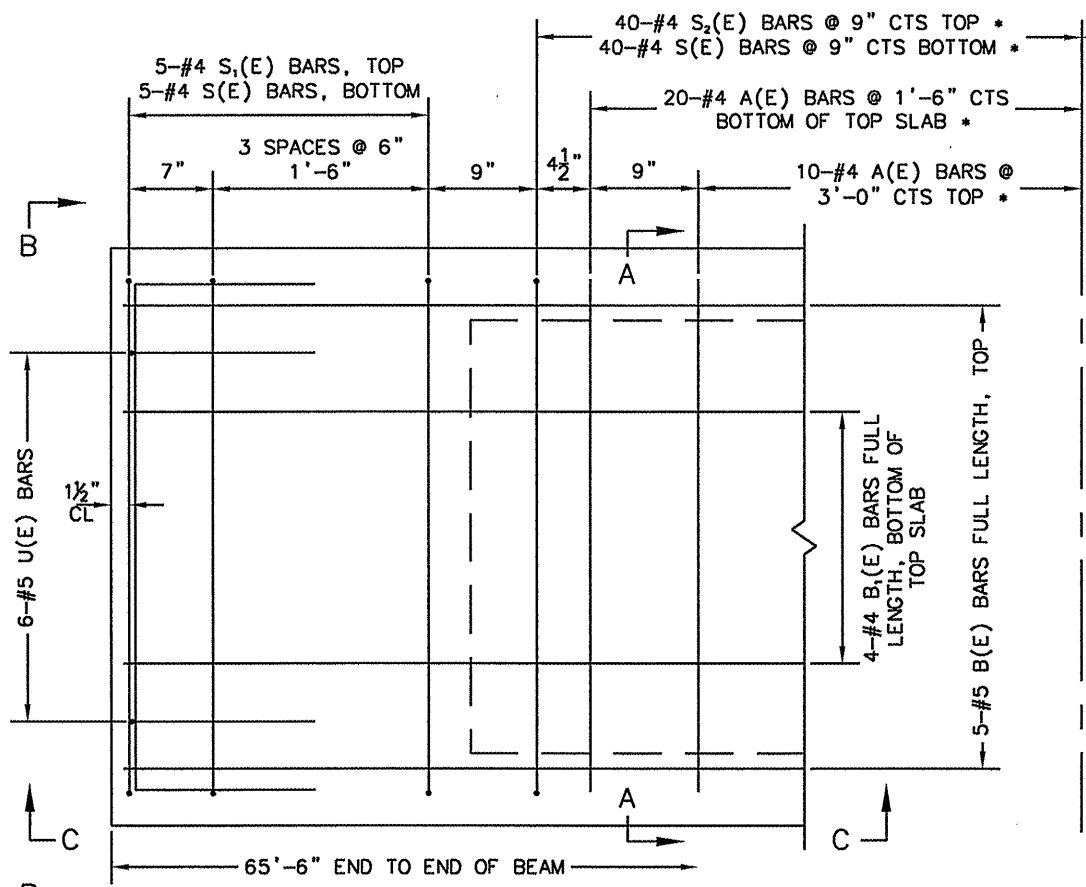
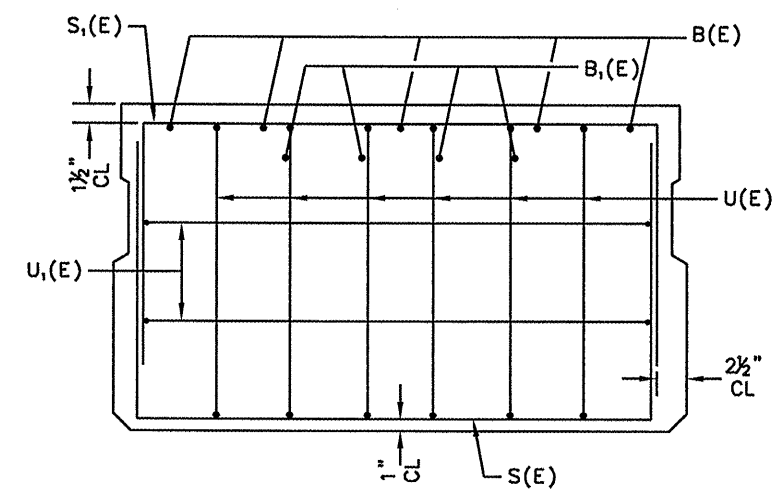
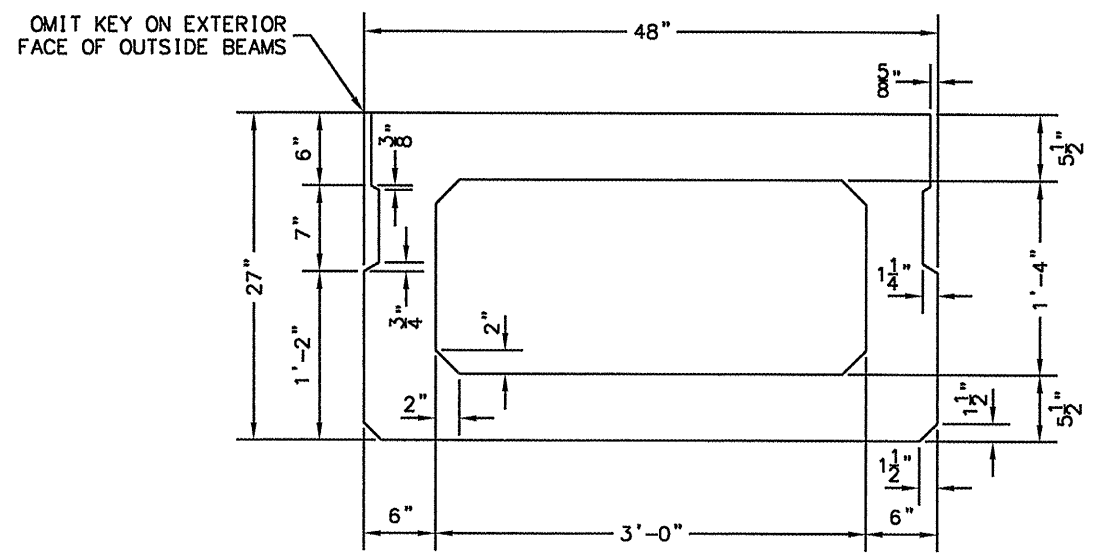
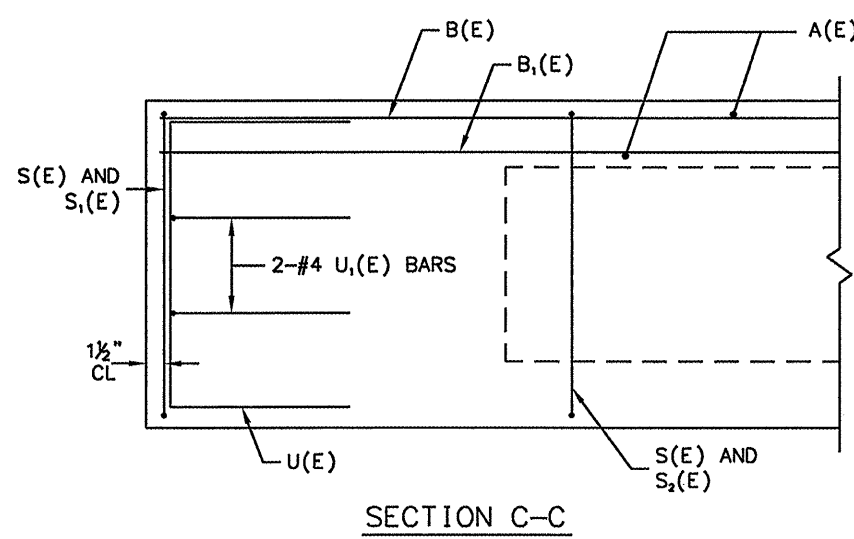
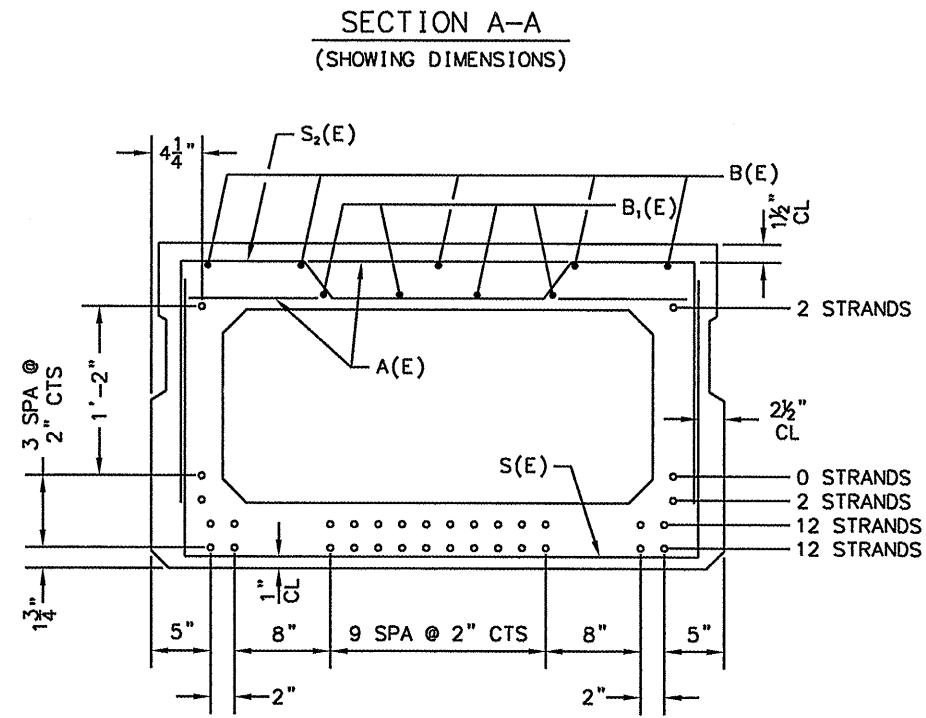


SECTION NO.	COUNTY HIGHWAY	COUNTY	SHEET OF SHEETS
06-00201-02-BR	CH 58	ST. CLAIR	6 OF 13
FHWA REG. NO. 7	ILLINOIS	PROJ: BRM-5011(309)	
DECK BEAM		CONTRACT 97465	



SYMMETRICAL ABOUT CL
* ADD 1 BAR AT CL



SECTION A-A (SHOWING REINFORCEMENT AND PERMISSIBLE STRAND LOCATIONS)

NOTE: PLACE THE NUMBER OF STRANDS SPECIFIED IN EACH ROW SYMMETRICALLY ABOUT THE CENTERLINE OF BEAM IN THE PERMISSIBLE STRAND LOCATIONS SHOWN.

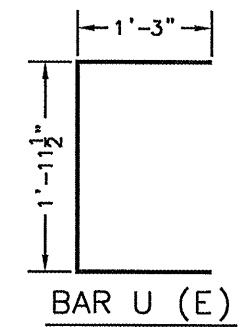
VIEW B-B

MINIMUM BAR LAP
#4 BAR = 2'-0"
#5 BAR = 2'-6"

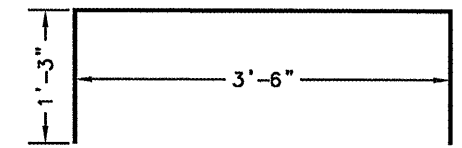
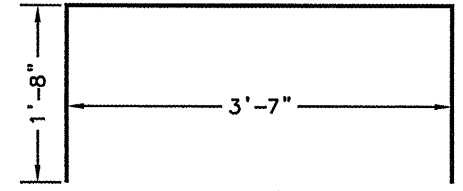
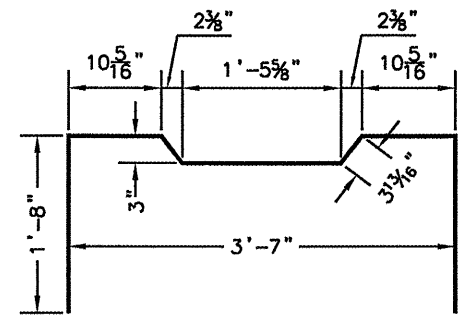
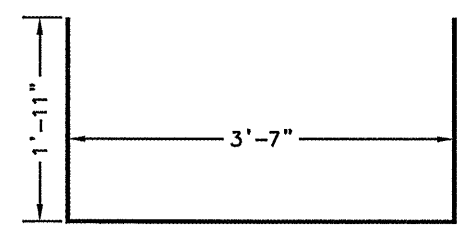
BAR LIST
ONE BEAM ONLY
(FOR INFORMATION ONLY)

BAR	NO.	SIZE	LENGTH	SHAPE
A(E)	62	#4	3'-7"	—
B(E)	5	#5	65'-3"	—
B1(E)	4	#4	65'-3"	—
S(E)	91	#4	7'-5"	┌
S1(E)	10	#4	6'-11"	┌
S2(E)	81	#4	7'-2"	┌
U(E)	12	#5	4'-6"	┌
U1(E)	4	#4	6'-0"	┌

NOTE: SEE SHEET 7 FOR ADDITIONAL DETAILS.
NOTE: ALL REBAR SHOWN ARE TO BE EPOXY COATED



NOTE: SPACING OF S(E) AND S2(E) BARS MAY BE ADJUSTED UP TO 4" IN THE IMMEDIATE AREA OF THE TRANSVERSE TIE DIAPHRAGMS TO MISS THE BLOCK OUTS FOR THE TRANSVERSE TIES.



INITIALS	DATE
DESIGNED WES	11/10
CHECKED RAB	3/11
DRAWN WES	11/10
CHECKED RAB	3/11

PREPARED BY ST. CLAIR COUNTY
CADD DRAWING FILE: BEAM

P.P.C. DECK BEAM
27" x 48" BEAMS
32' ROADWAY

PLOT DATE: 3/11