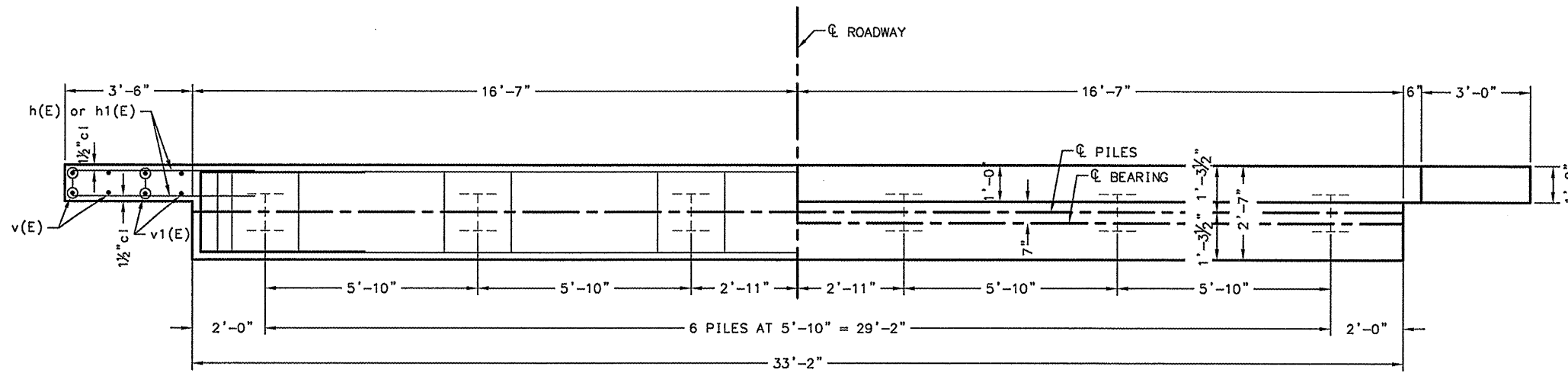
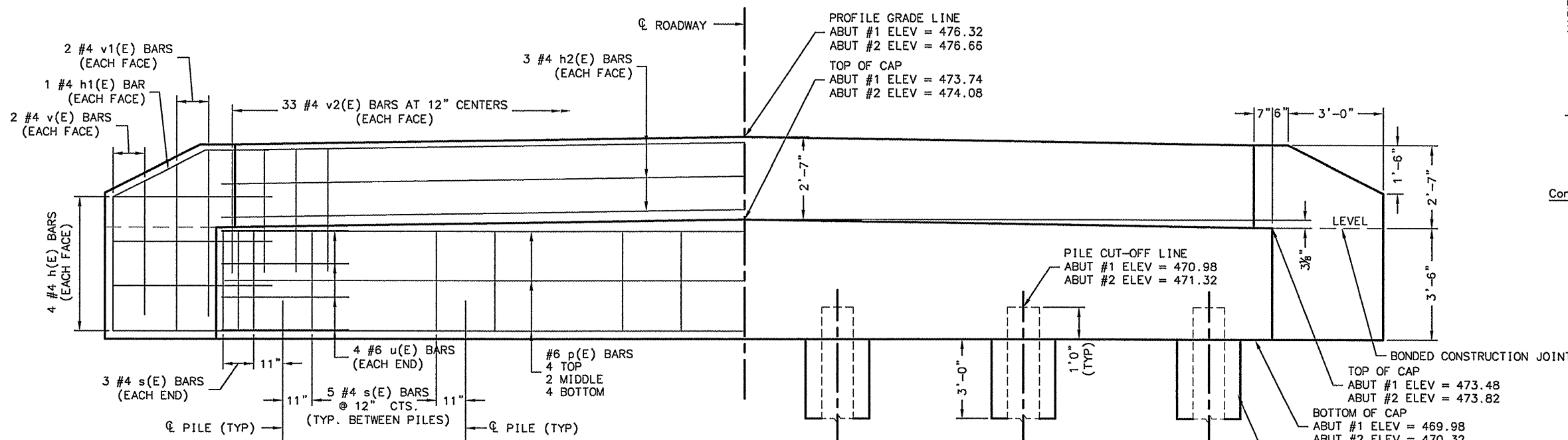


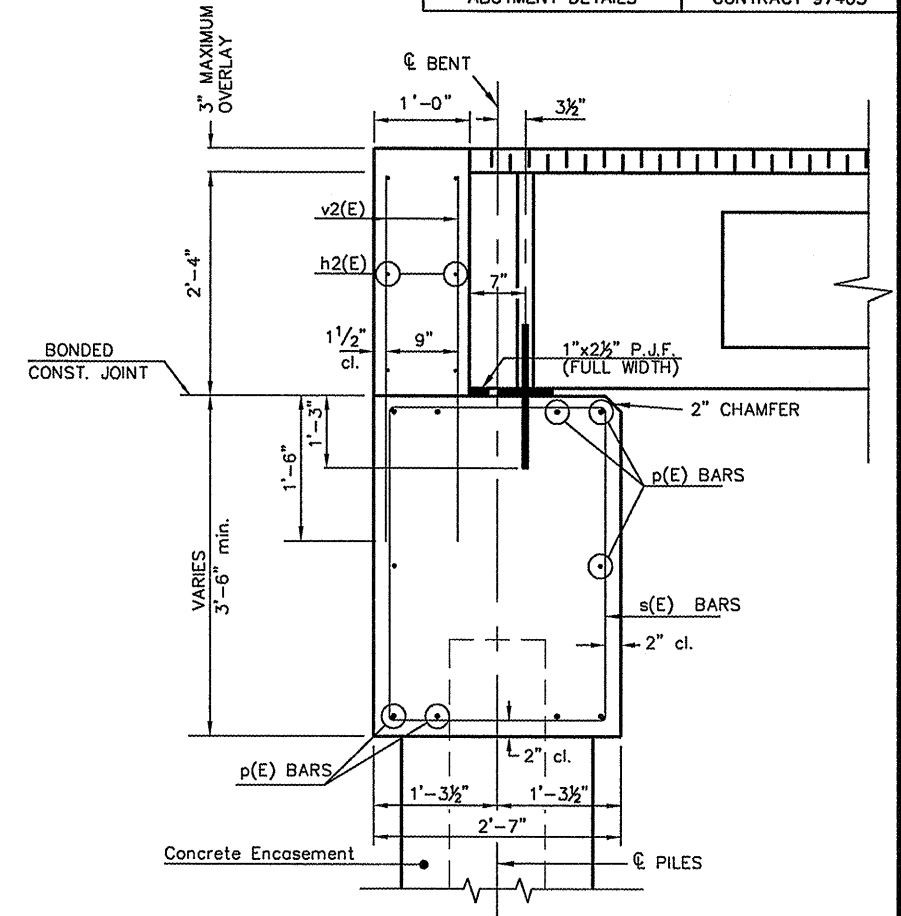
SECTION NO.	COUNTY HIGHWAY	COUNTY	SHEET OF SHEETS
06-00201-02-BR	CH 58	ST. CLAIR	8 OF 13
FHWA REG.NO.7	ILLINOIS	PROJ: BRM-5011(309)	
ABUTMENT DETAILS		CONTRACT 97465	



PLAN



ELEVATION



SECTION THRU ABUTMENT
(AT RIGHT ANGLES)

BILL OF MATERIAL
FOR ONE ABUTMENT

Bar	No.	Size	Length	Shape
h(E)	16	#4	5'-0"	—
h1(E)	4	#4	5'-3"	—
h2(E)	6	#4	32'-10"	—
p(E)	10	#6	32'-10"	—
s(E)	31	#4	11'-7"	□
u(E)	8	#6	11'-2"	□
v(E)	8	#4	4'-2"	—
v1(E)	8	#4	5'-2"	—
v2(E)	66	#4	3'-11"	—
CONCRETE STRUCTURES			16.1 CU YD	
REINFORCEMENT BARS, EPOXY COATED			1289 LBS	
CONCRETE ENCASEMENT			2.1 CU YD	
STUD SHEAR CONNECTORS			48 EACH	

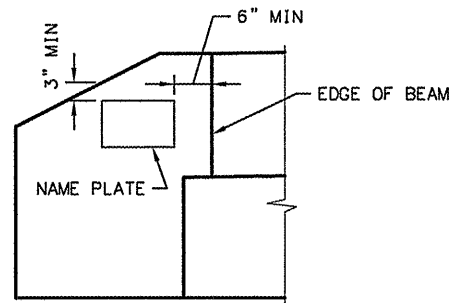
NOTE: ALL REINFORCEMENT BARS SHOWN SHALL BE EPOXY COATED

- NOTES
1. THE BACKWALL AND THE PORTION OF THE WINGWALLS ABOVE THE BONDED CONSTRUCTION JOINT SHALL BE CAST AGAINST THE IN-PLACE BEAMS.
 2. REINFORCEMENT BARS SHALL CONFORM TO THE REQUIREMENTS OF ASTM A706 GRADE 60 (IL MODIFIED)

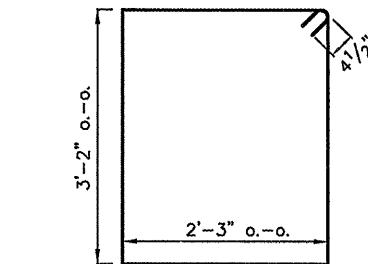
PILE DATA

TYPE & SIZE.....	STEEL HP 12X53 WITH PILE SHOES
NOMINAL REQUIRED BEARING.....	418 KIPS
FACTORED RESISTANCE AVAILABLE.....	209 KIPS
ESTIMATED LENGTH.....	55 FT
NO. OF PRODUCTION PILES.....	11
NO. OF TEST PILE (WEST ABUTMENT).....	1
NO. OF PILE SHOES.....	12

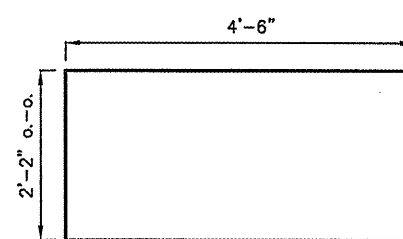
DESIGN STRESS
f'c = 3,500 psi
fy = 60,000 psi



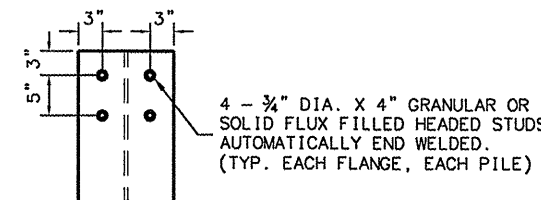
NAME PLATE LOCATION
(LOCATE AT SW WINGWALL OF BRIDGE)



BAR s(E)



BAR u(E)



BAR h1(E)

PLOT DATE: 3/11

INITIALS	DATE
DESIGNED WES	11/10
CHECKED RAB	3/11
DRAWN WES	11/10
CHECKED RAB	3/11

PREPARED BY ST. CLAIR COUNTY
CADD DRAWING FILE: ABUTMENT

ABUTMENT DETAILS