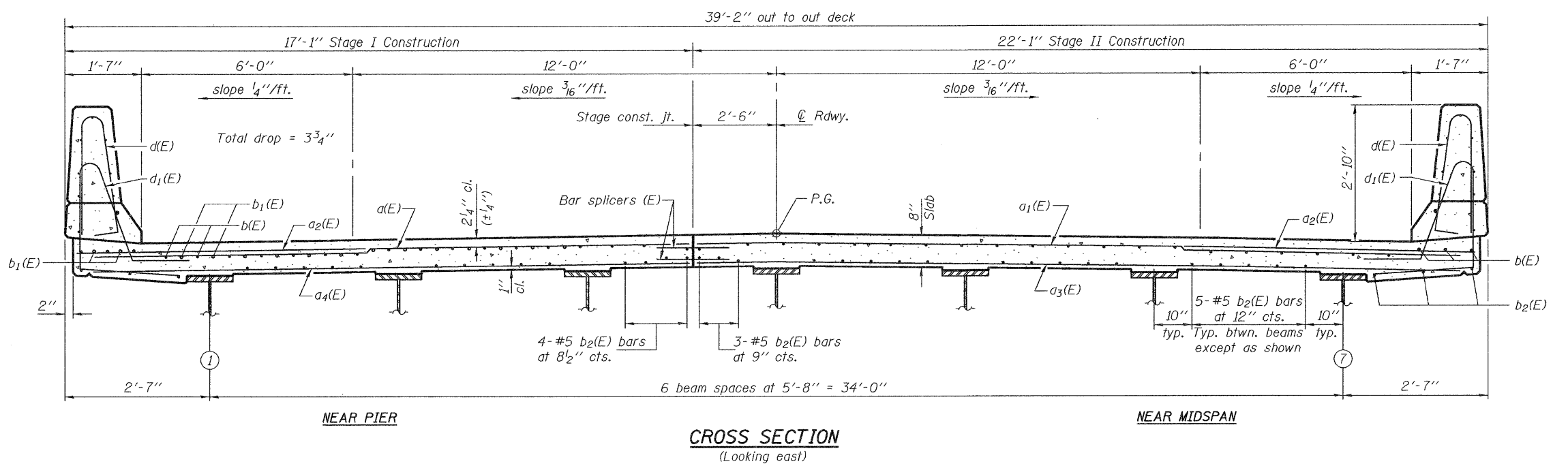


**MIN. BAR LAPS**  
 #5 bar = 3'-3"

Notes: See sheet 11 of 26 for superstructure details and Bill of Material.  
 Bars indicated thus 36 x 5-#5 etc. indicates 36 lines of bars with 5 lengths per line.  
 See sheet 11 of 26 for parapet reinforcement.  
 See sheet 12 of 26 for Section A-A.  
 See sheet 20 of 26 for bar splicer details.



DESIGNED - Jessica C. Forrest	EXAMINED - <i>Thomas J. Damagala</i> ENGINEER OF BRIDGE DESIGN	DATE - 5/10/2011	<b>STATE OF ILLINOIS DEPARTMENT OF TRANSPORTATION</b>		<b>SUPERSTRUCTURE STRUCTURE NO. 073-0038</b>		F.A.P. RTE. 869	SECTION 6B-2	COUNTY *	TOTAL SHEETS 299	SHEET NO. 140
CHECKED - Nicholas R. Barnett	PASSED - <i>Carl Perry</i> ENGINEER OF BRIDGES AND STRUCTURES						SHEET NO. 10 OF 26 SHEETS		CONTRACT NO. 98797		ILLINOIS FED. AID PROJECT