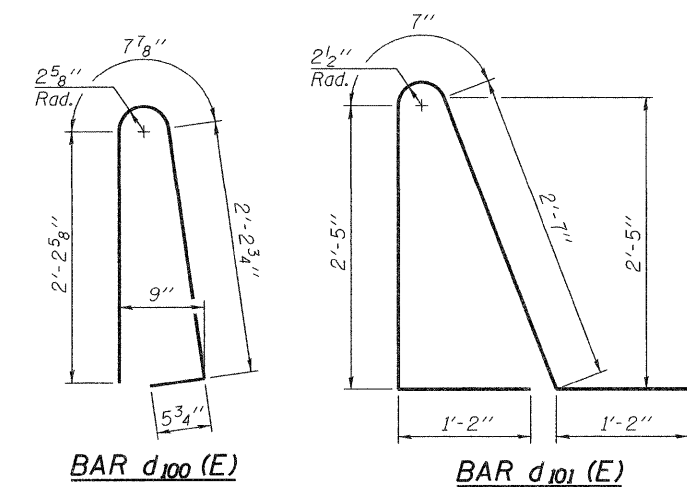
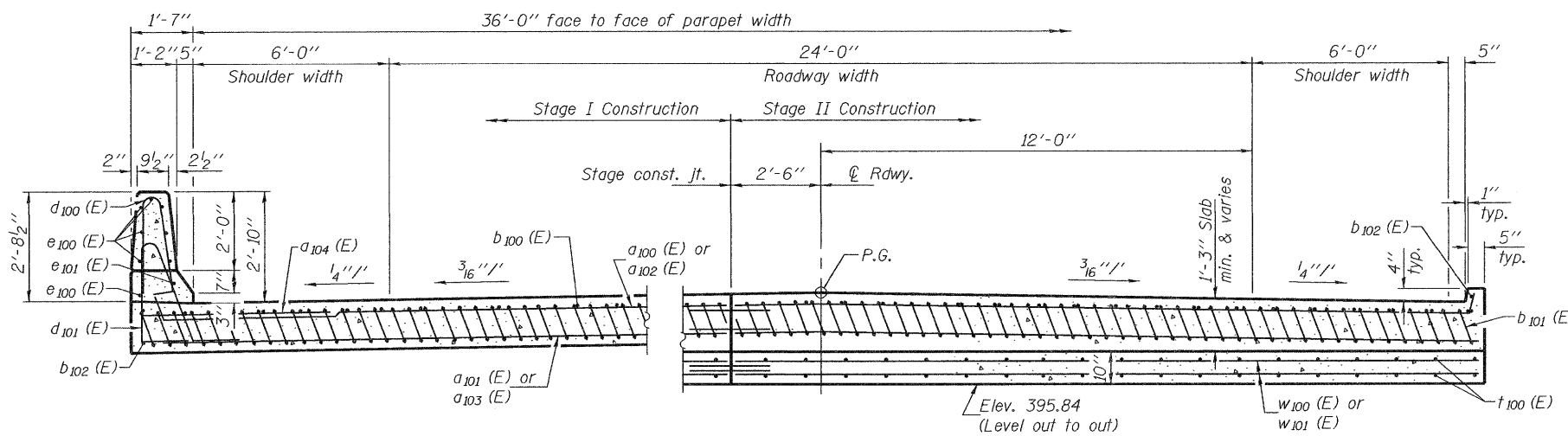


Notes:

See sheet 13 of 26 for Detail A and View B-B.  
 Approach slab and parapet concrete shall be paid for as Concrete Superstructure.  
 Approach footing concrete shall be paid for as Concrete Structures.  
 Reinforcement shall be paid for as Reinforcement Bars, Epoxy Coated.  
 For v(E) bar details, see sheet 11 of 26.  
 The approach footing maximum applied service bearing pressure (Qmax) = 2.0 ksf.  
 For bar splicer details, see sheet 20 of 26.  
 Cost of excavation for approach footing included with Concrete Structures.  
 For Porous Granular Embankment (Special) and drainage treatment details, see sheet 2 of 26.  
 For additional parapet details, see sheet 11 of 26.



\*Tilt #9 b101 (E) bars as required to maintain clearance.  
 \*\*\*Cost included with Concrete Superstructure.

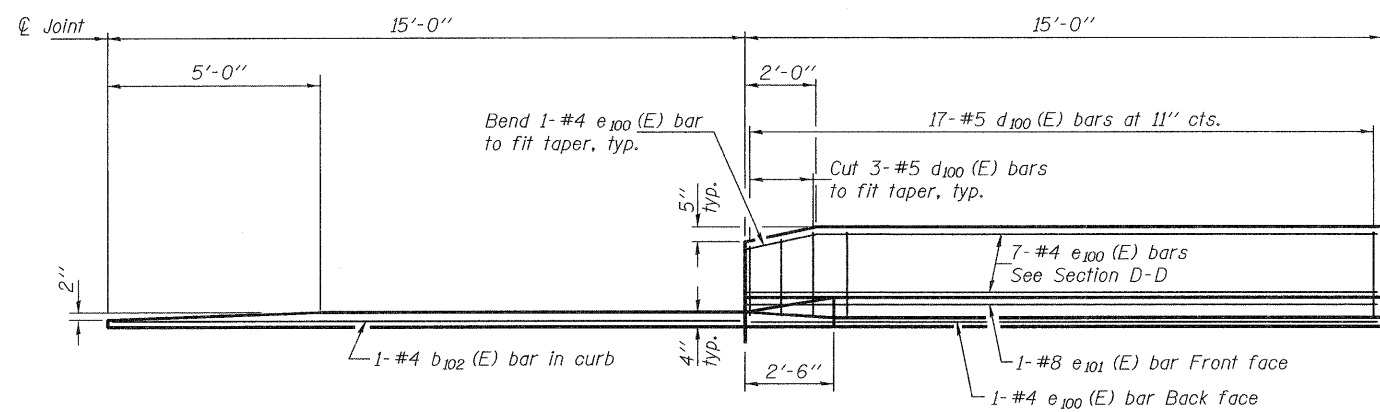


NEAR ABUTMENT

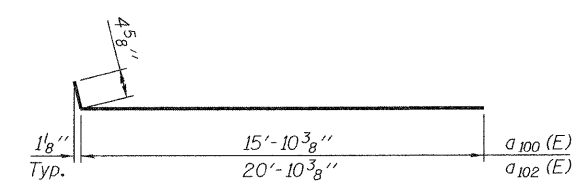
SECTION D-D

(See Plan for dimensions not shown)

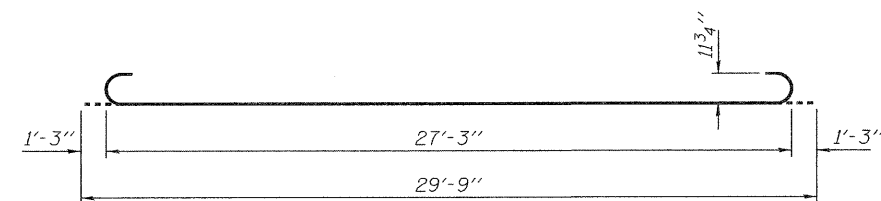
AT APPROACH FOOTING



VIEW E-E



BARS a100 (E) & a102 (E)



BAR b101 (E)

TWO APPROACHES  
 BILL OF MATERIAL

Bar	No.	Size	Length	Shape
a100 (E)	50	#4	16'-3"	—
a101 (E)	92	#5	16'-1"	—
a102 (E)	50	#4	21'-3"	—
a103 (E)	92	#5	21'-1"	—
a104 (E)	48	#6	6'-6"	—
b100 (E)	64	#4	29'-8"	—
b101 (E)	184	#9	29'-9"	—
b102 (E)	8	#4	14'-8"	—
d100 (E)	68	#5	5'-7"	—
d101 (E)	68	#5	7'-11"	—
e100 (E)	32	#4	14'-8"	—
e101 (E)	4	#8	14'-8"	—
t100 (E)	156	#4	9'-8"	—
w100 (E)	80	#5	16'-1"	—
w101 (E)	80	#5	21'-1"	—
Concrete Superstructure		Cu. Yd.	116.0	
Concrete Structures		Cu. Yd.	23.4	
Reinforcement Bars, Epoxy Coated		Pound	30780	

DESIGNED - Jessica C. Forrest  
 CHECKED - Nicholas R. Barnett  
 DRAWN - h.f. duong  
 CHECKED - JCF/NRB

EXAMINED - *Thomas J. Damagala*  
 ENGINEER OF BRIDGE DESIGN  
 PASSED - *Paul Perry*  
 ENGINEER OF BRIDGES AND STRUCTURES

DATE - 5/10/2011

STATE OF ILLINOIS  
 DEPARTMENT OF TRANSPORTATION

BRIDGE APPROACH SLAB DETAILS  
 STRUCTURE NO. 073-0038

SHEET NO. 14 OF 26 SHEETS

F.A.P. RTE.	SECTION	COUNTY	TOTAL SHEETS	SHEET NO.
869	68-2		299	144
CONTRACT NO. 98797			ILLINOIS FED. AID PROJECT	

\*PERRY/FRANKLIN