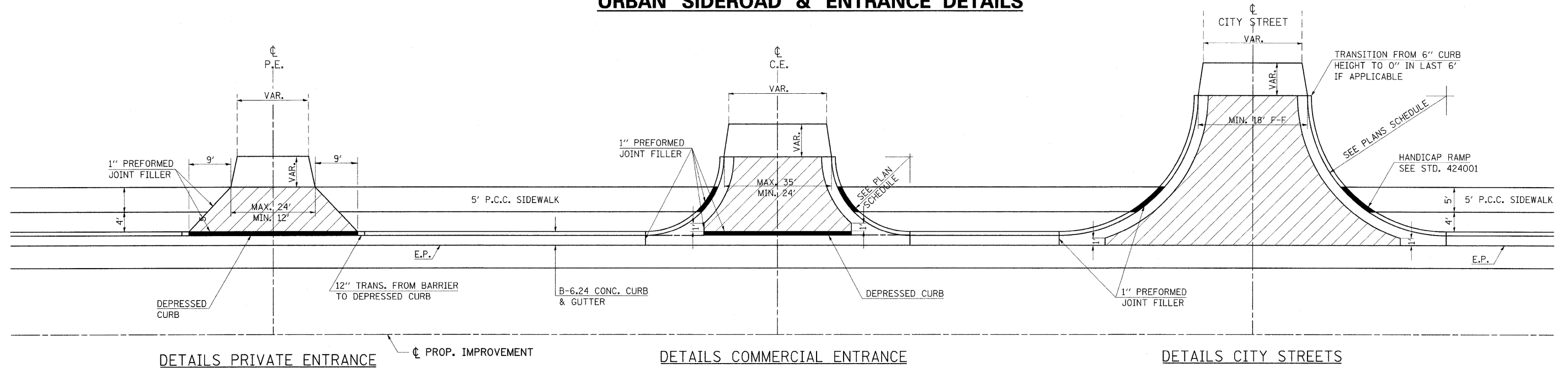


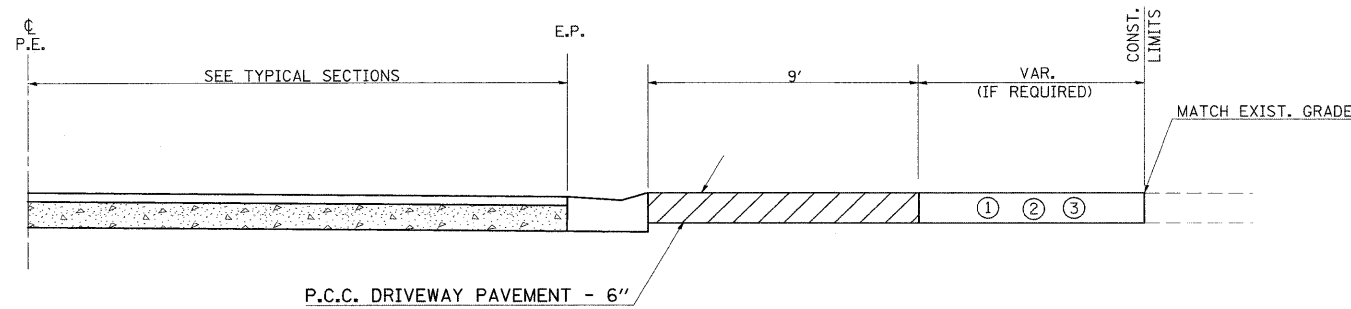
URBAN SIDEROAD & ENTRANCE DETAILS



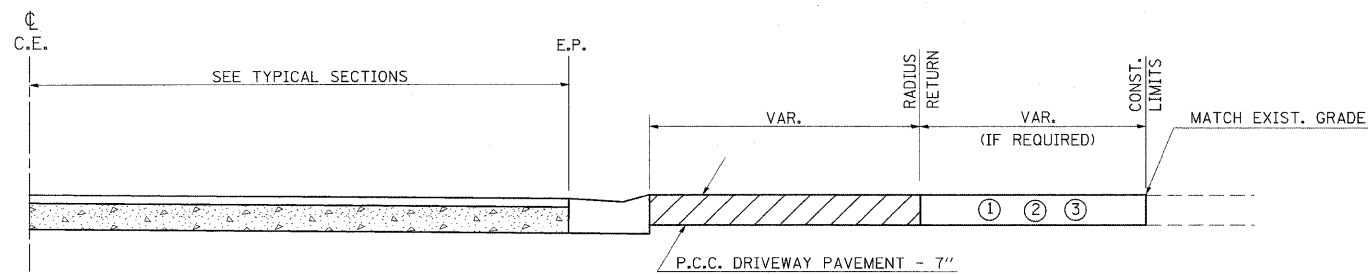
DETAILS PRIVATE ENTRANCE

DETAILS COMMERCIAL ENTRANCE

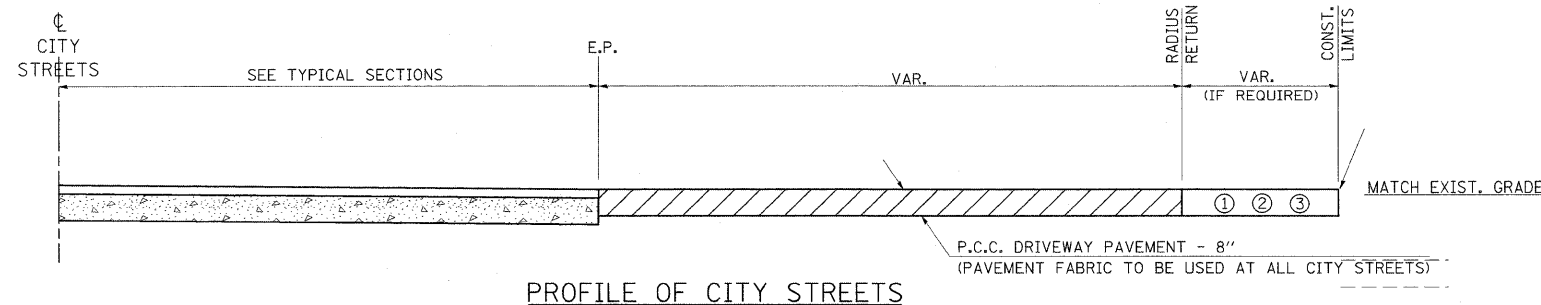
DETAILS CITY STREETS



PROFILE OF PRIVATE ENTRANCES



PROFILE OF COMMERCIAL ENTRANCES



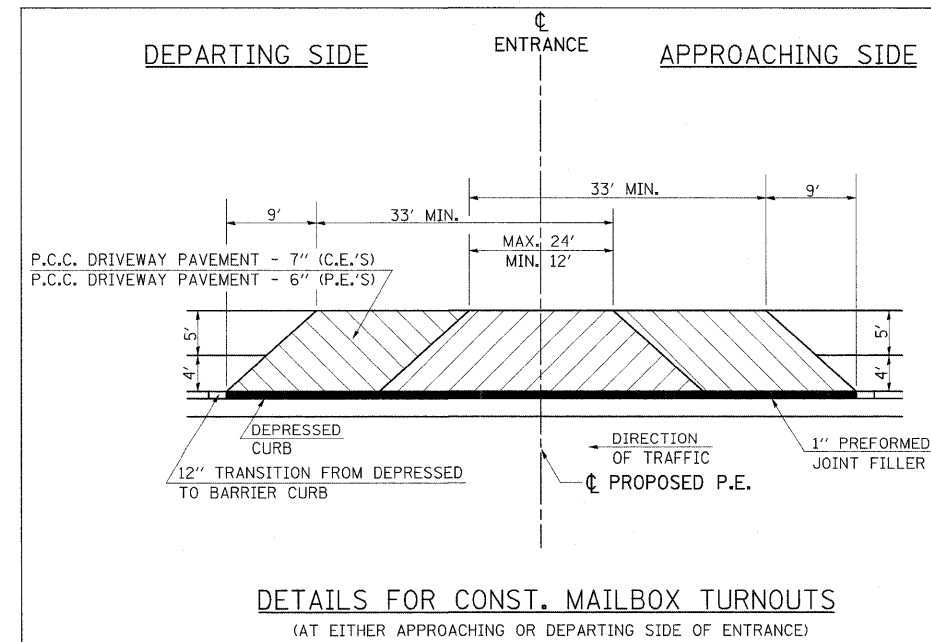
PROFILE OF CITY STREETS

GENERAL NOTES

- SEE PLAN SCHEDULES FOR DIMENSIONS AND QUANTITIES.
- SEE CROSS SECTIONS FOR PROPOSED PROFILE OF SIDEROAD AND ENTRANCES.
- IN GENERAL, WIDTH TRANSITION TAPER RATES ARE TO BE 5:1 FOR ENTRANCES, AND 10:1 FOR CITY STREETS.
- THE SAWING OF ALL JOINTS IN PCC DRIVEWAY PAVEMENT AT ALL LOCATIONS DESIGNATED BY THE ENGINEER, SHALL BE CONSIDERED INCIDENTAL TO THE COST OF THE PCC DRIVEWAY PAVEMENT.

LEGEND

- EXISTING AGGREGATE SURFACE:
CONSTRUCT AGGREGATE SURFACE CSE, TYPE A WEDGE TO MATCH EXISTING GRADE. USE 6" MIN. (8" MIN. FOR CITY STREETS) THICKNESS FOR ANY REQUIRED WIDENING.
- EXISTING BITUMINOUS SURFACE:
USE 2" MIN. BITUMINOUS RESURFACING ON 4" MIN. (6" MIN. FOR CITY STREETS) AGGREGATE BASE COURSE.
- EXISTING CONCRETE SURFACE:
P.C.C. DRIVEWAY PAVEMENT 6" P.E.'S
P.C.C. DRIVEWAY PAVEMENT 7" C.E.'S
P.C.C. DRIVEWAY PAVEMENT 8" CITY STREETS



DETAILS FOR CONST. MAILBOX TURNOUTS

(AT EITHER APPROACHING OR DEPARTING SIDE OF ENTRANCE)

REVISIONS	
DRAWN	10-22-90
REVISED	9-6-91
REVISED	10-21-91
RESIZED	5-8-08

STD. 9-84