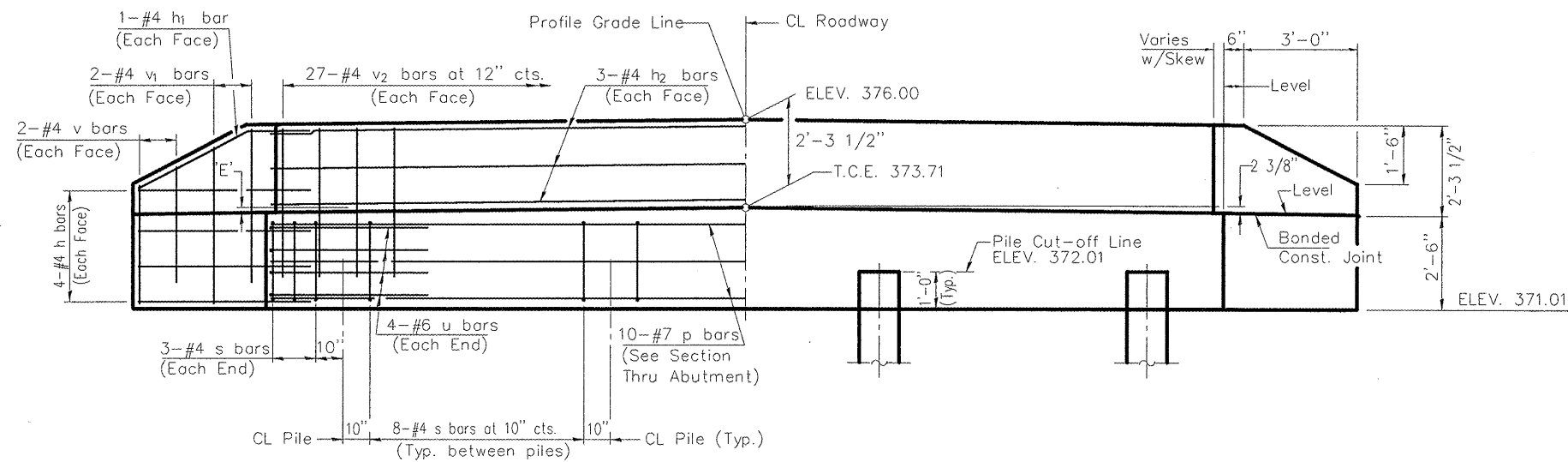


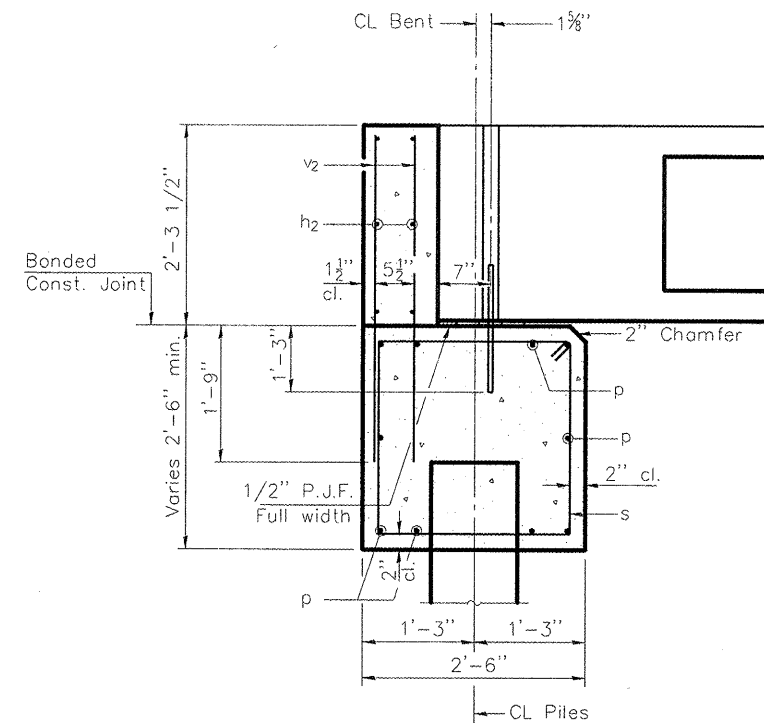
**PLAN**  
(‘D’=Designated Skew Angle)



**ELEVATION**

**NOTES**

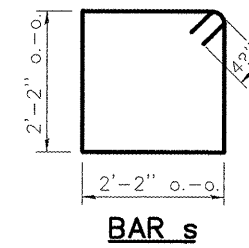
1. The Backwall and the portion of the Wingwalls above the bonded construction joint shall be cast against the in-place beam.
2. Reinforcement bars shall conform to the requirements of A.A.S.H.T.O. M-31 or M-322, Grade 60.
3. Space reinforcement in cop to miss anchor bolts.



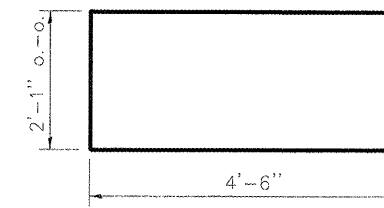
**SECTION THRU ABUTMENT**  
(At Right Angles)

**BILL OF MATERIAL FOR ONE ABUTMENT**

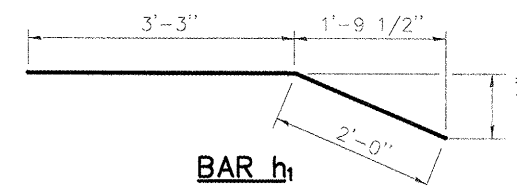
Bar	No.	Size	Length	Shape
h	16	#4	5'-0"	—
h1	4	#4	5'-3"	—
h2	6	#4	26'-5"	—
p	10	#7	26'-5"	—
s	30	#4	9'-5"	□
u	8	#6	11'-1"	□
v	8	#4	3'-2"	—
v1	8	#4	4'-2"	—
v2	54	#4	3'-11"	—
Concrete Structures			9.7	Cu. Yds.
Reinforcement Bars			1220	Lb.



**BAR s**



**BAR u**



**BAR h1**

**DESIGN STRESSES**

$f'_c = 3,500$  psi  
 $f_y = 60,000$  psi

**PILE BENT ABUTMENT**

24' RDWY. | 27" BMS.

STRUCTURE NO. 083-3238