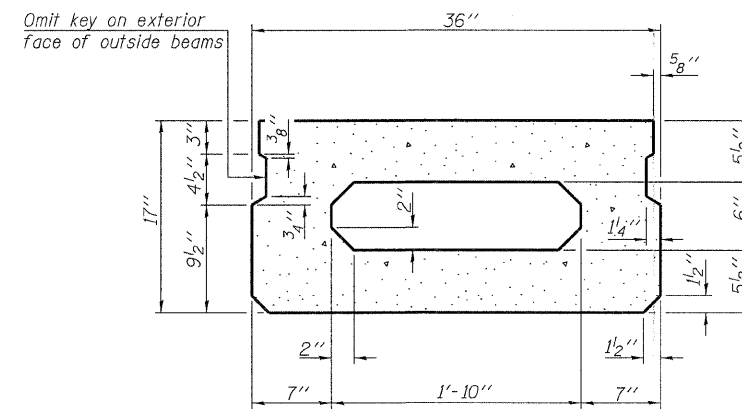
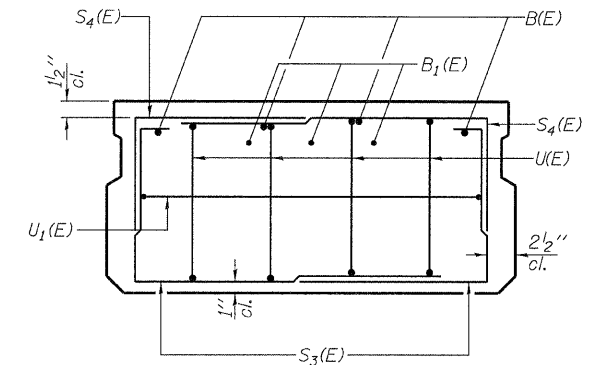


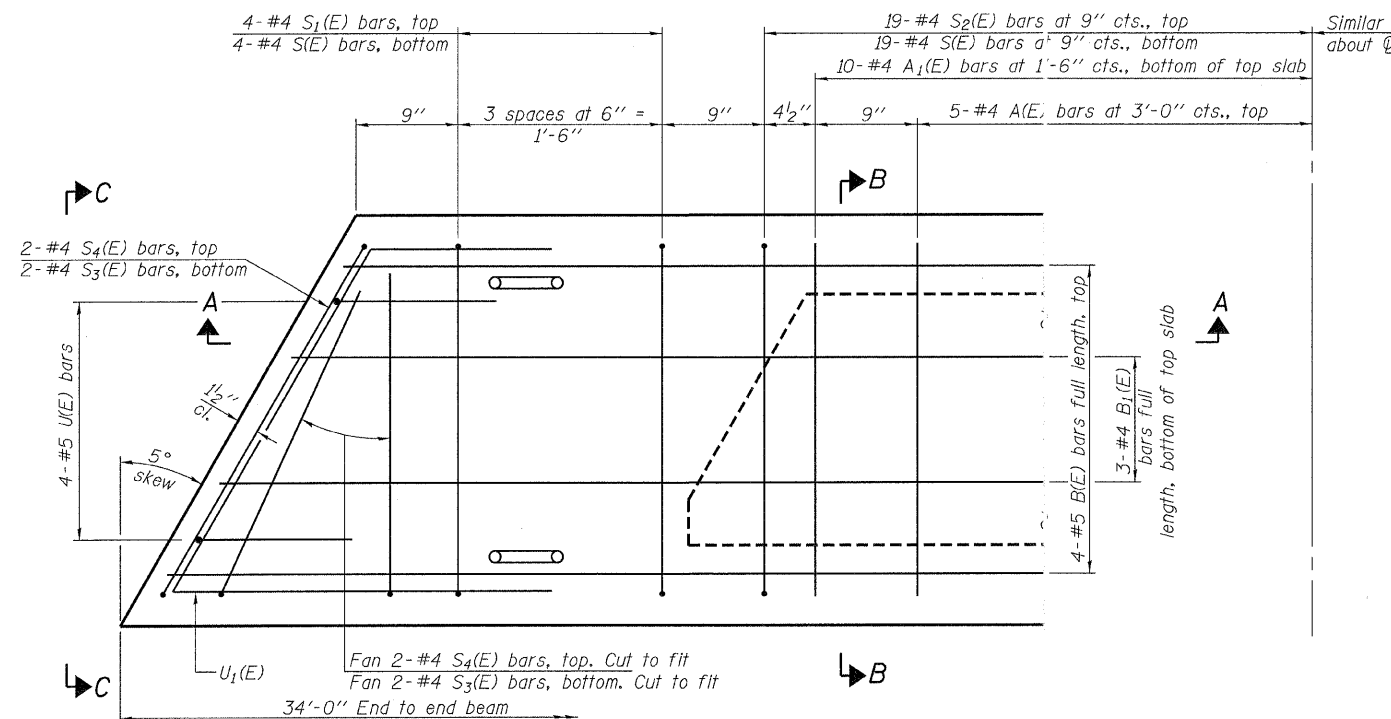
SECTION A-A



SECTION B-B
(Showing dimensions)

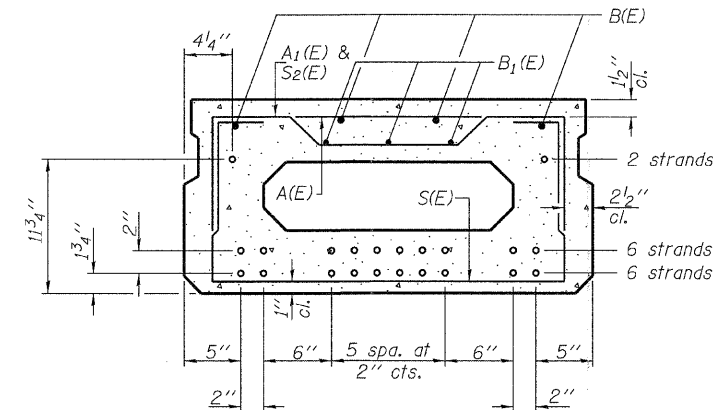


VIEW C-C



PLAN VIEW

Note: Spacing of S(E) and S2(E) bars may be adjusted up to 4" in the immediate area of the transverse tie diaphragms to miss the block outs for the transverse ties.



SECTION B-B

(Showing reinforcement and permissible strand locations)

Note: Place the number of strands specified in each row symmetrically about the centerline of beam in the permissible strand locations shown.

BAR LIST
ONE BEAM ONLY
(For information only)

Bar	No.	Size	Length	Shape
A(E)	10	#4	2'-7"	—
A1(E)	20	#4	2'-10"	—
B(E)	4	#5	33'-8"	—
B1(E)	3	#4	33'-8"	—
S(E)	46	#4	5'-9"	U
S1(E)	8	#4	4'-3"	U
S2(E)	36	#4	4'-6"	U
S3(E)	8	#4	4'-2"	U
S4(E)	8	#4	3'-5"	U
U(E)	8	#5	3'-8"	U
U1(E)	2	#4	5'-3"	U

Note: See sheets 3 & 6 of 12 for additional details and Bill of Material.

MINIMUM BAR LAP

#4 bar = 2'-0"
#5 bar = 2'-6"

PD-1736-L

7-1-10

FILE NAME = 010172-ah-bridge.dgn	USER NAME =	DESIGNED - A.S.L.	REVISED - 05/26/10
HAMPTON, LENZINI AND RENWICK, INC. 3085 STEVENSON DRIVE, SUITE 201 SPRINGFIELD, ILLINOIS 62703 ILLINOIS PROFESSIONAL DESIGN FIRM (L) PE/SE CORP. 184-000969	CHECKED - S.W.M.	CHECKED - S.W.M.	REVISED - 07/13/10
PLOT SCALE =	DRAWN - D.A.B.	REVISOR -	REVISED -
PLOT DATE =	CHECKED - S.W.M.	REVISOR -	REVISED -

STATE OF ILLINOIS
JEFFERSON COUNTY HIGHWAY DEPARTMENT

17" x 36" PPC DECK BEAM - SPANS 1 & 3
STRUCTURE NO. 041-9932

SHEET NO. 2 OF 12 SHEETS

T.R.	SECTION	COUNTY	TOTAL SHEETS	SHEET NO.
165B	05-16113-00-BR	JEFFERSON	34	24
WEBBER ROAD DISTRICT		CONTRACT NO. 99440		
ILLINOIS FED. AID PROJECT				