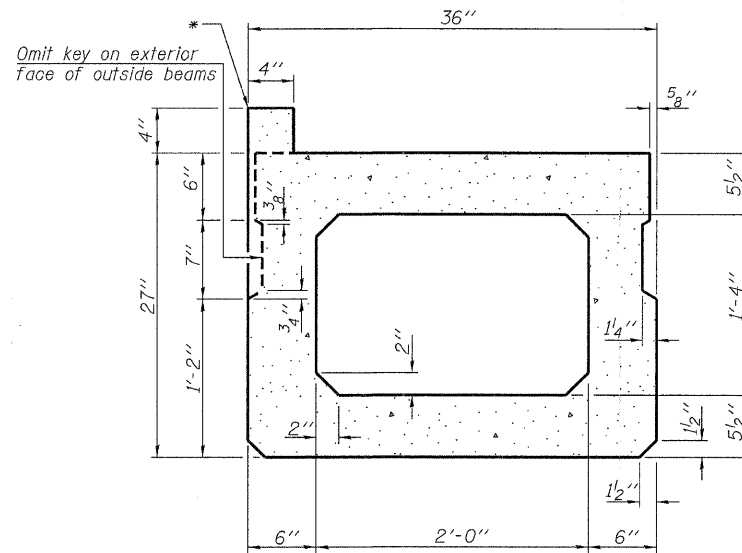
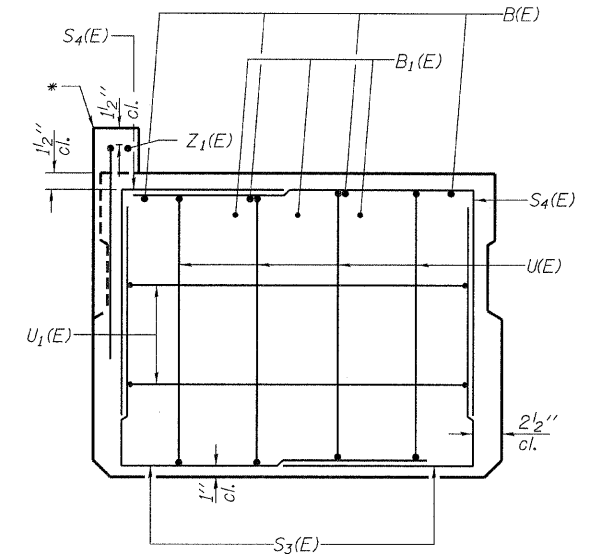


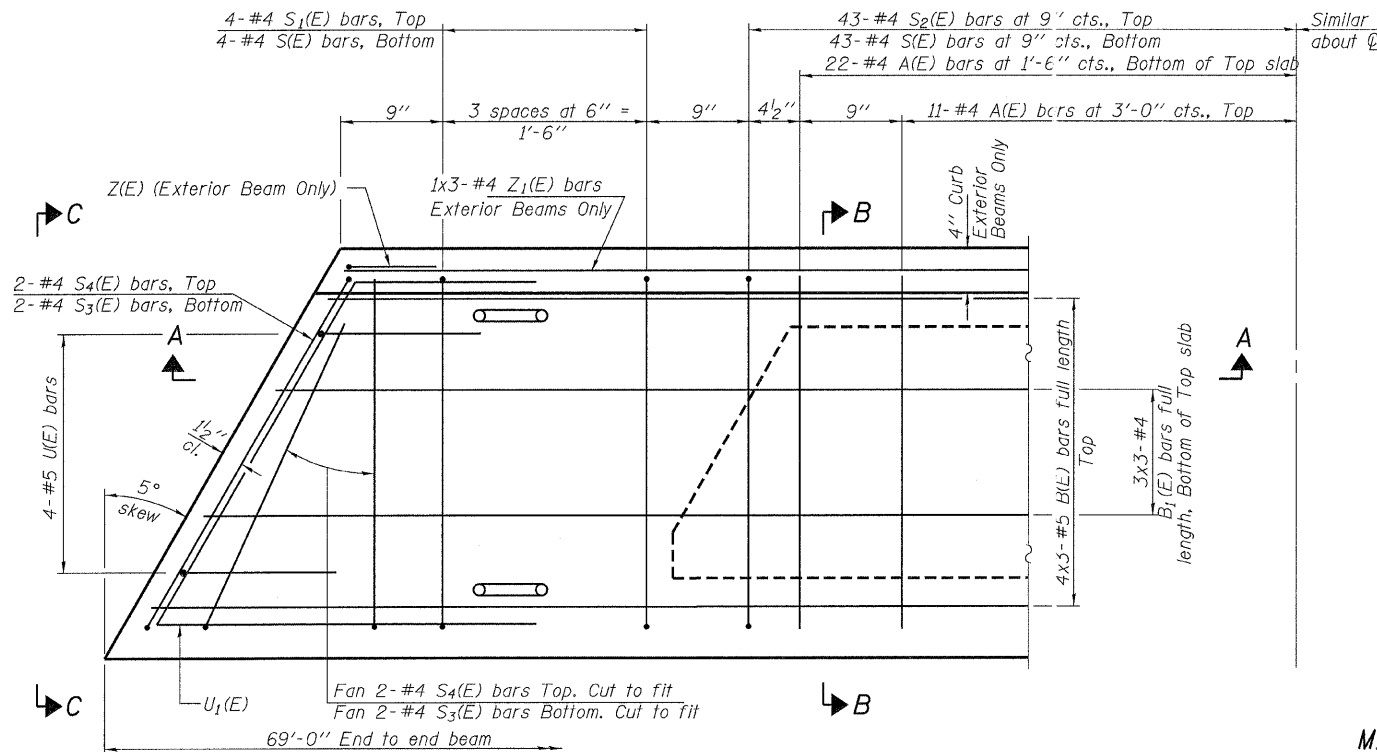
SECTION A-A



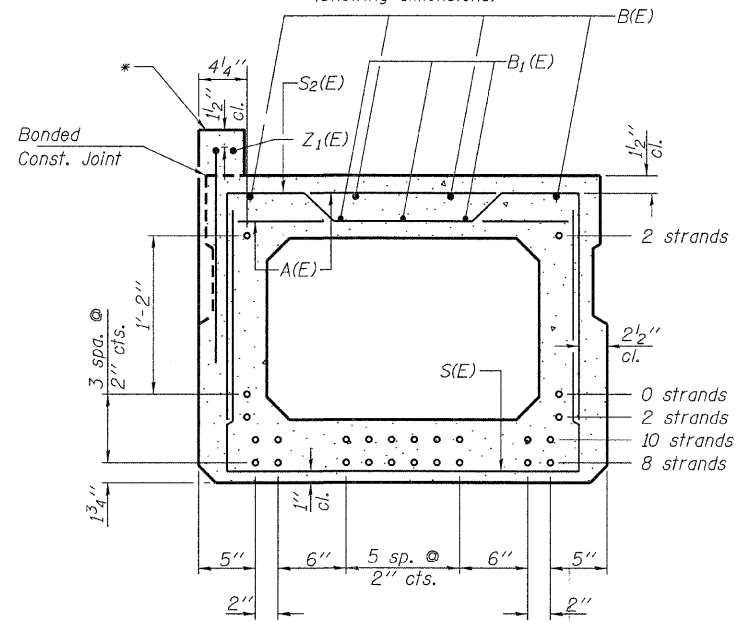
SECTION B-B  
(Showing dimensions)



VIEW C-C



PLAN VIEW



SECTION B-B  
(Showing reinforcement and permissible strand locations)  
Note: Place the number of strands specified in each row symmetrically about the centerline of beam in the permissible strand locations shown.

\*Drainage curb shall be constructed on outside beams center span only. Concrete shall be cast only after strands release.

BAR LIST  
ONE BEAM ONLY  
(For information only)

Bar	No.	Size	Length	Shape
A(E)	66	#4	2'-7"	—
B(E)	12	#5	24'-7"	—
B1(E)	9	#4	24'-3"	—
S(E)	94	#4	6'-5"	┌
S1(E)	8	#4	5'-11"	┌
S2(E)	86	#4	6'-2"	┌
S3(E)	8	#4	4'-2"	┌
S4(E)	8	#4	3'-11"	┌
U(E)	8	#5	4'-6"	┌
U1(E)	4	#4	5'-3"	┌
Z(E)	*47	#4	2'-11"	┌
Z1(E)	*3	#4	24'-3"	—

Note: See sheets 5 & 6 of 12 for additional details and Bill of Material.

MINIMUM BAR LAP  
#4 bar = 2'-0"  
#5 bar = 2'-6"

Notes:  
Spacing of S(E) and S2(E) bars may be adjusted up to 4" in the immediate area of the transverse tie diaphragms to miss the block outs for the transverse ties.  
Bars indicated thus 4x3-#5 etc. indicates 4 lines of bars with 3 lengths per line.

PD-2736-L

7-1-10

FILE NAME = 090172-sht-bridge.dgn	USER NAME =	DESIGNED - A.S.L.	REVISED - 05/26/10
HAMPTON, LENZINI AND RENWICK, INC.	CHECKED - S.W.M.	CHECKED - S.W.M.	REVISED - 07/13/10
3085 STEVENSON DRIVE, SUITE 201 SPRINGFIELD, ILLINOIS 62765	PLOT SCALE =	DRAWN - D.A.B.	REVISED -
ILLINOIS PROFESSIONAL DESIGN FIRM L8 / PE / SE CORP. 184.000969	PLOT DATE =	CHECKED - S.W.M.	REVISED -

STATE OF ILLINOIS  
JEFFERSON COUNTY HIGHWAY DEPARTMENT

27" x 36" PPC DECK BEAM - SPAN 2  
STRUCTURE NO. 041-9932

SHEET NO. 4 OF 12 SHEETS

T.R.	SECTION	COUNTY	TOTAL SHEETS	SHEET NO.
165B	05-16113-00-BR	JEFFERSON	34	26
WEBBER ROAD DISTRICT		CONTRACT NO. 99440		
ILLINOIS FED. AID PROJECT				