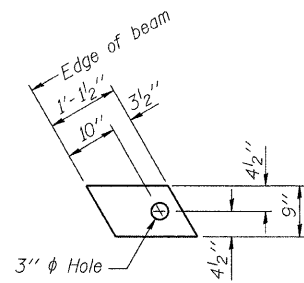


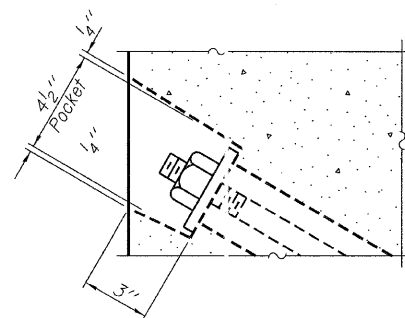
**FABRIC BEARING PAD**  
(Interior - 16 Req'd)



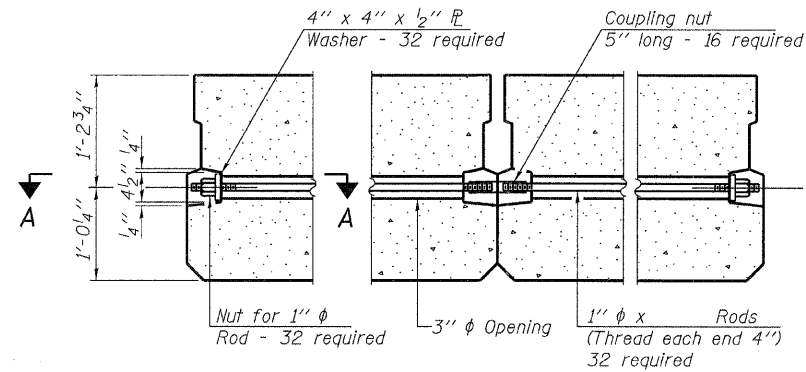
**FABRIC BEARING PAD**  
(Exterior - 4 Req'd)

**FIXED**

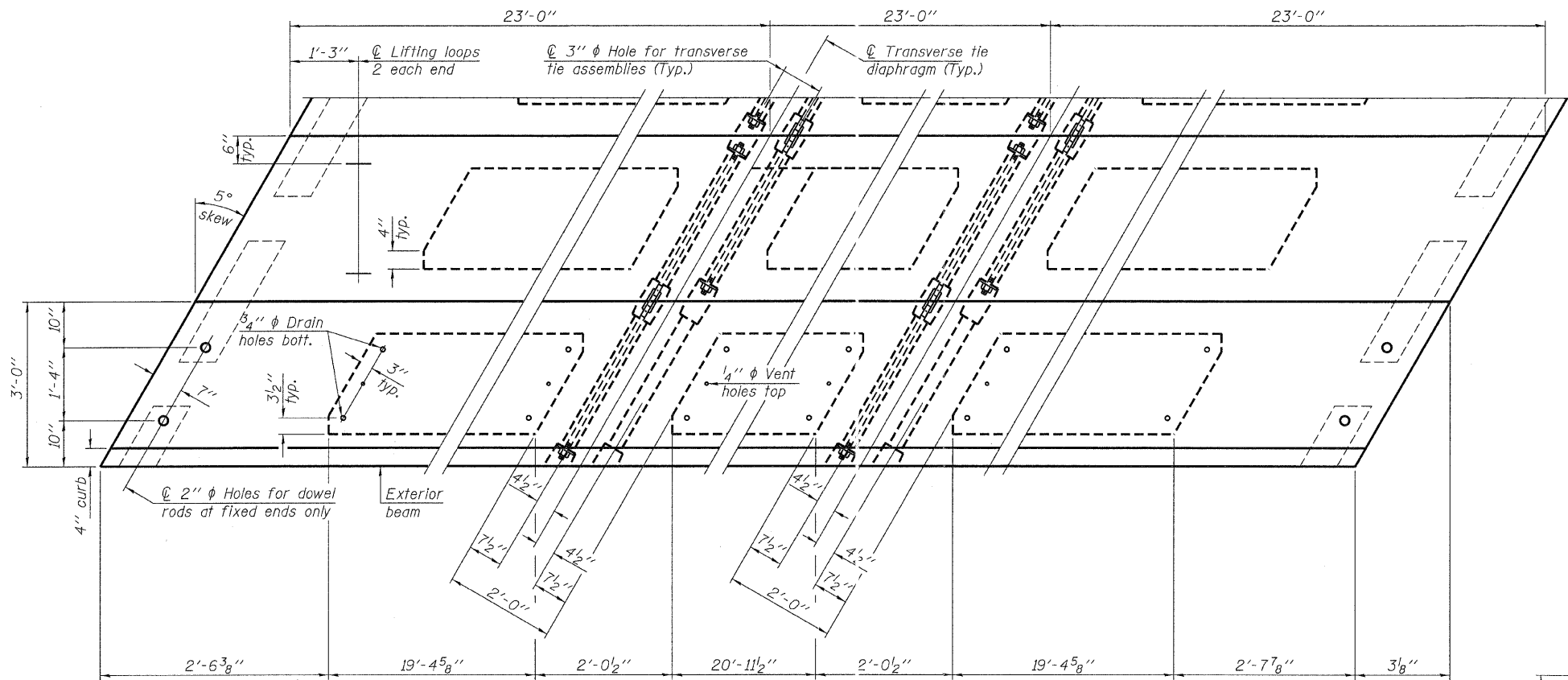
Notes:  
All bearing pads shall be 1" thick.  
Omit holes when using expansion bearings.  
Expansion bearing pad shall be bonded to the substructure.



**SECTION A-A**



**TYPICAL TRANSVERSE TIE ASSEMBLY**

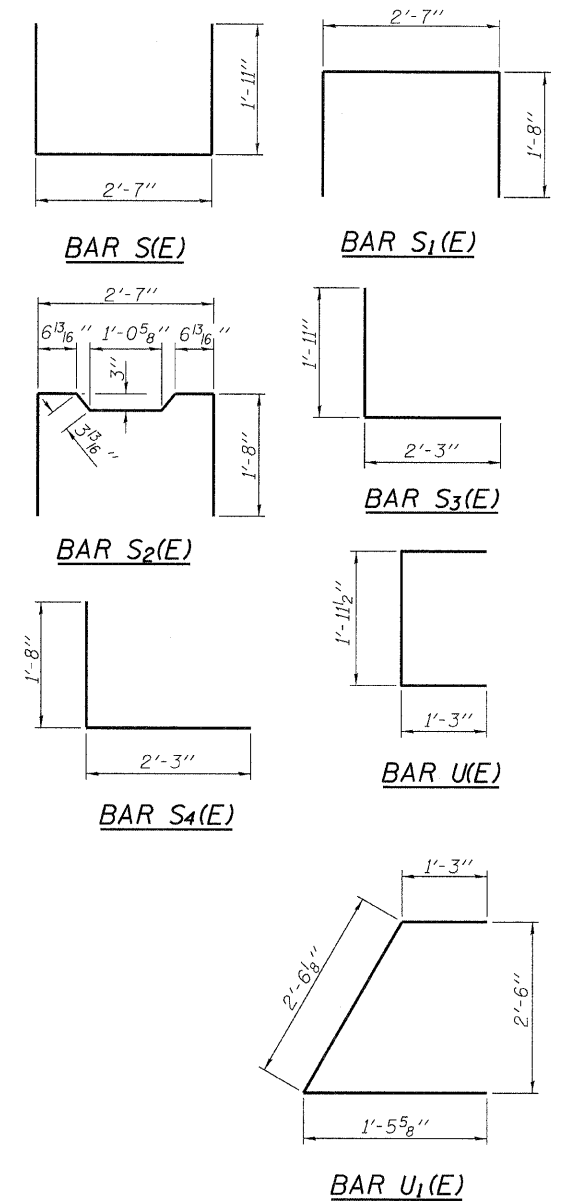


**PLAN VIEW**

**NOTES**

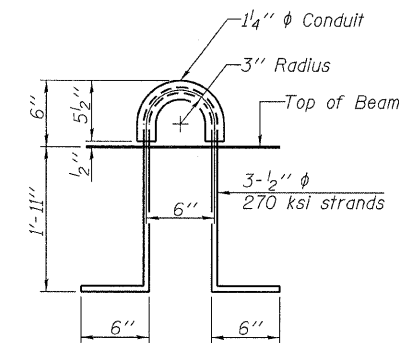
Prestressing steel shall be uncoated high strength, low relaxation 7-wire strand, Grade 270. The nominal diameter shall be 1/2" and the nominal cross-sectional area shall be 0.153 sq. in. The 1" rods in the transverse tie assembly shall be tightened to a snug fit and the threads set. Pockets on exterior faces of bridge shall be filled with grout after transverse tie assembly is in place.  
Reinforcement bars shall conform to ASTM A 706, Grade 60. (See Special Provisions).  
Two 5/8" fabric adjusting shims of the dimensions of the exterior bearing pad shall be provided for each bearing pad location.  
A minimum 2 1/2" diameter lifting pin shall be used to engage the lifting loops during handling.  
Corrosion Inhibitor, per Article 1020.05(b)(12) and 1021.06 of the Standard Specifications, shall be used in the concrete for precast prestressed concrete deck beams.  
Compressive strength of prestressed concrete, f'c, shall be 6000 psi.  
Compressive strength of prestressed concrete at release, f'ci, shall be 5000 psi.  
All reinforcement bars shall be epoxy coated.

Note: Connect beams in pairs with the transverse tie configuration shown.



**BILL OF MATERIAL**

Precast Prestressed Conc. Deck Bms. (27" depth)	Sq. Ft.	1,863
---	---------	-------



**LIFTING LOOP DETAIL**

**SUPERSTRUCTURE DETAILS - SPAN 2**  
**27" X 36" PPC DECK BEAM DETAILS**

PD-2736-LD 7-1-10

FILE NAME = 090172-shr-bridge.dgn	USER NAME =	DESIGNED - A.S.L.	REVISED - 05/26/10	<b>STATE OF ILLINOIS</b> <b>JEFFERSON COUNTY HIGHWAY DEPARTMENT</b>	<b>27" x 36" PPC DECK BEAM DETAILS - SPAN 2</b> <b>STRUCTURE NO. 041-9932</b>	T.R.	SECTION	COUNTY	TOTAL SHEETS	SHEET NO.
HAMPTON, LENZINI AND RENWICK, INC.		CHECKED - S.W.M.	REVISED - 07/13/10			165B	05-16113-00-BR	JEFFERSON	34	27
3535 STEVENSON DRIVE, SUITE 201 SPRINGFIELD, ILLINOIS 62703	PLOT SCALE =	DRAWN - D.A.B.	REVISED -			WEBBER ROAD DISTRICT		CONTRACT NO. 99440		
ILLINOIS PROFESSIONAL DESIGN FIRM L8 / PE / SE CORP. 184-000999	PLOT DATE =	CHECKED - S.W.M.	REVISED -			SHEET NO. 5 OF 12 SHEETS		ILLINOIS FED. AID PROJECT		