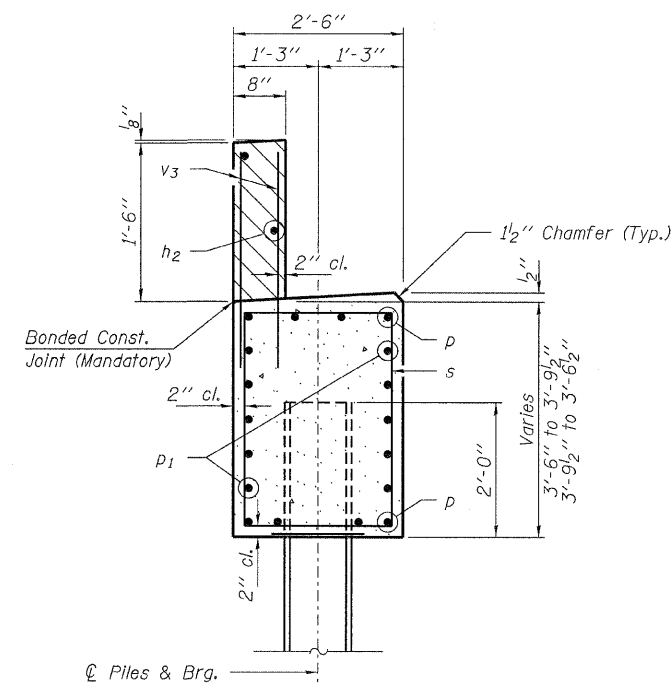
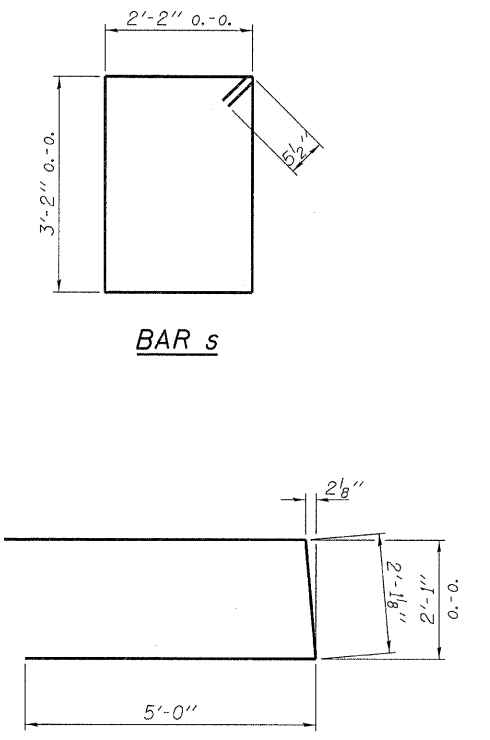


PLAN

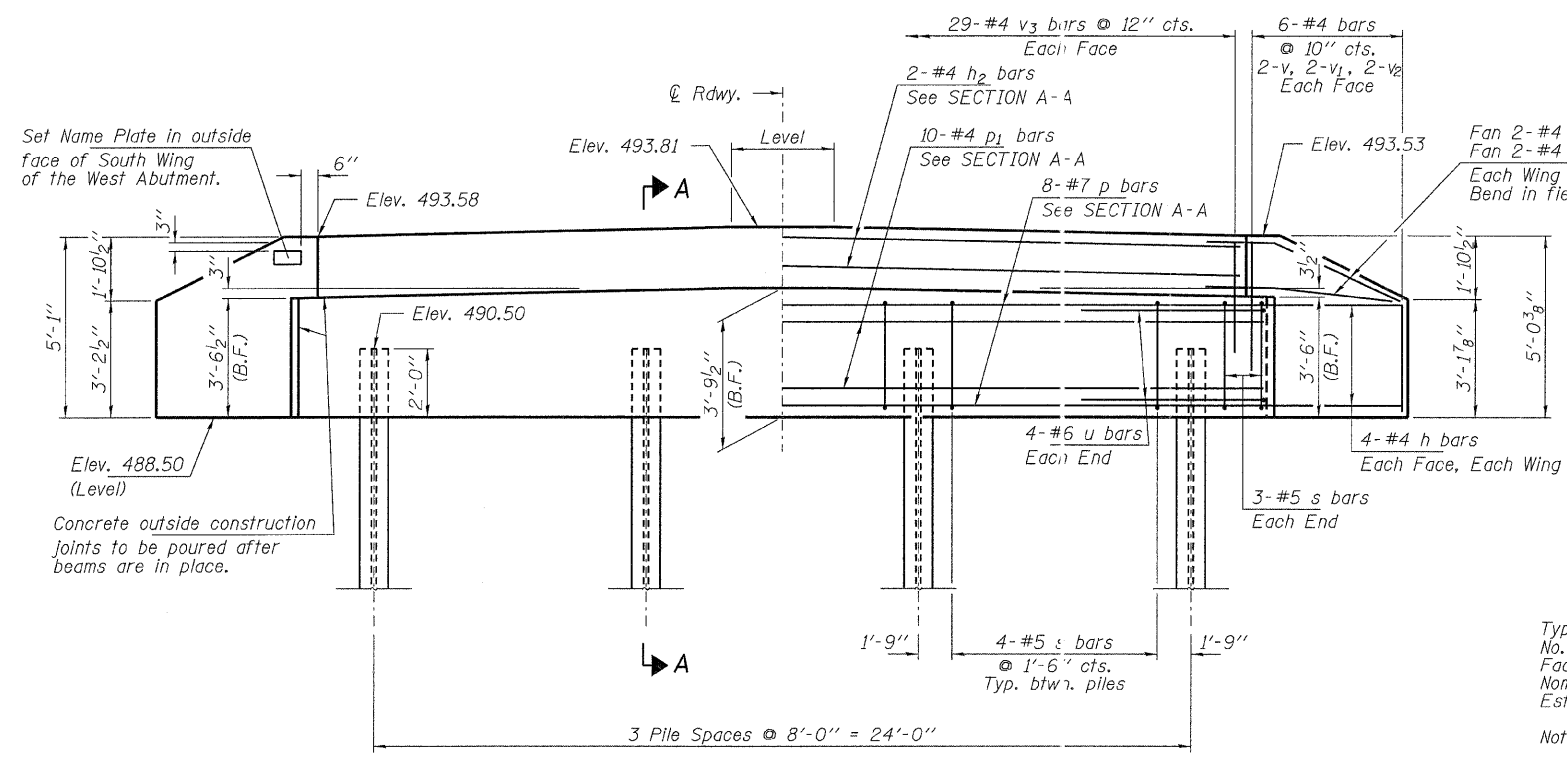


SECTION A-A



BAR s

BAR u



ELEVATION

PILE DATA

Type ----- Steel HP12x53
 No. Req'd. (2 Abut.) ----- 8
 Factored Resistance Available (Rf) ----- 209 Kips/Pile
 Nominal Required Bearing (Rn) ----- 419 Kips/Pile
 Est. Length ----- 45 Ft/Pile

Notes: The Steel H-Piles shall be according to AASHTO M270 Grade 50.

BILL OF MATERIAL - 2 ABUTS.

BAR	NO.	SIZE	LENGTH	SHAPE
h	40	#4	6'-0"	—
h1	8	#4	4'-6"	—
h2	4	#4	28'-4"	—
p	16	#7	28'-4"	—
p1	20	#4	28'-4"	—
s	38	#5	11'-7"	□
u	16	#6	12'-2"	—
v	16	#4	4'-10"	—
v1	16	#4	4'-0"	—
v2	16	#4	3'-0"	—
v3	116	#4	2'-8"	—
Concrete Structures			Cu. Yd.	24.4
Reinforcement Bars			Pound	2,650
Steel Piles HP12x53			Foot	360
Name Plates			Each	1