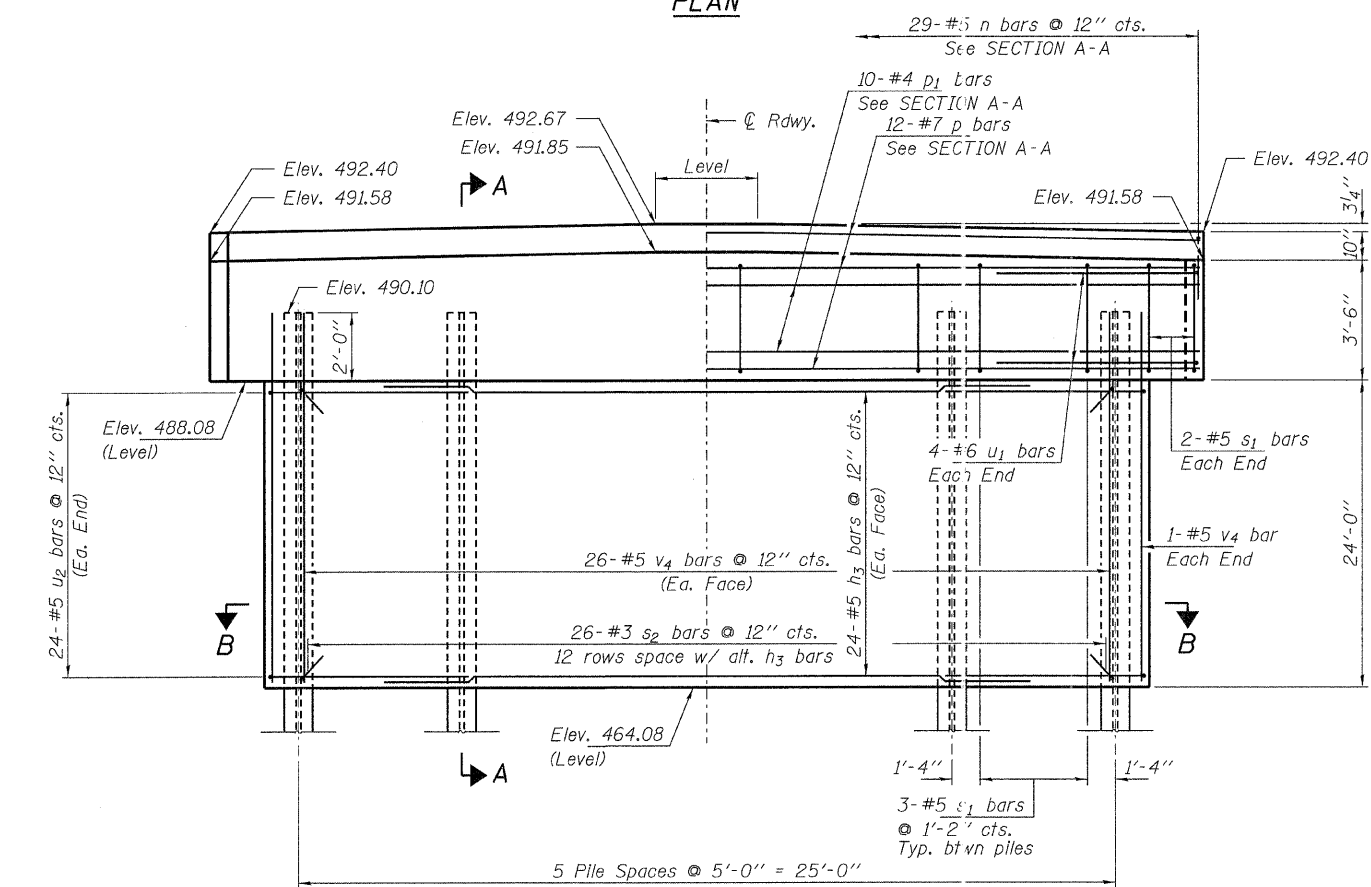
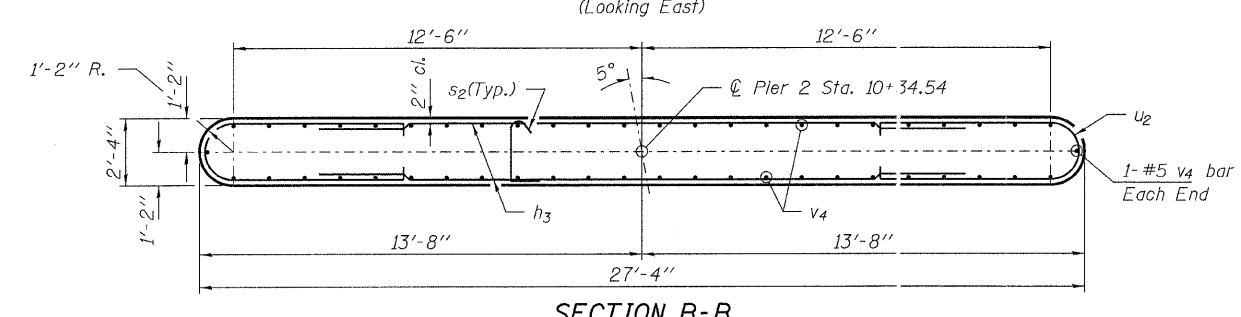


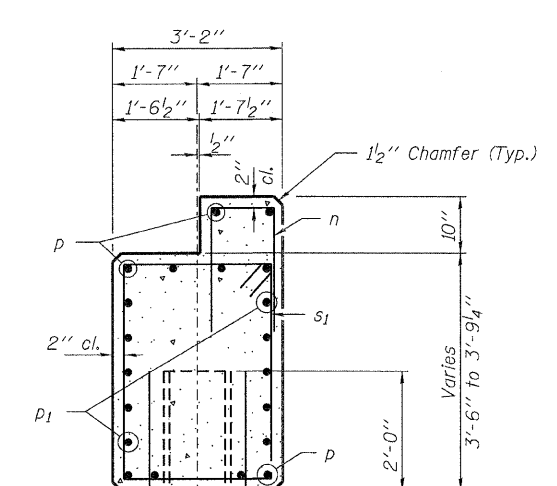
PLAN



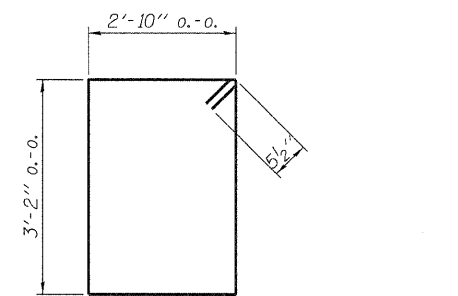
ELEVATION
(Looking East)



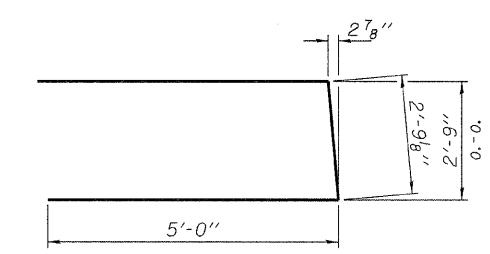
SECTION B-B



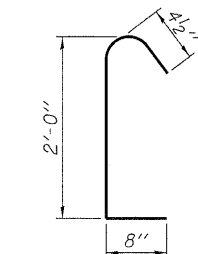
SECTION A-A



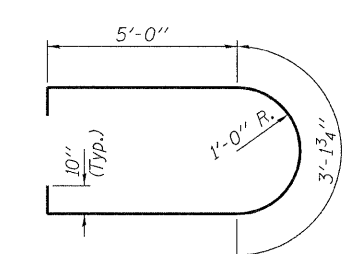
BAR s1



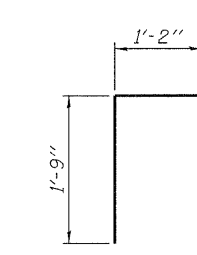
BAR u1



BAR s2



BAR u2



BAR n

MIN. BAR LAP
#5 = 1'-8"

PILE DATA

Type ----- Steel HP12x53
 No. Req'd. (Pier 2) ----- 6
 Factored Resistance Available (Rf) ----- 209 Kips/Pile
 Nominal Required Bearing (Rn) ----- 419 Kips/Pile
 Est. Length ----- 45 Ft/Pile

Notes: The Steel H-Piles shall be according to AASHTO M270 Grade 50.

BILL OF MATERIAL - PIER 2

BAR	NO.	SIZE	LENGTH	SHAPE	
h3	48	#5	19'-0"	—	
n	29	#5	4'-8"	□	
p	12	#7	28'-4"	—	
p1	10	#4	28'-4"	—	
s1	19	#5	12'-11"	□	
s2	312	#3	3'-1"	┌	
u1	8	#6	12'-10"	U	
u2	48	#5	14'-10"	U	
v4	54	#5	25'-10"	—	
Concrete Structures				Cu. Yd.	69.3
Reinforcement Bars				Pound	4,950
Steel Piles HP12x53				Foot	270

PIER 2