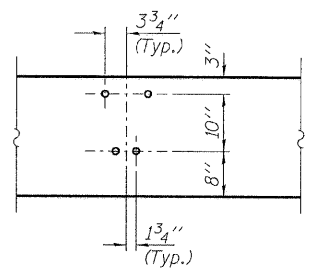
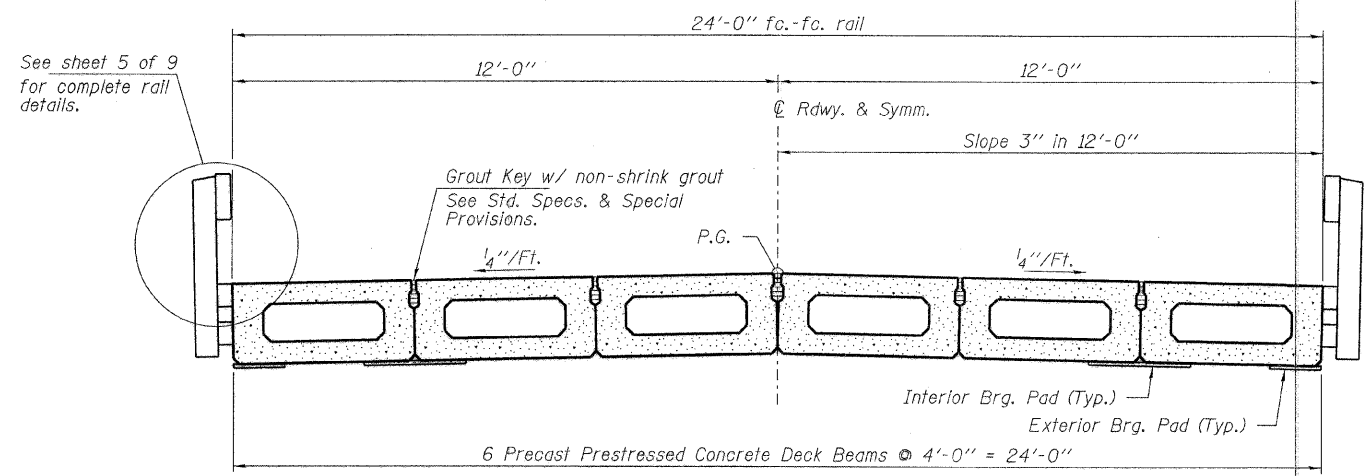


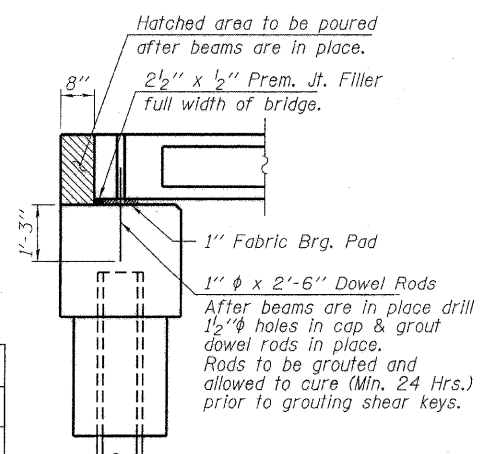
ELEVATION
Showing Rail Post Spaces
See sheet 5 of 9 for Railing Details.



DETAIL A



CROSS SECTION
See sheets 2 & 3 of 9 for Superstructure.



SECTION AT ABUTMENTS
© Rt. L's

DESIGNED -	A.S.L.
CHECKED -	S.W.M.
DRAWN -	D.T.M.
CHECKED -	S.W.M.

SUPERSTRUCTURE DETAILS
STRUCTURE NO. 097-3273

HAMPTON, LENZINI AND RENWICK, INC. <small>CIVIL ENGINEERS • STRUCTURAL ENGINEERS • LAND SURVEYORS</small> HLR <small>184.000659 ILLINOIS PROFESSIONAL DESIGN FIRM LS / PE / SE CORPORATION</small> 3085 STEVENSON DRIVE, SUITE 201 SPRINGFIELD, ILLINOIS 62703 217.546.3400 www.hlrengineering.com	SHEET NO. 4 9 SHEETS	T.R.	SECTION	COUNTY	TOTAL SHEETS	SHEET NO.	
		28A	07-08137-00-BR	WHITE	13	8	
PROJECT NUMBER: 09.0056.130		DATE: 02/10/11		INDIAN CREEK ROAD DISTRICT			CONTRACT NO. 99441
		FED. ROAD DIST. NO.		ILLINOIS FED. AID PROJECT BROS-193(38)			