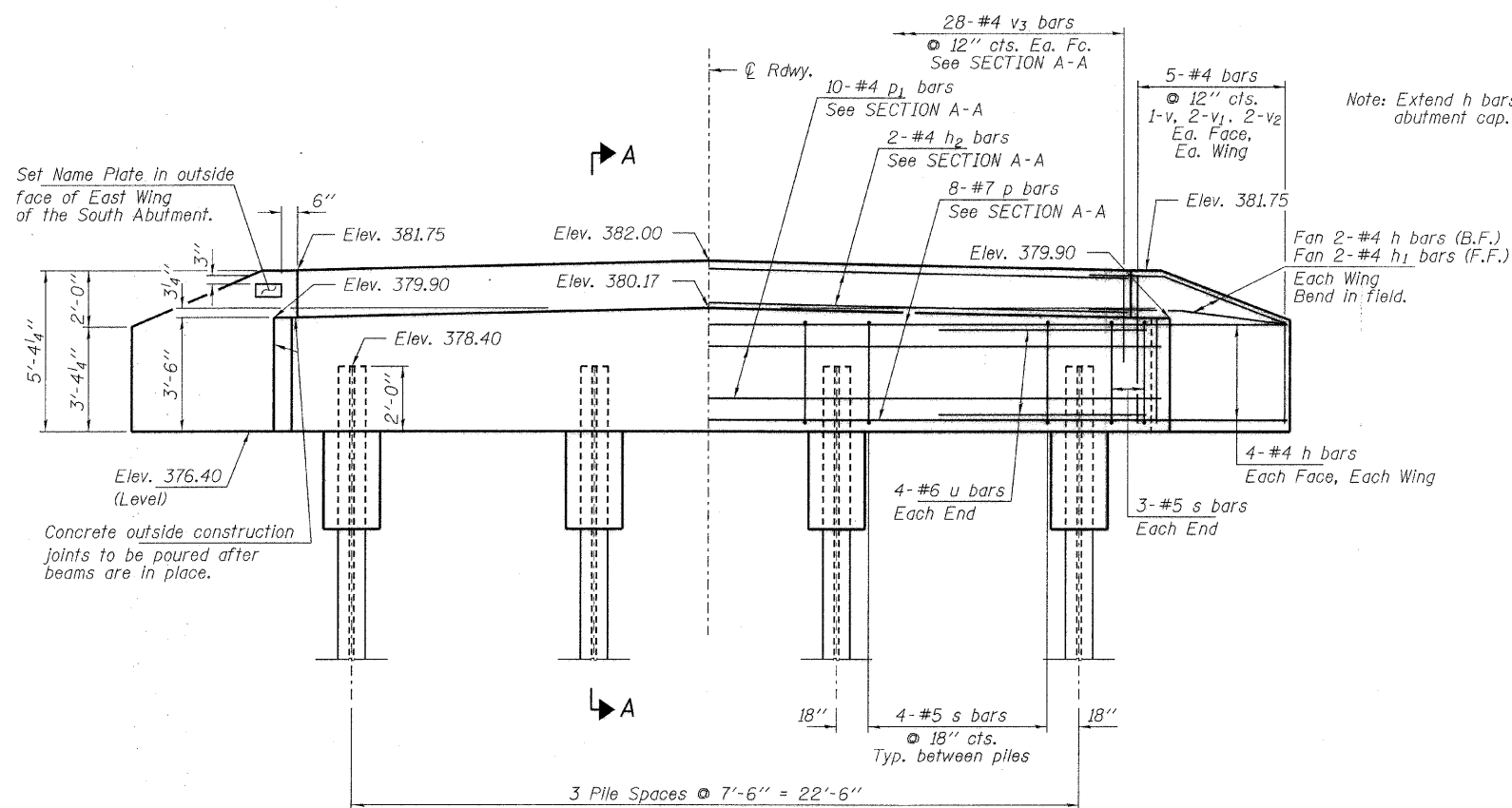
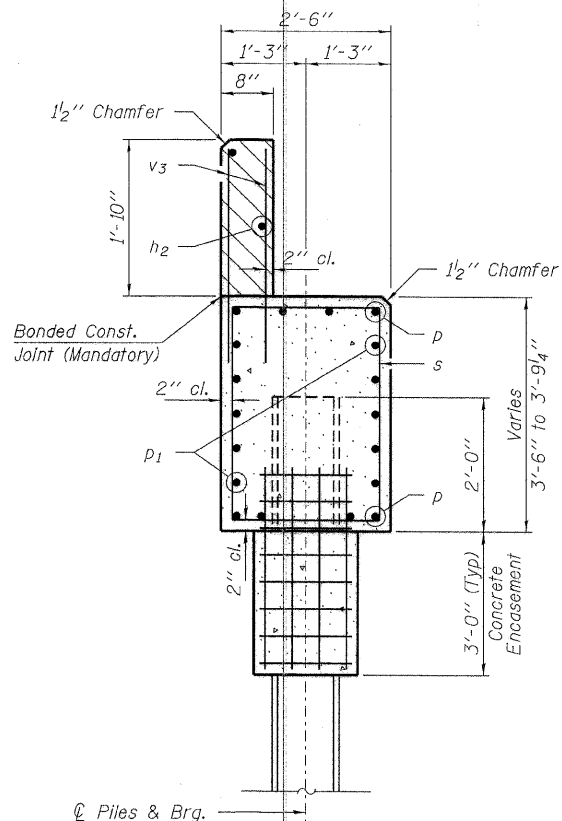


PLAN

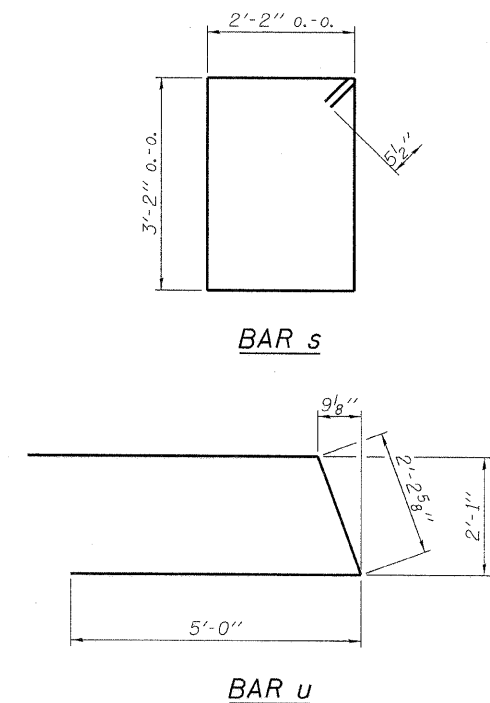


ELEVATION



SECTION A-A

Hatched area to be poured after beams are in place.



BAR s

BAR u

BILL OF MATERIAL - 2 ABUTS.

BAR	NO.	SIZE	LENGTH	SHAPE	
h	40	#4	6'-3"	—	
h1	8	#4	4'-9"	—	
h2	4	#4	26'-10"	—	
p	16	#7	26'-10"	—	
p1	20	#4	26'-10"	—	
s	36	#5	11'-7"	□	
u	16	#6	12'-3"	⊏	
v	8	#4	5'-0"	—	
v1	16	#4	4'-0"	—	
v2	16	#4	3'-0"	—	
v3	112	#4	2'-8"	—	
Concrete Structures				Cu. Yd.	23.8
Concrete Encasement				Cu. Yd.	2.8
Reinforcement Bars				Pound	2,530
Steel Piles HP10x42				Foot	490
Test Pile Steel HP10x42				Each	1
Name Plates				Each	1

PILE DATA

Type	Steel HP10x42
No. Req'd. (2 Abuts.)	8*
Factored Resistance Available (Rf)	167 Kips/Pile
Nominal Required Bearing (Rn)	335 Kips/Pile
Est. Length	70 Ft/Pile

Notes: * Includes one test pile to be driven in permanent locations at the South Abutment.

The Steel H-Piles shall be according to AASHTO M270 Grade 50.

The test piles shall be driven to 110 percent of the Nominal Required Bearing indicated in the pile data information.

ABUTMENTS
STRUCTURE NO. 097-3273

DESIGNED - A.S.L.
CHECKED - S.W.M.
DRAWN - D.T.M.
CHECKED - S.W.M.

HAMPTON, LENZINI AND RENWICK, INC.
 CIVIL ENGINEERS - STRUCTURAL ENGINEERS - LAND SURVEYORS
 3085 STEVENSON DRIVE, SUITE 201
 SPRINGFIELD, ILLINOIS 62703
 217.546.3400 www.hirengineering.com

SHEET NO. 6
9 SHEETS

T.R.	SECTION	COUNTY	TOTAL SHEETS	SHEET NO.
28A	07-08137-00-BR	WHITE	13	10
INDIAN CREEK ROAD DISTRICT		CONTRACT NO. 99441		
FED. ROAD DIST. NO.	ILLINOIS	FED. AID PROJECT BROS-193(38)		

PROJECT NUMBER: 09.0056.130 DATE: 02/10/11