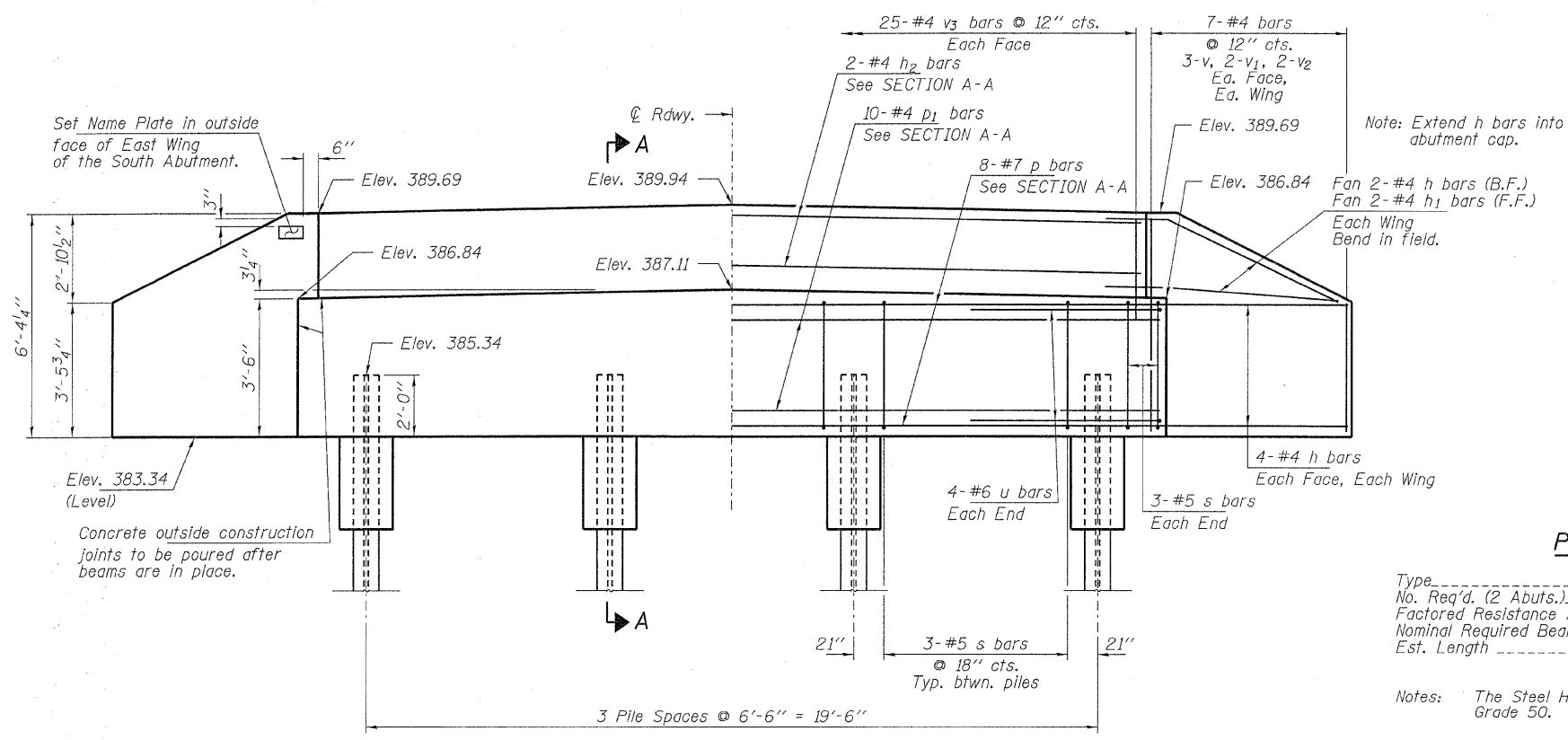
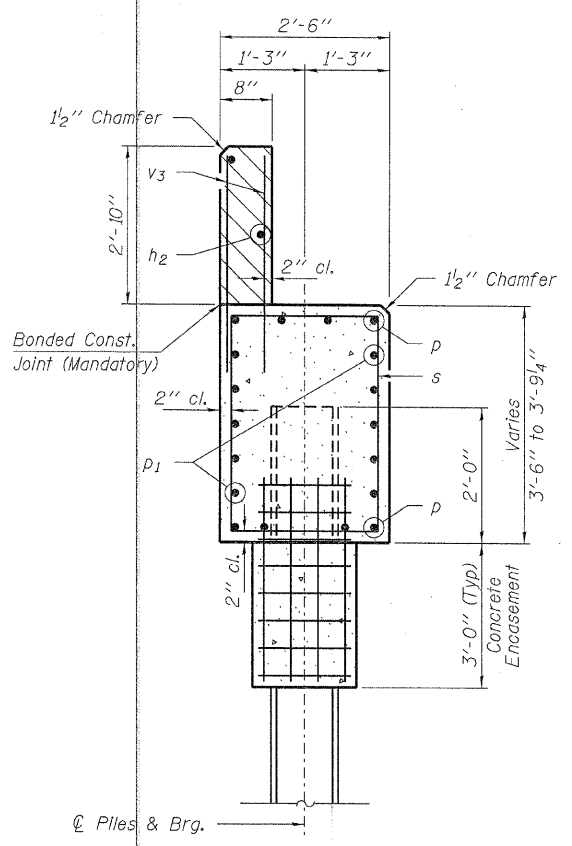


PLAN

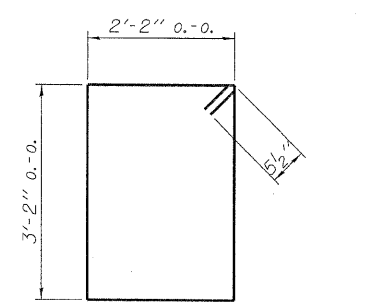


ELEVATION

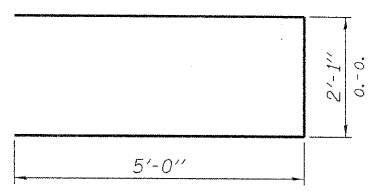


SECTION A-A

Hatched area to be poured after beams are in place.



BAR s



BAR u

PILE DATA

Type	Steel HP12x53
No. Req'd. (2 Abuts.)	8
Factored Resistance Available (Rf)	230 Kips/Pile
Nominal Required Bearing (Rn)	419 Kips/Pile
Est. Length	20 Ft/Pile

Notes: The Steel H-Piles shall be according to AASHTO M270 Grade 50.

BILL OF MATERIAL - 2 ABUTS.

BAR	NO.	SIZE	LENGTH	SHAPE
h	40	#4	8'-0"	—
h1	8	#4	6'-6"	—
h2	4	#4	25'-2"	—
p	16	#7	25'-2"	—
p1	20	#4	25'-2"	—
s	30	#5	11'-7"	□
u	16	#6	12'-1"	U
v	24	#4	5'-3"	—
v1	16	#4	4'-3"	—
v2	16	#4	3'-3"	—
v3	100	#4	3'-8"	—
Concrete Structures			Cu. Yd.	25.4
Concrete Encasement			Cu. Yd.	2.8
Reinforcement Bars			Pound	2,540
Steel Piles HP12x53			Foot	160
Name Plates			Each	1