

STATE OF ILLINOIS DEPARTMENT OF TRANSPORTATION PROPOSED HIGHWAY PLANS

F.A.S. RTE.	SECTION	COUNTY	TOTAL SHEETS	SHEET NO.
317	(36,37)RS-4,SW	IROQUOIS	26	1
		ILLINOIS	CONTRACT NO. 66K78	

INDEX OF SHEETS

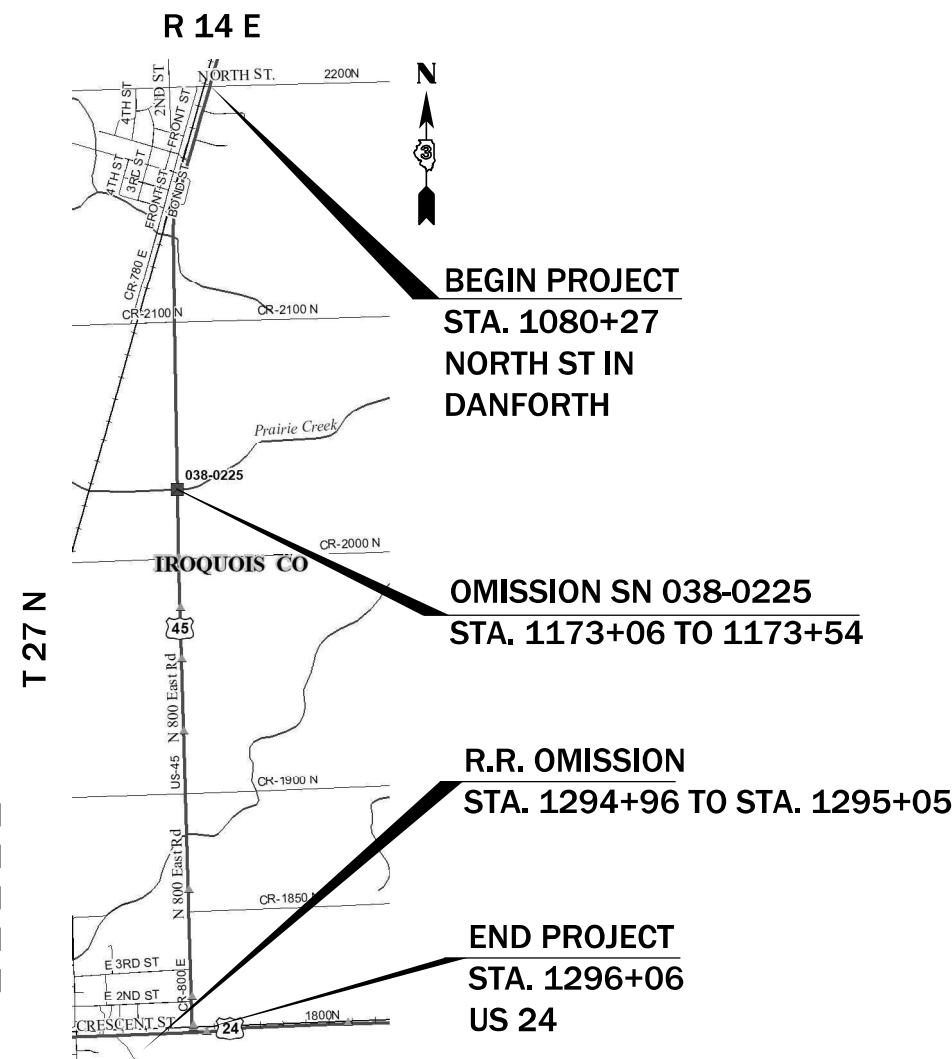
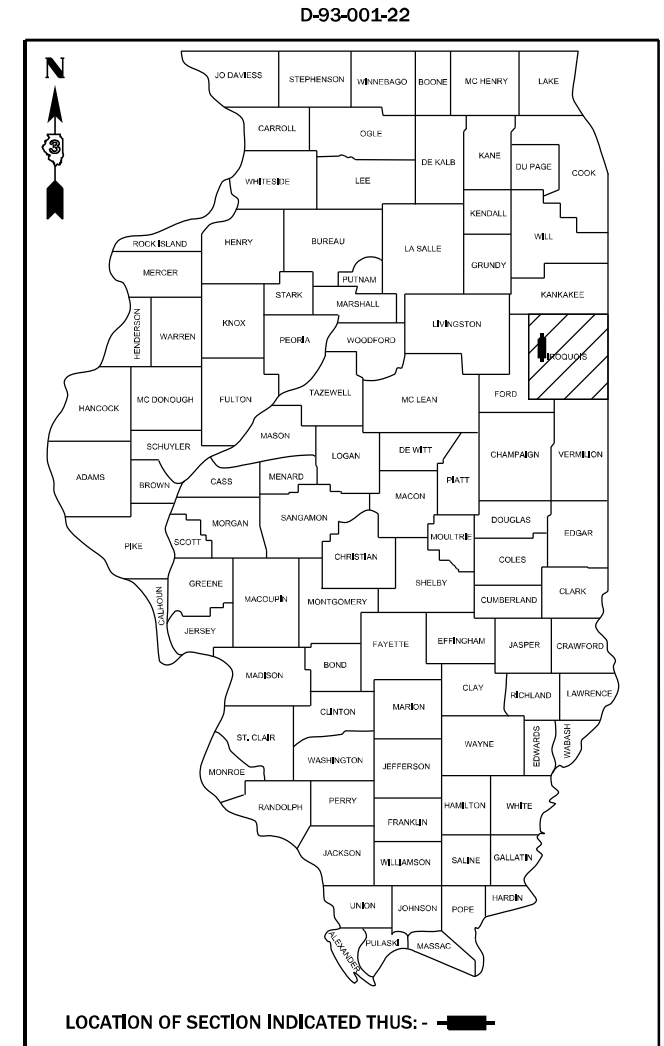
- 1 COVER SHEET
- 2 GENERAL NOTES
- 3-7 SUMMARY OF QUANTITIES
- 8 TYPICAL SECTIONS
- 9-12 SCHEDULES
- 13-20 ADA DETAILS
- 21 CULVERT REPL. DETAILS
- 22 LAYOUT MAP
- 23-26 DETAILS

LIST OF ILLINOIS DOT HIGHWAY STANDARDS

- 000001-08 STANDARD SYMBOLS, ABBREVIATIONS AND PATTERNS
- 001006 DECIMAL OF AN INCH AND OF A FOOT
- 406201-01 MAILBOX TURNOUT
- 424001-11 PERPENDICULAR CURB RAMPS FOR SIDEWALKS
- 424006-05 DIAGONAL CURB RAMPS FOR SIDEWALKS
- 424011-04 CORNER PARALLEL CURB RAMPS FOR SIDEWALKS
- 424016-05 MID-BLOCK CURB RAMPS FOR SIDEWALKS
- 424021-06 DEPRESSED CORNER FOR SIDEWALKS
- 424026-03 ENTRANCE / ALLEY PEDESTRIAN CROSSINGS
- 424031-02 MEDIAN PEDESTRIAN CROSSINGS
- 667101-02 PERMANENT SURVEY MARKERS
- 701006-05 OFF-ROAD OPERATIONS 2L, 2W, 15' (4.5 m) TC 24" (600 mm) FROM PAVEMENT EDGE
- 701201-05 LANE CLOSURE, 2L, 2W, DAY ONLY, FOR SPEEDS ≥ 45 MPH
- 701301-04 LANE CLOSURE, 2L, 2W, SHORT TIME OPERATIONS
- 701306-04 LANE CLOSURE, 2L, 2W, SLOW MOVING OPERATIONS DAY ONLY, FOR SPEEDS ≥ 45 MPH
- 701311-03 LANE CLOSURE, 2L, 2W, MOVING OPERATIONS - DAY ONLY
- 701801-06 SIDEWALK, CORNER OR CROSSWALK CLOSURE
- 701901-08 TRAFFIC CONTROL DEVICES
- 780001-05 TYPICAL PAVEMENT MARKINGS

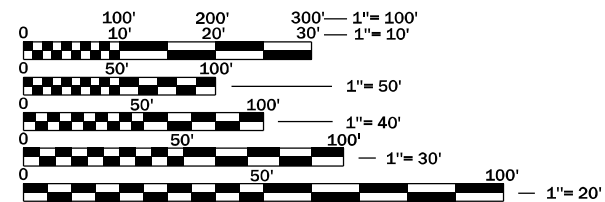
FAS ROUTE 317 (US 45) SECTION (36,37)RS-4,SW PROJECT STP-VZ54(797) MILLING AND RESURFACING, ADA IROQUOIS COUNTY

C-93-017-22



STATIONS EQUATION:
 1108+21.28BK = 1108+22.86AH
 1114+10.04BK = 1114+11.14AH
 1118+29.13BK = 1118+68.40AH
 1150+39.27BK = 1150+00.00AH
 1247+98.02BK = 1248+00.00AH

GROSS LENGTH = 21579 FT. = 4.09 MILE
 NET LENGTH = 21531 FT. = 4.08 MILE



FULL SIZE PLANS HAVE BEEN PREPARED USING STANDARD ENGINEERING SCALES. REDUCED SIZED PLANS WILL NOT CONFORM TO STANDARD SCALES. IN MAKING MEASUREMENTS ON REDUCED PLANS, THE ABOVE SCALES MAY BE USED.

J.U.L.I.E.
 JOINT UTILITY LOCATION INFORMATION FOR EXCAVATION
 1-800-892-0123
 OR 811

PROJECT ENGINEER: BRAD DUNCAN, P.E.
UNIT CHIEF: DARCY CARPENTER
 DISTRICT 3 NO. (815) 434-6131
 CONTRACT NO. 66K78

MAJOR COLLECTOR
 2019 ADT= 1650
 PV=98.9% SU=0.70% MU=0.40%

STATE OF ILLINOIS
 DEPARTMENT OF TRANSPORTATION

SUBMITTED March 24 2022

[Signature]
 REGIONAL ENGINEER

May 13, 2022 *[Signature]*
 ENGINEER OF DESIGN AND ENVIRONMENT

May 13, 2022 *[Signature]*
 DIRECTOR OF HIGHWAYS PROJECT IMPLEMENTATION

**PRINTED BY THE AUTHORITY
 OF THE STATE OF ILLINOIS**

GENERAL NOTES

THE HMA SURFACE OF ALL MAILBOX TURNOUTS, PRIVATE ENTRANCES, COMMERCIAL ENTRANCES, AND SIDE ROADS SHALL BE MADE NEATLY, IN A WORKMANLIKE MANNER, AND SHALL ACCURATELY CONFORM TO THE SHAPES AND DIMENSIONS SHOWN ON THE PLAN DETAILS. IF REQUIRED BY THE ENGINEER, THE CONTRACTOR SHALL SAW CUT THE HMA SURFACE TO CONFORM TO THE SHAPES AND DIMENSIONS SHOWN ON THE PLAN DETAILS. THIS WORK WILL BE INCLUDED IN THE COST OF THE HMA SURFACE.

EXCEPT AS NOTED ON THE PLANS, PAVEMENT GRADES SHOWN ARE AT THE TOP OF PAVEMENT SURFACES.

THE ENGINEER WILL BE THE SOLE JUDGE CONCERNING CURING TIME FOR THE VARIOUS HMA LIFTS.

ON EXISTING PAVEMENT WHICH MAY BE SUPERELEVATED, THE NEW HMA PAVEMENT SHALL BE BUILT WITH THE SAME SUPERELEVATION UNLESS NEW SUPERELEVATION RATES ARE GIVEN ON THE PLANS.

ALL ELEVATIONS REFERRING TO U.S.G.S. MEAN SEA LEVEL DATUM.

THE FOLLOWING RATES OF APPLICATION HAVE BEEN USED IN CALCULATING PLAN QUANTITIES:

GRANULAR MATERIALS	2.05	TONS / CU YD
HMA RESURFACING	112	LBS / SQ YD / IN
SHORT TERM PAVEMENT MARKING	10	FT /100 FT OF APPLICATION
MIX FOR CRACKS, JTS & FLGWYS	0.0003	TONS / SQ YD
BINDER (HAND METHOD)	0.0005	TONS / SQ YD
SUPPLEMENTAL WATERING	3	GAL / SQ YD / APPLICATION
CALCIUM CHLORIDE	2	LB / SQ YD / APPLICATION
AGGREGATE DITCH CHECKS	5	TONS AGGREGATE

THE CONTRACTOR SHALL CONTACT JULIE AT LEAST 48 HOURS PRIOR TO EXCAVATION TO DETERMINE WHICH UTILITIES ARE IN THE AREA.

ALL DAMAGE TO DEPARTMENT OWNED UNDERGROUND FACILITIES, CAUSED BY THE CONTRACTOR SHALL BE REPAIRED TO THE SATISFACTION OF THE ENGINEER AND AT NO EXPENSE TO THE DEPARTMENT. THIS SHALL INCLUDE ALL TEMPORARY REPAIRS REQUIRED TO KEEP THE FACILITY OPERATIONAL WHILE MATERIAL IS BEING OBTAINED TO MAKE PERMANENT REPAIRS. SPLICING OF ELECTRIC CABLE WILL NOT BE ALLOWED. ELECTRIC CABLE SHALL BE REPLACED FROM POLE TO POLE OR CONTROLLER.

LOCATIONS:	ENTIRE PROJECT	ENTIRE PROJECT	ENTIRE PROJECT
MIXTURE USE(S):	HMA BINDER	HMA SURFACE	HMA INCIDENTAL
BINDER GRADE (PG):	PG 64-22	PG 64-22	PG 64-22
DESIGN AIR VOIDS:	4.0% @ N50	4.0% @ N50	4.0% @ N50
MIXTURE COMPOSITION: (MIXTURE GRADATION)	IL 19.0	IL 9.5	IL 9.5
FRICITION AGGREGATE:		MIXTURE C	
MIXTURE WEIGHT:	112.0 LB/SY/IN	112.0 LB/SY/IN	112.0 LB/SY/IN
QUALITY MANAGEMENT PROGRAM:	QCP	QCP	QCQA
SUBLOT SIZE:	1000 TONS	1000 TONS	NA
DENSITY TEST METHOD:	CORES	CORES	SATISFACTION OF ENGINEER
MATERIAL TRANSFER DEVICE (REQUIRED)	YES	YES	NO

STATE OF ILLINOIS
DEPARTMENT OF TRANSPORTATION
DISTRICT THREE
AS BUILT INFORMATION

SUPERVISING CONSTRUCTION FIELD ENGINEER

RESIDENT ENGINEER / TECHNICIAN

START & END DATES
OF CONSTRUCTION:

INSPECTORS:

STATE OF ILLINOIS
DEPARTMENT OF TRANSPORTATION
DISTRICT THREE

PREPARED BY: _____
DISTRICT STUDIES & PLANS ENGINEER

DATE: _____

EXAMINED BY: _____
DISTRICT CONSTRUCTION ENGINEER

DISTRICT MATERIALS ENGINEER

DISTRICT OPERATIONS ENGINEER

MODEL: Default
FILE NAME: p:\project-new\benefit.com\FW\DOT\Documents\DOT Office\District 3\Project\0366678\CADD\data\0366678-shc-cover.dgn

USER NAME = carpenterd	DESIGNED - _____	REVISED - _____
	DRAWN - _____	REVISED - _____
PLOT SCALE = 100,0000' / in.	CHECKED - _____	REVISED - _____
PLOT DATE = 3/24/2022	DATE - _____	REVISED - _____

**STATE OF ILLINOIS
DEPARTMENT OF TRANSPORTATION**

GENERAL NOTES

SCALE: _____ SHEET ___ OF ___ SHEETS STA. _____ TO STA. _____

F.A.S RTE.	SECTION	COUNTY	TOTAL SHEETS	SHEET NO.
317	(36.37)RS-4,SW	IROQUOIS	26	2
			CONTRACT NO. 66K78	
		ILLINOIS	FED. AID PROJECT	

CODE NO.	ITEM	UNIT	TOTAL QUANTITY	CONSTR. CODE	
				80% FEDERAL	20% STATE
				ROADWAY	
				0005	
				RURAL	
20800150	TRENCH BACKFILL	CU YD	20		20
21400100	GRADING AND SHAPING DITCHES	FOOT	750		750
25000210	SEEDING, CLASS 2A	ACRE	0.1		0.1
25000400	NITROGEN FERTILIZER NUTRIENT	POUND	9.3		9.3
25000500	PHOSPHORUS FERTILIZER NUTRIENT	POUND	9.3		9.3
25000600	POTASSIUM FERTILIZER NUTRIENT	POUND	9.3		9.3
25100630	EROSION CONTROL BLANKET	SQ YD	1000		1000
35101600	AGGREGATE BASE COURSE, TY B 4"	SQ YD	125		125
40200800	AGGREGATE SURFACE COURSE, TYPE B	TON	39		39
40600290	BITUMINOUS MATERIALS (TACK COAT)	POUND	6011		6011
40600370	LONGITUDINAL JOINT SEALANT	FOOT	21517		21517
40600400	MIXTURE FOR CRACKS, JOINTS, AND FLANGWAYS	TON	17		17
40600990	TEMPORARY RAMP	SQ YD	640		640
40603080	HOT-MIX ASPHALT BINDER COURSE, IL-19.0, N50	TON	7329		7329
40604050	HOT-MIX ASPHALT SURFACE COURSE, IL-9.5, MIX "C", N50	TON	4886		4886

MODEL: Default
 FILE NAME: p:\ultra-pw-bead-fy.com\PIV\DOT\Documents\DOT Office\Dir\dir: 3\Project\1036678\CADD\data\1036678-shc-SOC.dgn

USER NAME = pletschr	DESIGNED - _____	REVISED - _____
	DRAWN - _____	REVISED - _____
PLOT SCALE = 100,0000' / in.	CHECKED - _____	REVISED - _____
PLOT DATE = 3/24/2022	DATE - _____	REVISED - _____

**STATE OF ILLINOIS
DEPARTMENT OF TRANSPORTATION**

SUMMARY OF QUANTITIES

SCALE: _____ SHEET ____ OF ____ SHEETS STA. _____ TO STA. _____

F.A.S RTE.	SECTION	COUNTY	TOTAL SHEETS	SHEET NO.
317	(36.37)RS-4,SW	IROQUOIS	26	3
			CONTRACT NO. 66K78	
		ILLINOIS	FED. AID PROJECT	

CODE NO.	ITEM	UNIT	TOTAL QUANTITY	CONSTR. CODE	
				80% FEDERAL 20% STATE	ROADWAY
				0005	RURAL
40800050	INCIDENTAL HOT-MIX ASPHALT SURFACING	TON	543	543	
42400100	PORTLAND CEMENT CONCRETE SIDEWALK 4 INCH	SQ FT	1129	1129	
* 42400800	DETECTABLE WARNINGS	SQ FT	120	120	
44000100	PAVEMENT REMOVAL	SQ YD	30	30	
44000164	HOT-MIX ASPHALT SURFACE REMOVAL, 3 3/4"	SQ YD	58168	58168	
44000600	SIDEWALK REMOVAL	SQ FT	951	951	
44201855	CLASS D PATCHES, TYPE III, 17 INCH	SQ YD	30	30	
48101200	AGGREGATE SHOULDERS, TYPE B	TON	2042	2042	
542A5473	PIPE CULVERTS, CLASS A, TYPE 1 EQUIVALENT ROUND-SIZE 18"	FOOT	40	40	
54214503	PRECAST REINFORCED CONCRETE FLARED END SECTIONS, EQUIVALENT ROUND-SIZE 18"	EACH	2	2	
54262836	METAL FLARED END SECTIONS, EQUIVALENT ROUND-SIZE 36"	EACH	1	1	
60905305	BOX CULVERTS TO BE CLEANED	FOOT	270	270	
63500105	DELINEATORS	EACH	8	8	
* 66700205	PERMANENT SURVEY MARKERS, TYPE I	EACH	3	3	

*= SPECIALTY ITEM

MODEL: Default
FILE NAME: p:\ultra-pw-bead-pw.com\FW\DOT\Documents\DOT Office\Dir\dir: 3\Project\1036678\CADD\data\1036678-shc-SOC.dgn

USER NAME = pletschr	DESIGNED - _____	REVISED - _____
	DRAWN - _____	REVISED - _____
PLOT SCALE = 100,0000' / in.	CHECKED - _____	REVISED - _____
PLOT DATE = 3/24/2022	DATE - _____	REVISED - _____

**STATE OF ILLINOIS
DEPARTMENT OF TRANSPORTATION**

SUMMARY OF QUANTITIES

SCALE: _____ SHEET ____ OF ____ SHEETS STA. _____ TO STA. _____

F.A.S RTE.	SECTION	COUNTY	TOTAL SHEETS	SHEET NO.
317	(36.37)RS-4,5W	IROQUOIS	26	4
CONTRACT NO. 66K78			ILLINOIS FED. AID PROJECT	

CODE NO.	ITEM	UNIT	TOTAL QUANTITY	CONSTR. CODE	
				80% FEDERAL 20% STATE ROADWAY 0005	RURAL
* 66900200	NON-SPECIAL WASTE DISPOSAL	CU YD	5	5	
* 66900530	SOIL DISPOSAL ANALYSIS	EACH	1	1	
* 66901001	REGULATED SUBSTANCES PRE-CONSTRUCTION PLAN	L SUM	1	1	
* 66901003	REGULATED SUBSTANCES FINAL CONSTRUCTION REPORT	L SUM	1	1	
* 66901006	REGULATED SUBSTANCES MONITORING	CAL DA	1	1	
67000400	ENGINEER'S FIELD OFFICE, TYPE A	CAL MO	3	3	
67100100	MOBILIZATION	L SUM	1	1	
70100450	TRAFFIC CONTROL AND PROTECTION, STANDARD 701201	L SUM	1	1	
70100460	TRAFFIC CONTROL AND PROTECTION, STANDARD 701306	L SUM	1	1	
70300100	SHORT TERM PAVEMENT MARKING	FOOT	6474	6474	
70300150	SHORT TERM PAVEMENT MARKING REMOVAL	SQ FT	719	719	
* 78000100	THERMOPLASTIC PAVEMENT MARKING - LETTERS AND SYMBOLS	SQ FT	122	122	
* 78000200	THERMOPLASTIC PAVEMENT MARKING - LINE 4"	FOOT	6248	6248	
* 78000400	THERMOPLASTIC PAVEMENT MARKING - LINE 6"	FOOT	1872	1872	

*= SPECIALTY ITEM

MODEL: Default
 FILE NAME: p:\project\paw\benefit.com\PI\DOT\Documents\DOT_Offices\Dir\dir_3\Project\0366678\CD\0366678-shc-SOC.dgn

USER NAME = pletschr	DESIGNED - _____	REVISED - _____	STATE OF ILLINOIS DEPARTMENT OF TRANSPORTATION	SUMMARY OF QUANTITIES		F.A.S RTE.	SECTION	COUNTY	TOTAL SHEETS	SHEET NO.
PLOT SCALE = 100,0000' / in.	CHECKED - _____	REVISED - _____				317	(36.37)RS-4,5W	IROQUOIS	26	5
PLOT DATE = 3/24/2022	DATE - _____	REVISED - _____		SCALE: _____ SHEET ____ OF ____ SHEETS STA. _____ TO STA. _____		ILLINOIS FED. AID PROJECT		CONTRACT NO. 66K78		

CODE NO.	ITEM	UNIT	TOTAL QUANTITY	CONSTR. CODE	
				80% FEDERAL	20% STATE
				ROADWAY	RURAL
				0005	
* 78000500	THERMOPLASTIC PAVEMENT MARKING - LINE 8"	FOOT	146		146
* 78000600	THERMOPLASTIC PAVEMENT MARKING - LINE 12"	FOOT	102		102
* 78000650	THERMOPLASTIC PAVEMENT MARKING - LINE 24"	FOOT	269		269
* 78008210	POLYUREA PAVEMENT MARKING TYPE I - LINE 4"	FOOT	78652		78652
* 78008230	POLYUREA PAVEMENT MARKING TYPE I - LINE 6"	FOOT	8900		8900
* 78011000	GROOVING FOR RECESSED PAVEMENT MARKING, LETTERS AND SYMBOLS	SQ FT	122		122
* 78011025	GROOVING FOR RECESSED PAVEMENT MARKING 5"	FOOT	6248		6248
* 78011035	GROOVING FOR RECESSED PAVEMENT MARKING 7"	FOOT	1728		1728
* 78011125	GROOVING FOR RECESSED PAVEMENT MARKING 25"	FOOT	118		118
* 78100100	RAISED REFLECTIVE PAVEMENT MARKER	EACH	269		269
* 78200020	CURB REFLECTORS	EACH	11		11
78300200	RAISED REFLECTIVE PAVEMENT MARKER REMOVAL	EACH	269		269
X0322936	REMOVE EXISTING FLARED END SECTION	EACH	3		3
X0327809	LINEAR DELINEATOR PANELS, 4 INCH	EACH	14		14

*= SPECIALTY ITEM

MODEL: Default
 FILE NAME: p:\project\paw\benefy.com\PIV\DOT\Documents\DOT\offices\Dir\refr_3\Project\0366678\CADD\data\0366678-shc-SOC.dgn

USER NAME = pletschr	DESIGNED - _____	REVISED - _____
PLOT SCALE = 100,0000' / in.	DRAWN - _____	REVISED - _____
PLOT DATE = 3/24/2022	CHECKED - _____	REVISED - _____
	DATE - _____	REVISED - _____

**STATE OF ILLINOIS
DEPARTMENT OF TRANSPORTATION**

SUMMARY OF QUANTITIES

SCALE: _____ SHEET ____ OF ____ SHEETS STA. _____ TO STA. _____

F.A.S RTE.	SECTION	COUNTY	TOTAL SHEETS	SHEET NO.
317	(36.37)RS-4,5W	IROQUOIS	26	6
			CONTRACT NO. 66K78	
			ILLINOIS FED. AID PROJECT	

CODE NO.	ITEM	UNIT	TOTAL QUANTITY	CONSTR. CODE
				80% FEDERAL 20% STATE ROADWAY 0005 RURAL
X1200050	BOX CULVERT REMOVAL	FOOT	40	40
X4401198	HOT-MIX ASPHALT SURFACE REMOVAL, VARIABLE DEPTH	SQ YD	3661	3661
X5619210	WATER VALVES TO BE ADJUSTED, SPECIAL	EACH	3	3
Z0030850	TEMPORARY INFORMATION SIGNING	SQ FT	42	42
Z0034105	MATERIAL TRANSFER DEVICE	TON	12215	12215
Z0048665	RAILROAD PROTECTIVE LIABILITY INSURANCE	L SUM	1	1

MODEL: Default
 FILE NAME: p:\ultra-cw-bead\p\p\DOT Documents\DOT Office\Dir\dir: 3\Project\1366678\CADD\data\1366678-shc-SOC.dgn

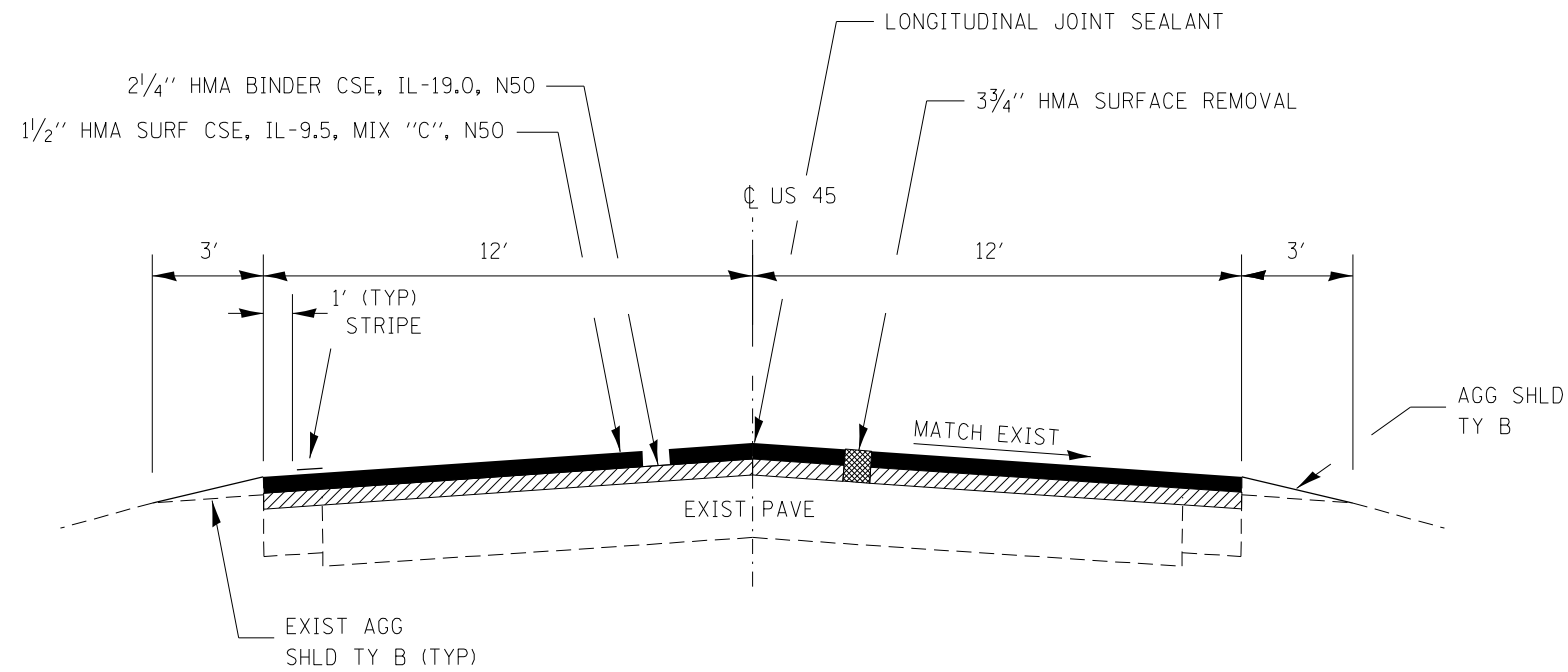
USER NAME = pletschr	DESIGNED - _____	REVISED - _____
	DRAWN - _____	REVISED - _____
PLOT SCALE = 100,0000' / in.	CHECKED - _____	REVISED - _____
PLOT DATE = 3/24/2022	DATE - _____	REVISED - _____

**STATE OF ILLINOIS
DEPARTMENT OF TRANSPORTATION**

SUMMARY OF QUANTITIES

SCALE: _____ SHEET ___ OF ___ SHEETS STA. _____ TO STA. _____

F.A.S RTE.	SECTION	COUNTY	TOTAL SHEETS	SHEET NO.
317	(36.37)RS-4,SW	IROQUOIS	26	7
			CONTRACT NO. 66K78	
			ILLINOIS FED. AID PROJECT	



PROPOSED TYPICAL SECTION

STA 1080+27 TO STA 1173+06
 STA 1173+06 TO STA 1173+54 BRIDGE OMISSION (SN 038-0225)
 STA 1173+54 TO STA 1294+96
 STA 1294+96 TO STA 1295+05 RAILROAD OMISSION
 STA 1295+05 TO STA 1296+06

MODEL: Default
 FILE NAME: p:\project\paw_bentley.com\P\I\DOT\Documents\DOT_offices\Dir\dir_3\Project\10366678\CADD\data\10366678-sheet\typical.dgn

USER NAME = carpenterd	DESIGNED - _____	REVISED - _____
	DRAWN - _____	REVISED - _____
PLOT SCALE = 100,0000' / in.	CHECKED - _____	REVISED - _____
PLOT DATE = 3/24/2022	DATE - _____	REVISED - _____

**STATE OF ILLINOIS
 DEPARTMENT OF TRANSPORTATION**

TYPICAL SECTION

SCALE: _____ SHEET ____ OF ____ SHEETS STA. _____ TO STA. _____

F.A.S RTE.	SECTION	COUNTY	TOTAL SHEETS	SHEET NO.
317	(36.37)RS-4,SW	IROQUOIS	26	8
CONTRACT NO. 66K78			ILLINOIS FED. AID PROJECT	

DITCH CLEANING SCHEDULE									
LOCATION	LENGTH	FLOW DIRECTION	GRADING & SHAPING DITCHES	SEEDING CL 2A	NITRO FERT NUT	PHOSP FERT NUT	POT FERT NUT	EROSION CONTROL BLANKET	GRADING & SHAPING DITCHES
STA - STA	FOOT	NB/SB	FOOT	ACRE	LB	LB	LB	SQ YD	FOOT
1131+00 - 1132+50	150	NB	150	0.02	1.86	1.86	1.86	200	150
1213+50 - 1215+50	200	NB	200	0.03	2.48	2.48	2.48	267	200
1215+80 - 1217+00	120	NB	120	0.02	1.49	1.49	1.49	160	120
1229+20 - 1231+00	180	NB	180	0.02	2.23	2.23	2.23	240	180
1288+00 - 1289+00	100	NB	100	0.01	1.24	1.24	1.24	133	100
TOTALS			750	0.10	9.30	9.30	9.30	1000	750

PAVEMENT MARKING SCHEDULE							
LOCATION		LENGTH	SHORT-TERM PAVEMENT MARK (3 APPS)	SHORT-TERM PAVEMENT MARK REM (1 APP)	RAISED REFLECTIVE PVMT MARK	RAISED REFLECTIVE PVMT MARK	
STA	TO	STA	FOOT	SQ FT	EACH	REM EACH	
1080+27	TO	1093+99	1372.0	412	46	17	
1093+99	TO	1102+81	882.0	265	29	11	
1102+81	TO	1111+51	870.0	261	29	11	
1111+51	TO	1289+40	17789.0	5337	593	222	
1289+40	TO	1296+06	666.0	200	22	8	
PROJECT TOTAL			6474	719	269	269	

ENTRANCES SCHEDULE									
STATION	TYPE	SIDE	MATERIAL	WIDTH FRONT	WIDTH BACK	VARIABLE DEPTH SURF REM	INCIDENTAL HMA SURF MIX "C" N50	BIT MATL (TACK COAT)	AGG SURF CSE TY B
						SQ YD	TON	POUND	TON
1083+80	PE	LT	HMA	24	12	20.0	3.0	9.0	
1085+27	PE	LT	HMA	38	20	32.2	4.8	14.5	
1089+50	PE	LT	HMA	18	11	16.1	2.4	7.3	
1089+82	PE	LT	HMA	18	11	16.1	2.4	7.3	
1090+77	PE	LT	HMA	34	20	30.0	4.5	13.5	
1092+33	PE	LT	HMA	30	16	25.6	3.8	11.5	
1095+85	PE	LT	HMA	26	10	20.0	3.0	9.0	
1096+87	PE	LT	HMA	30	14	24.4	3.6	11.0	
1098+23	CE	LT	HMA	55	36	50.6	7.5	22.8	
1099+82	PE	LT	HMA	22	16	21.1	3.1	9.5	
1101+22	PE	LT	HMA	22	12	18.9	2.8	8.5	
1102+36	PE	LT	HMA	20	12	17.8	2.6	8.0	
1103+66	CE	LT	HMA	54	44	54.4	8.1	24.5	
1104+43	PE	LT	HMA	26	16	23.3	3.5	10.5	
1105+28	PE	LT	HMA	22	16	21.1	3.1	9.5	
1109+96	PE	LT	HMA	24	16	22.2	3.3	10.0	
1112+03	CE	LT	HMA	74	30	57.8	8.6	26.0	
1117+52	PE	LT	HMA	42	16	32.2	4.8	14.5	
1118+38	FE	LT	AGG	19	16				5.8
1119+23	PE	RT	HMA	18	14	17.8	2.6	8.0	
1122+81	PE/MB	RT	HMA	62	32	52.2	7.7	23.5	
1123+96	PE	LT	HMA	36	14	27.8	4.1	12.5	
1142+77	PE/MB	RT	HMA	62	46	60.0	8.9	27.0	
1156+76	PE	LT	HMA	32	14	25.6	3.8	11.5	
1162+43	FE	LT	AGG	19	16				5.8
1162+43	FE	RT	AGG	19	16				5.8
1175+70	FE	LT	AGG	18	14				4.8
1178+85	PE/MB	LT	HMA	74	42	64.4	9.6	29.0	
1181+71	CE	LT	HMA	42	20	34.4	5.1	15.5	
1207+37	FE	LT	AGG	20	16				6.1
1239+36	PE	LT	HMA	48	15	35.0	5.2	15.8	
1282+53	PE/MB	LT	HMA	76	26	56.7	8.4	25.5	
1285+28	CE	LT	AGG	26	22	26.7	4.0	12.0	10.9
1289+80	CE	RT	HMA	32	28	33.3	4.9	15.0	
1290+49	CE	RT	HMA	55	35	50.0	7.4	22.5	
1290+70	CE/MB	LT	HMA	66	20	47.8	7.1	21.5	
1291+70	CE	LT	HMA	88	74	90.0	13.4	40.5	
1292+16	CE	LT	HMA	62	46	60.0	8.9	27.0	
1293+33	CE	RT	HMA	42	32	41.1	6.1	18.5	
1294+01	CE	LT	HMA	64	40	57.8	8.6	26.0	
1294+01	CE	RT	HMA	54	45	55.0	8.2	24.8	
TOTALS						1339.4	198.8	602.8	39.0

ADJUSTMENT SCHEDULE	
LOCATION	WATER VALVE TO BE ADJ
	EACH
(US 45)	
LOCUST ST TO WASHINGTON ST	2
WASHINGTON ST TO JOHN ST	1
TOTALS	3

* RESIDENT TO VERIFY LOCATIONS ON SITE

MODEL: Default
 FILE: \\nafile.pva\ulidect-pw-beadefy.com\PIV\DOT\Documents\DOT Office\Drawings\3\Project\10366678\CADD\DATA\10366678-10366678-10366678.dgn

USER NAME = pletschr	DESIGNED - _____	REVISED - _____
	DRAWN - _____	REVISED - _____
PLOT SCALE = 100,0000' / in.	CHECKED - _____	REVISED - _____
PLOT DATE = 3/24/2022	DATE - _____	REVISED - _____

**STATE OF ILLINOIS
DEPARTMENT OF TRANSPORTATION**

SCHEDULES

SCALE: _____ SHEET ____ OF ____ SHEETS STA. _____ TO STA. _____

F.A.S RTE.	SECTION	COUNTY	TOTAL SHEETS	SHEET NO.
317	(36.37)RS-4,5W	IROQUOIS	26	10
CONTRACT NO. 66K78				
ILLINOIS FED. AID PROJECT				

SIDEROADS SCHEDULE								
STATION	NAME	SIDE	WIDTH FRONT	WIDTH BACK	VARIABLE DEPTH SURF REM	INCIDENTAL HMA SURF MIX "C" N50	BIT MATL (TACK COAT)	TEMP RAMP
					SQ YD	TON	POUND	SQ YD
1081+49	NORTH ST 2200N	LT	88	28	193.3	28.7	87.0	15.6
1081+49	NORTH ST 2200N	RT	68	22	150.0	22.3	67.5	12.2
1087+16	LOCUST ST	LT	60	28	146.7	21.8	66.0	15.6
1093+99	WASHINGTON ST	LT	48	14	103.3	15.3	46.5	7.8
1102+49	JEFFERSON ST	RT	105	40	241.7	35.9	108.8	22.2
1102+81	JOHN ST	LT	52	26	130.0	19.3	58.5	14.4
1108+80	SHORT ST	LT	26	12	63.3	9.4	28.5	6.7
1135+66	COUNTY RD 2100 N	LT	58	20	130.0	19.3	58.5	11.1
1135+66	COUNTY RD 2100 N	RT	56	20	126.7	18.8	57.0	11.1
1189+10	E 2000 NORTH RD	LT	56	16	120.0	17.8	54.0	8.9
1189+10	E 2000 NORTH RD	RT	56	20	126.7	18.8	57.0	11.1
1242+38	COUNTY RD 1900 N	LT	66	22	146.7	21.8	66.0	12.2
1242+38	COUNTY RD 1900 N	RT	82	25	178.3	26.5	80.3	13.9
1269+05	COUNTY RD 1850 N	LT	72	20	153.3	22.8	69.0	11.1
1281+88	E 3RD ST	RT	72	24	160.0	23.7	72.0	13.3
1289+40	E 2ND ST	RT	66	25	151.7	22.5	68.3	13.9
TOTALS					2321.7	344.5	1044.8	201.1

SIDEWALK SCHEDULE FOR NEW RAMP INSTALLATION										
LOCATION SIDE STREET	QUAD	SIDEWALK REMOVAL	PCC SIDEWALK 4"	AGG BASE TY B, 4"	EARTH EX *	SODDING *	NITROGEN FERTILIZER NUTRIENT *	PHOSPHORUS FERTILIZER NUTRIENT *	POTASSIUM FERTILIZER NUTRIENT *	DETECTABLE WARNINGS
		SQ FT	SQ FT	SQ YD	CU YD	SQ YD	POUNDS	POUNDS	POUNDS	SQ FT
NORTH ST	SE	173.6	187.9	20.9	0.2					8
LOCUST ST	NE	53.5	54.2	6.0	0.1					8
LOCUST ST	SE	65.6	66.4	7.4	0.1	1	0.01	0.01	0.01	8
WASHINGTON ST	NE	47.4	47.4	5.3						8
WASHINGTON ST	SW	52.8	64	7.1	0.2					8
WASHINGTON ST	SE	131.5	156.3	17.4	0.4	3	0.04	0.04	0.04	16
JOHN ST	NE	54.7	98	10.9	19.9	3	0.04	0.04	0.04	16
JOHN ST	SE	53	53	5.9						8
JEFFERSON ST	SW	37.3	65.1	7.2	0.4					8
SHORT ST	NE	42.1	63.5	7.1	0.3					8
SHORT ST	SE	60.1	65.8	7.3	0.1	2	0.02	0.02	0.02	8
CONRAD TRUCKING	EAST	56	71.7	8.0	0.2					8
CONRAD TRUCKING	WEST	123.7	136.1	15.1	0.2					8
TOTAL		951	1129	125	22.1	9.0	0.1	0.1	0.1	120

* THESE ITEMS SHALL BE INCLUDED IN THE COST OF THE SIDEWALK PAY ITEMS, AS OUTLINED IN THE SPECIAL PROVISIONS UNDER "PREPARATION AND RESTORATION OF SIDEWALK WORK AREAS".

MODEL: Default
 FILE: \\blmfc-pw-beadley.com\P\W\DOT\Documents\DOT Office\Dir\Dir: 3\Project\1036678\CADD\DATA\1036678-Sub-schedule.dgn

USER NAME = pletschr	DESIGNED - _____	REVISED - _____
	DRAWN - _____	REVISED - _____
PLOT SCALE = 100,0000' / in.	CHECKED - _____	REVISED - _____
PLOT DATE = 4/4/2022	DATE - _____	REVISED - _____

**STATE OF ILLINOIS
DEPARTMENT OF TRANSPORTATION**

SCHEDULES SCALE: _____ SHEET ____ OF ____ SHEETS STA. _____ TO STA. _____		F.A.S. RTE.	SECTION	COUNTY	TOTAL SHEETS	SHEET NO.
		317	(36.37)RS-4,SW	IROQUOIS	26	11

CONTRACT NO. 66K78	
ILLINOIS	FED. AID PROJECT

CULVERT SCHEDULE												
LOCATION		EXIST LENGTH	PIPE CUL CL A TY 1 EQRS 18"	PRECAST FLARED END SEC 18"	METAL FLARED END SEC 36"	BOX CUL TO BE CLEANED	BOX CULVERT REMOVAL	REMOVE EXIST FLARED END SEC	PAVEMENT REMOVAL	CLASS D PATCHES TY III 17"	TRENCH BACKFILL	LINEAR DELINEATOR PANELS, 4"
STA	SN	FOOT	FOOT	EACH	EACH	FOOT	FOOT	EACH	SQ YD	SQ YD	CU YD	EACH
1120+17	038-2017					105						4
1173+20	038-0225											4
1250+85	038-2015					125						6
* 1228+00	CULVERT #152				1	40		1				
1264+00	CULVERT #151	39.5	40	2			39.5	2	30	30	20	
TOTALS		39.5	40	2	1	270	39.5	3	30	30	20	14

*NOTE: THIS IS A 3X2 BOX CULVERT WHICH HAS BEEN EXTENDED WITH 36" ARCH CMP

MONUMENT NUMBER	DESCRIPTION	APPROXIMATE LOCATION	EXISTING MONUMENT TYPE	PROPOSED MONUMENT TYPE	MONUMENT RECORD TO BE RECORDED	RESPONSIBILITY
A045655	APPARENT NW CORNER OF SW QTR OF NW QTR SECTION 20, T27N, R14W, 2ND PM	1/4 MI S OF 2100 N RD INTERSECTION	MAG NAIL	MAG NAIL	NO	2
045654	APPARENT NE CORNER OF SECTION 30, T27N, R14W, 2ND PM	2000 N RD INTERSECTION	MAG NAIL	MAG NAIL	NO	2
045652	NW CORNER OF SECTION 32, T27N, R14W, 2ND PM	1900 N RD INTERSECTION	BRASS PLAQUE	TYPE 1	YES	1
045651	W QTR CORNER OF SECTION 32, T27N, R14W, 2ND PM	1850 N RD INTERSECTION	BRASS PLAQUE	TYPE 1	YES	1
045650	SW CORNER OF SECTION 32, T27N, R14W, 2ND PM	50'+/- SOUTH OF T, P & W RR TRACKS	MISSING	TYPE 1	YES	1

ONLY THE ORIGINAL SCOPE OF THIS JOB HAS BEEN SEARCHED FOR MONUMENTS. R.E. MUST INFORM PLATS AND PLANS TO SEARCH FOR ADDITIONAL MONUMENTS PRIOR TO MILLING IF ADDENDUMS HAVE BEEN ADDED TO THIS JOB.

R.E. WILL INFORM PLATS AND PLANS WHEN SURFACE IS TO BE MILLED, FOR THE PURPOSE OF LOCATING MISSING MONUMENTS.

UNKNOWN MONUMENTS MAY EXIST. IF AN UNLISTED MONUMENT IS FOUND, R.E. IS REQUIRED TO PROTECT THE MONUMENT FROM DAMAGE UNTIL A PLATS AND PLANS LAND SURVEYOR CAN DOCUMENT THE MONUMENT. PLATS AND PLANS WILL RESET SUCH MONUMENTS IN KIND FOLLOWING CONSTRUCTION.

UPON PAVING COMPLETION, R.E. WILL DIRECT PLATS AND PLANS TO STAKE THE TYPE 1 PSM CORING LOCATIONS.

NOTE: FOR BIDDING PURPOSES NO CONTRACTED LAND SURVEYING SERVICES WILL BE REQUIRED. PLATS AND PLANS WILL PREPARE THE REQUIRED MONUMENT RECORDS.

RESPONSIBILITY:

- 1) RESIDENT TO RE-ESTABLISH MONUMENT (PAY ITEM REQUIRED. PERMANENT SURVEY MARKER, TYPE 1)
- 2) PLATS AND PLANS TO RE-ESTABLISH MONUMENT

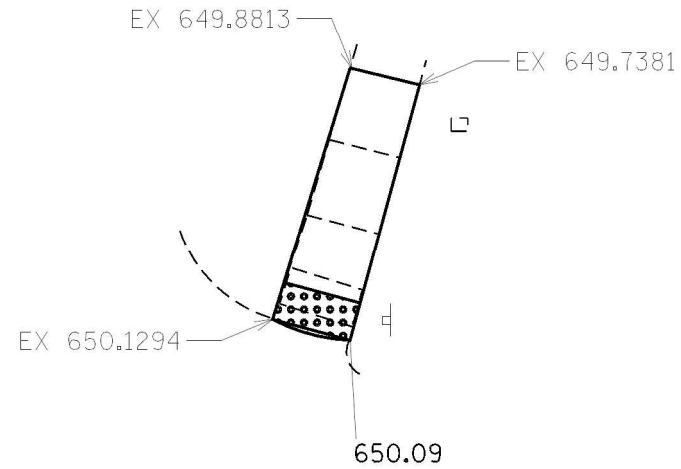
MODEL: Default
 FILE: \\blmfe-pw-backend.com\P\INDOT\Documents\DOT Office\Director: 3\Project\0366678\CADD\DATA\0366678-shc-schedule.dgn

USER NAME = pletschr	DESIGNED - _____	REVISED - _____
	DRAWN - _____	REVISED - _____
PLOT SCALE = 100,0000' / in.	CHECKED - _____	REVISED - _____
PLOT DATE = 3/24/2022	DATE - _____	REVISED - _____

**STATE OF ILLINOIS
DEPARTMENT OF TRANSPORTATION**

SCHEDULES	
SCALE: _____	SHEET ____ OF ____ SHEETS STA. _____ TO STA. _____

F.A.S RTE.	SECTION	COUNTY	TOTAL SHEETS	SHEET NO.
317	(36.37)RS-4,5W	IROQUOIS	26	12
			CONTRACT NO. 66K78	
		ILLINOIS FED. AID PROJECT		

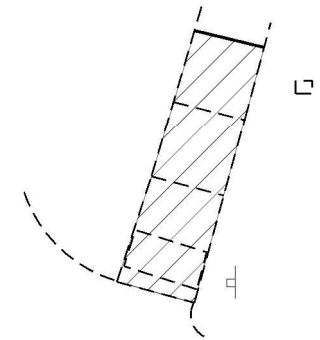


SIDEWALK 4" = 54.2 SQFT + 66.4 SQFT

DETECTABLE WARNING = 8 SQFT+ 8 SQFT

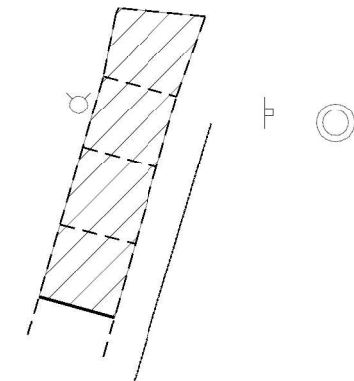
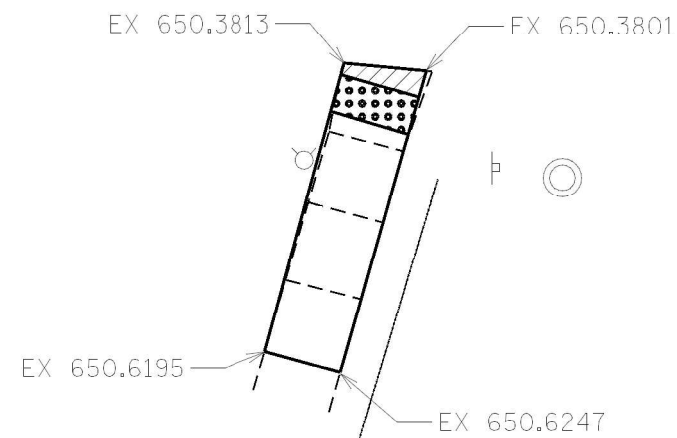
NOTES:

1. SEE HIGHWAY STANDARDS 424001 - 424031 FOR MAX SLOPES AND ADDITIONAL REQUIREMENTS.
2. SEE HIGHWAY STANDARD 606001 FOR CURB AND GUTTER REQUIREMENTS NEXT TO ADA RAMP.
3. ALL CROSS-SLOPES IN THE DIRECTION OF TRAVEL ARE AN ABSOLUTE MAXIMUM OF 2% LAYOUT SHOULD BE AT 1.5% TO ALLOW FOR ERROR WHILE REMAINING WITH THE MAXIMUM SLOPE.
4. SIDEWALK CURBS ARE SHOW ONLY AS REQUIRED BY FIELD CONDITIONS AND MAY BE OMITTED IF FOUND TO BE UNNECESSARY.
5. SIDEWALK CURBS ARE INCLUDED IN THE COST OF SIDEWALK.



- LEVEL SURFACE
- DETECTABLE WARNING
- SOD/LANDSCAPING
- CC&G REMOVAL
- SIDEWALK REMOVAL

SIDEWALK REMOVAL = 53.5 SQFT + 65.6 SQFT



**LOCUST ST
NE,SE**



MODEL: Default
 FILE: \\miller-prod\idm-cms\berkeley.com\PROJECTS\Documents\DOT\Office\Drawings_3\Project\130366478\CD\Drawings\ADA_Details.dwg

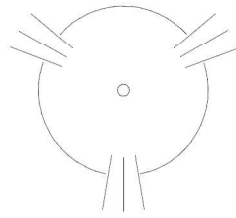
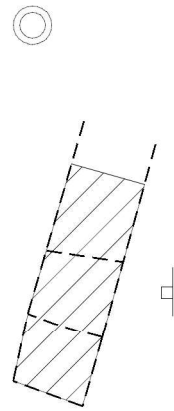
USER NAME = carpenterdj	DESIGNED - _____	REVISED - _____
DRAWN - _____	REVISIONS - _____	REVISIONS - _____
PLOT SCALE = 10.0000' / 1"	CHECKED - _____	REVISIONS - _____
PLOT DATE = 3/24/2022	DATE - _____	REVISIONS - _____

**STATE OF ILLINOIS
DEPARTMENT OF TRANSPORTATION**

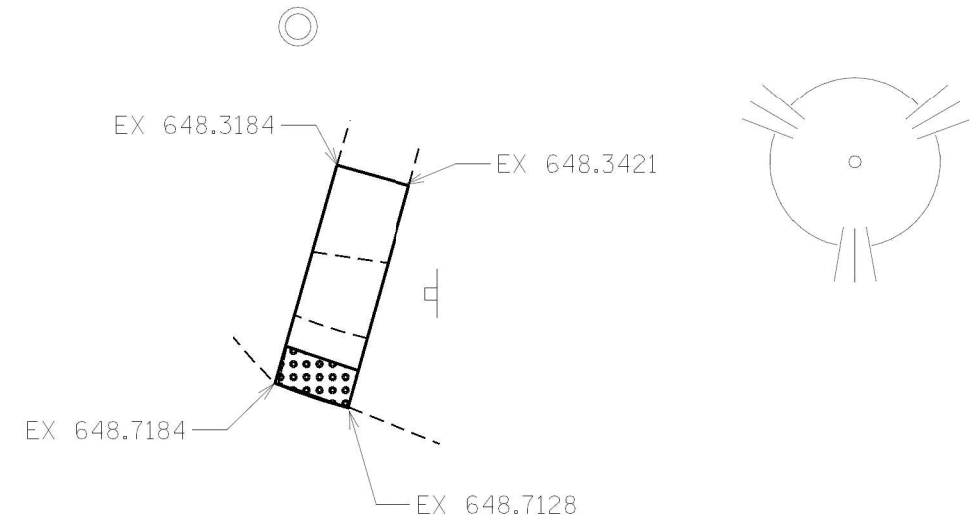
ADA DETAILS

SCALE: _____ SHEET _____ OF _____ SHEETS STA. _____ TO STA. _____

F.A.S RTE.	SECTION	COUNTY	TOTAL SHEETS	SHEET NO.
317	(36,37)RS-4,SW	IROQUOIS	26	14
			CONTRACT NO. 66K78	
ILLINOIS FED. AID PROJECT				



SIDEWALK REMOVAL = 47.4 SQFT








SIDEWALK 4" = 47.4 SQFT

DETECTABLE WARNING = 8 SQFT

NOTES:

1. SEE HIGHWAY STANDARDS 424001 - 424031 FOR MAX SLOPES AND ADDITIONAL REQUIREMENTS.
2. SEE HIGHWAY STANDARD 606001 FOR CURB AND GUTTER REQUIREMENTS NEXT TO ADA RAMPS.
3. ALL CROSS-SLOPES IN THE DIRECTION OF TRAVEL ARE AN ABSOLUTE MAXIMUM OF 2% LAYOUT SHOULD BE AT 1.5% TO ALLOW FOR ERROR WHILE REMAINING WITH THE MAXIMUM SLOPE.
4. SIDEWALK CURBS ARE SHOW ONLY AS REQUIRED BY FIELD CONDITIONS AND MAY BE OMITTED IF FOUND TO BE UNNECESSARY.
5. SIDEWALK CURBS ARE INCLUDED IN THE COST OF SIDEWALK.

-  LEVEL SURFACE
-  DETECTABLE WARNING
-  SOD/LANDSCAPING
-  CC&G REMOVAL
-  SIDEWALK REMOVAL

WASHINGTON ST NE



M:\REL - Default - P:\MIDOT\Documents\DOT Office\Drawings\3\Project\13036678\ICDD\13036678\ADA_Details.dwg

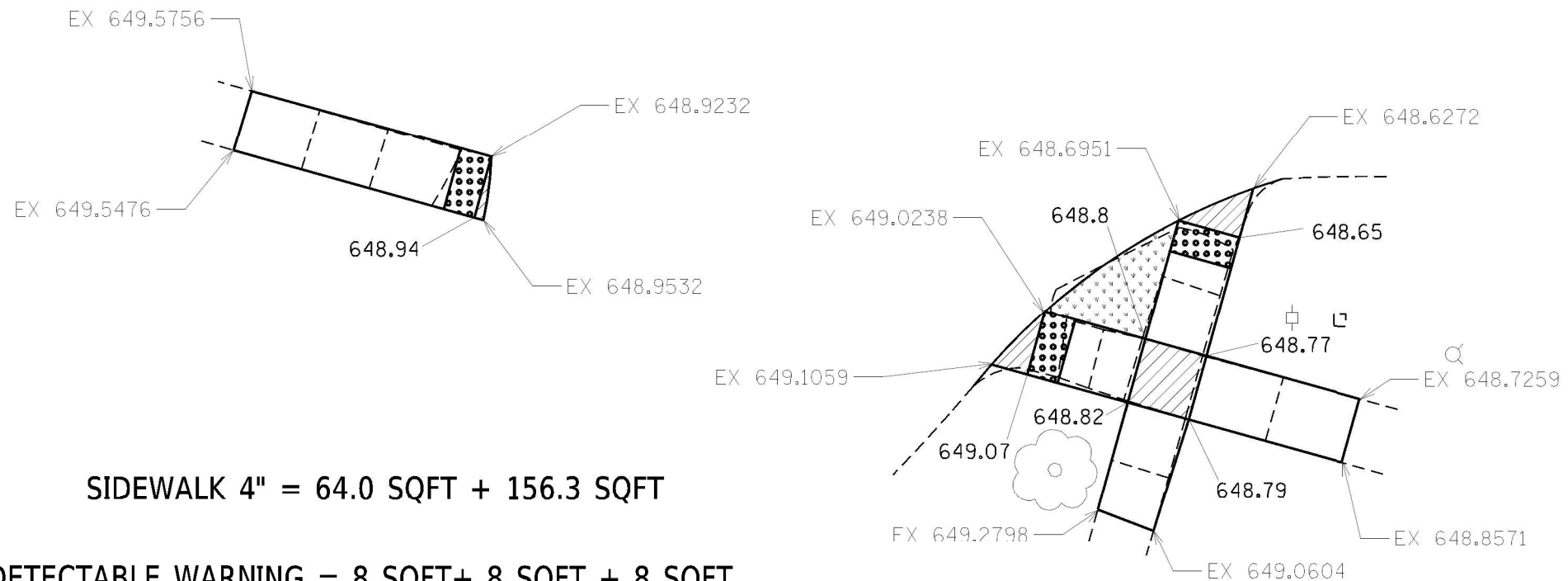
USER NAME = carpenterd	DESIGNED - _____	REVISED - _____
DRAWN - _____	REVISIONS - _____	REVISIONS - _____
PLOT SCALE = 10.0000' / 1"	CHECKED - _____	REVISIONS - _____
PLOT DATE = 3/24/2022	DATE - _____	REVISIONS - _____

**STATE OF ILLINOIS
DEPARTMENT OF TRANSPORTATION**

ADA DETAILS

SCALE: _____ SHEET _____ OF _____ SHEETS STA. _____ TO STA. _____

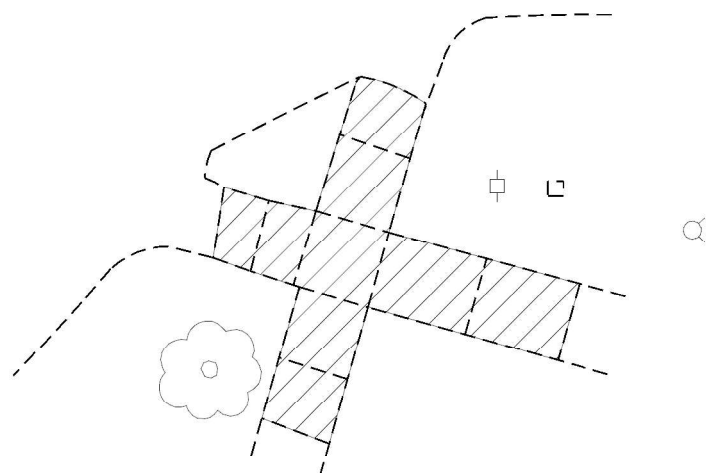
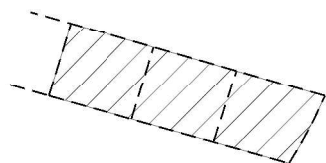
F.A.S RTE.	SECTION	COUNTY	TOTAL SHEETS	SHEET NO.
317	(36.37)RS-4,SW	IROQUOIS	26	15
			CONTRACT NO. 66K78	
ILLINOIS FED. AID PROJECT				



SIDEWALK 4" = 64.0 SQFT + 156.3 SQFT

DETECTABLE WARNING = 8 SQFT+ 8 SQFT + 8 SQFT

SIDEWALK REMOVAL = 52.8 SQFT + 131.5 SQFT



NOTES:

1. SEE HIGHWAY STANDARDS 424001 - 424031 FOR MAX SLOPES AND ADDITIONAL REQUIREMENTS.
2. SEE HIGHWAY STANDARD 606001 FOR CURB AND GUTTER REQUIREMENTS NEXT TO ADA RAMP.
3. ALL CROSS-SLOPES IN THE DIRECTION OF TRAVEL ARE AN ABSOLUTE MAXIMUM OF 2% LAYOUT SHOULD BE AT 1.5% TO ALLOW FOR ERROR WHILE REMAINING WITH THE MAXIMUM SLOPE.
4. SIDEWALK CURBS ARE SHOW ONLY AS REQUIRED BY FIELD CONDITIONS AND MAY BE OMITTED IF FOUND TO BE UNNECESSARY.
5. SIDEWALK CURBS ARE INCLUDED IN THE COST OF SIDEWALK.

- LEVEL SURFACE**
- DETECTABLE WARNING**
- SOD/LANDSCAPING**
- CC&G REMOVAL**
- SIDEWALK REMOVAL**



**WASHINGTON ST
SW,SE**

MODEL: Default
 FILE: Model - 300110101.dwg
 PLOT DATE: 3/24/2022
 PLOT SCALE: 10.0000' / 1"

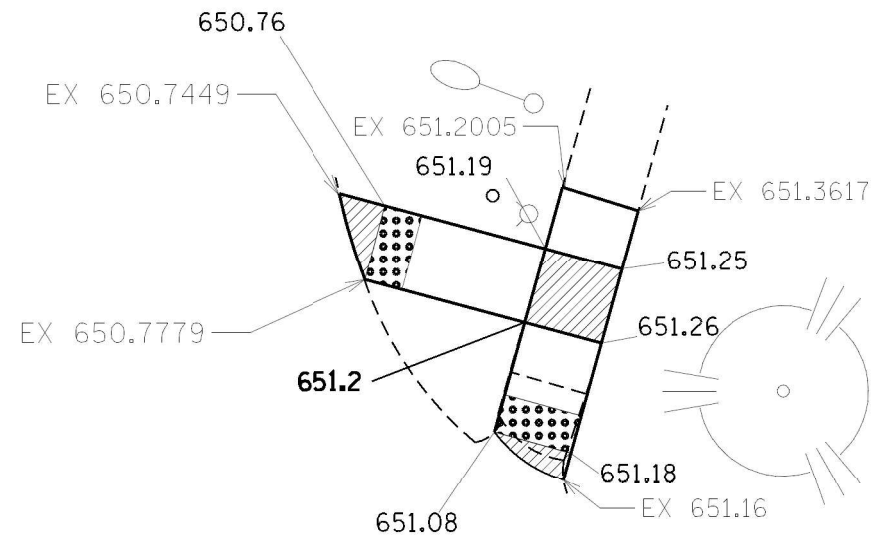
USER NAME = carpenterd	DESIGNED - _____	REVISED - _____
DRAWN - _____	REVISIONS - _____	REVISIONS - _____
CHECKED - _____	REVISIONS - _____	REVISIONS - _____
DATE - _____	REVISIONS - _____	REVISIONS - _____

**STATE OF ILLINOIS
DEPARTMENT OF TRANSPORTATION**

ADA DETAILS

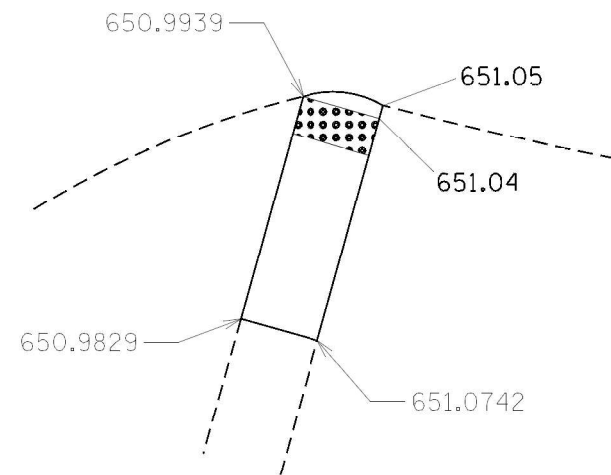
SCALE: _____ SHEET _____ OF _____ SHEETS STA. _____ TO STA. _____

F.A.S RTE.	SECTION	COUNTY	TOTAL SHEETS	SHEET NO.
317	(36,37)RS-4,SW	IROQUOIS	26	16
ILLINOIS FED. AID PROJECT			CONTRACT NO. 66K78	



SIDEWALK 4" = 98.1 SQFT + 53.0 SQFT

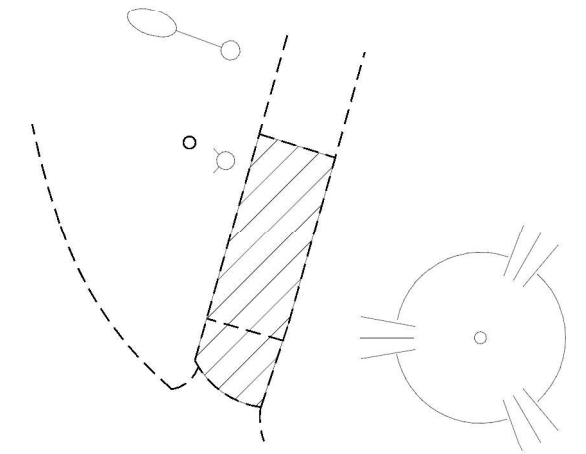
DETECTABLE WARNING = 8 SQFT + 8 SQFT + 8 SQFT



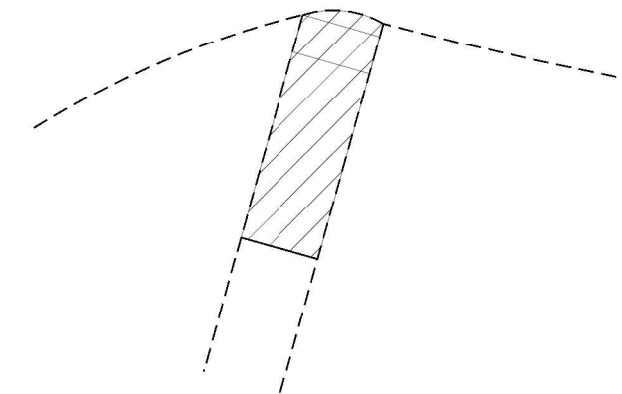
NOTES:

1. SEE HIGHWAY STANDARDS 424001 - 424031 FOR MAX SLOPES AND ADDITIONAL REQUIREMENTS.
2. SEE HIGHWAY STANDARD 606001 FOR CURB AND GUTTER REQUIREMENTS NEXT TO ADA RAMP.
3. ALL CROSS-SLOPES IN THE DIRECTION OF TRAVEL ARE AN ABSOLUTE MAXIMUM OF 2% LAYOUT SHOULD BE AT 1.5% TO ALLOW FOR ERROR WHILE REMAINING WITH THE MAXIMUM SLOPE.
4. SIDEWALK CURBS ARE SHOW ONLY AS REQUIRED BY FIELD CONDITIONS AND MAY BE OMITTED IF FOUND TO BE UNNECESSARY.
5. SIDEWALK CURBS ARE INCLUDED IN THE COST OF SIDEWALK.

- LEVEL SURFACE**
- DETECTABLE WARNING**
- SOD/LANDSCAPING**
- CC&G REMOVAL**
- SIDEWALK REMOVAL**



SIDEWALK REMOVAL = 54.7 SQFT + 53.0 SQFT



**JOHN ST
NE,SE**



MODEL: Default
 FILE: Model - 300110101.dwg
 PLOT DATE: 3/24/2022
 PROJECT: 317
 SHEET: 17
 CONTRACT: 66K78

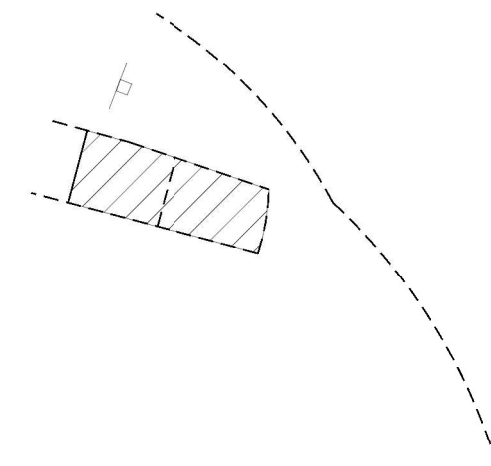
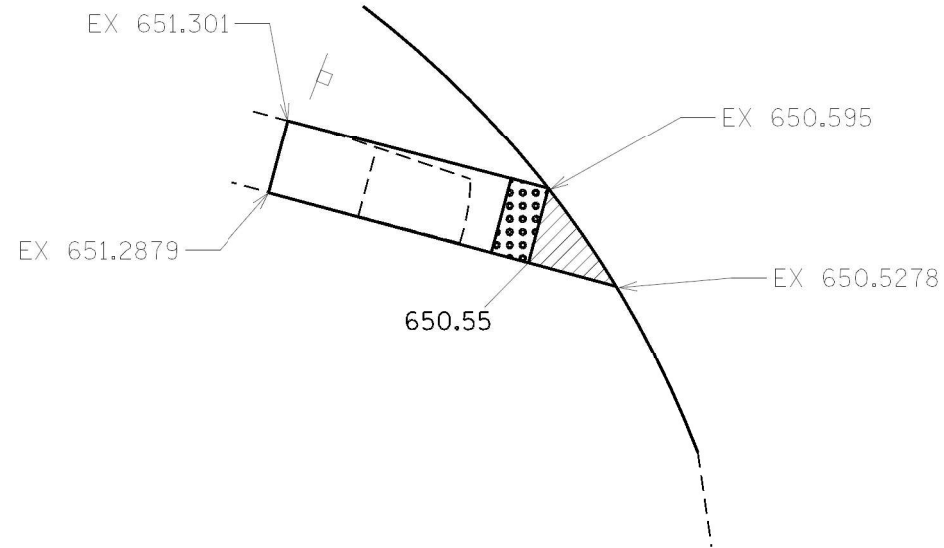
USER NAME = carpenterd	DESIGNED - _____	REVISED - _____
DRAWN - _____	REVISED - _____	
PLOT SCALE = 10.0000' / 1"	CHECKED - _____	REVISED - _____
PLOT DATE = 3/24/2022	DATE - _____	REVISED - _____

**STATE OF ILLINOIS
DEPARTMENT OF TRANSPORTATION**

ADA DETAILS

SCALE: _____ SHEET _____ OF _____ SHEETS STA. _____ TO STA. _____

F.A.S RTE.	SECTION	COUNTY	TOTAL SHEETS	SHEET NO.
317	(36,37)RS-4,SW	IROQUOIS	26	17
			CONTRACT NO. 66K78	
ILLINOIS FED. AID PROJECT				




- NOTES:
1. SEE HIGHWAY STANDARDS 424001 - 424031 FOR MAX SLOPES AND ADDITIONAL REQUIREMENTS.
 2. SEE HIGHWAY STANDARD 606001 FOR CURB AND GUTTER REQUIREMENTS NEXT TO ADA RAMPS.
 3. ALL CROSS-SLOPES IN THE DIRECTION OF TRAVEL ARE AN ABSOLUTE MAXIMUM OF 2% LAYOUT SHOULD BE AT 1.5% TO ALLOW FOR ERROR WHILE REMAINING WITH THE MAXIMUM SLOPE.
 4. SIDEWALK CURBS ARE SHOW ONLY AS REQUIRED BY FIELD CONDITIONS AND MAY BE OMITTED IF FOUND TO BE UNNECESSARY.
 5. SIDEWALK CURBS ARE INCLUDED IN THE COST OF SIDEWALK.

SIDEWALK 4" = 65.1 SQFT

DETECTABLE WARNING = 8 SQFT

SIDEWALK REMOVAL = 37.3 SQFT

-  LEVEL SURFACE
-  DETECTABLE WARNING
-  SOD/LANDSCAPING
-  CC&G REMOVAL
-  SIDEWALK REMOVAL

JEFFERSON ST SW



Model: Default
 File: \\miller-prod\idm\paw.bentley.com\PROJECTS\Documents\DOT_Offices\Director_3\Project\10366478\CADD\DATA\ADA_Details.dgn

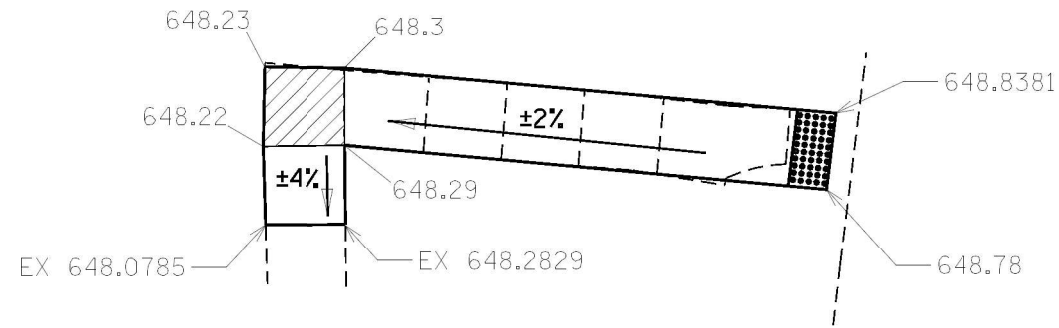
USER NAME = carpenterdj	DESIGNED - _____	REVISED - _____
DRAWN - _____	REVISIONS - _____	REVISIONS - _____
PLOT SCALE = 10.0000' / 1"	CHECKED - _____	REVISIONS - _____
PLOT DATE = 3/24/2022	DATE - _____	REVISIONS - _____

**STATE OF ILLINOIS
DEPARTMENT OF TRANSPORTATION**

ADA DETAILS

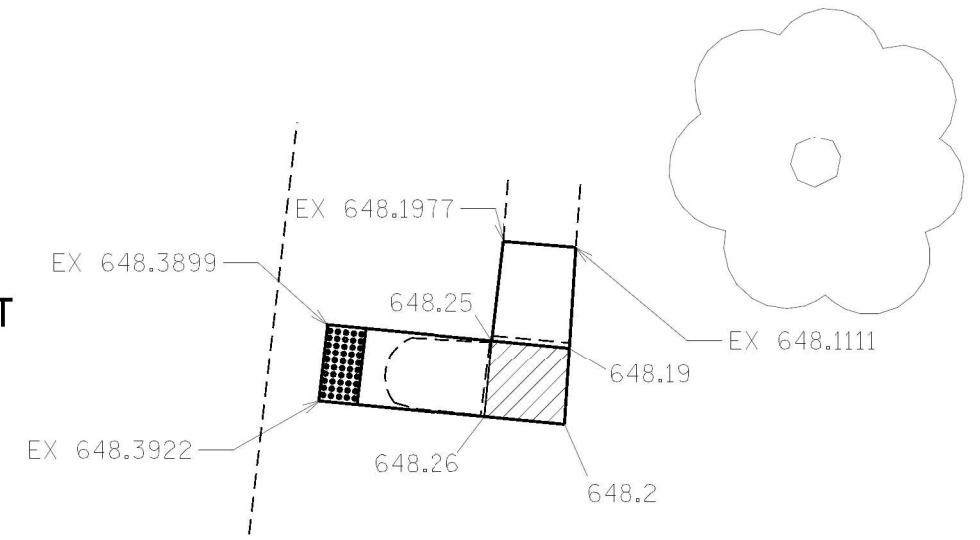
SCALE: _____ SHEET _____ OF _____ SHEETS STA. _____ TO STA. _____

F.A.S RTE.	SECTION	COUNTY	TOTAL SHEETS	SHEET NO.
317	(36,37)RS-4,SW	IROQUOIS	26	18
CONTRACT NO. 66K78				
ILLINOIS FED. AID PROJECT				



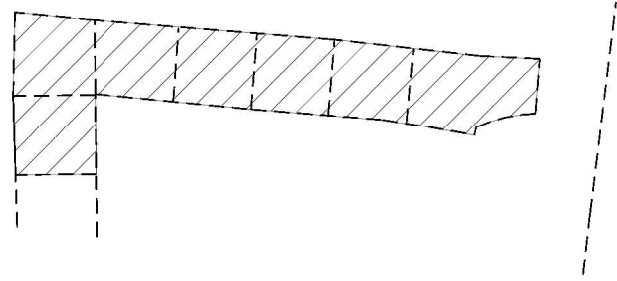
SIDEWALK 4" = 136.1 SQFT + 71.7 SQFT

DETECTABLE WARNING = 8 SQFT+ 8 SQFT

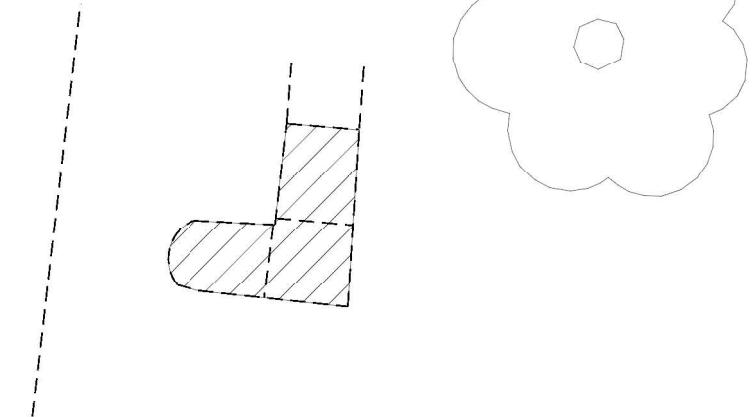


NOTES:

1. SEE HIGHWAY STANDARDS 424001 - 424031 FOR MAX SLOPES AND ADDITIONAL REQUIREMENTS.
2. SEE HIGHWAY STANDARD 606001 FOR CURB AND GUTTER REQUIREMENTS NEXT TO ADA RAMP.
3. ALL CROSS-SLOPES IN THE DIRECTION OF TRAVEL ARE AN ABSOLUTE MAXIMUM OF 2% LAYOUT SHOULD BE AT 1.5% TO ALLOW FOR ERROR WHILE REMAINING WITH THE MAXIMUM SLOPE.
4. SIDEWALK CURBS ARE SHOW ONLY AS REQUIRED BY FIELD CONDITIONS AND MAY BE OMITTED IF FOUND TO BE UNNECESSARY.
5. SIDEWALK CURBS ARE INCLUDED IN THE COST OF SIDEWALK.



- LEVEL SURFACE**
- DETECTABLE WARNING**
- SOD/LANDSCAPING**
- CC&G REMOVAL**
- SIDEWALK REMOVAL**



SIDEWALK REMOVAL = 123.7 SQFT + 56.0 SQFT

CONRAD TRUCKING



Model: Default
 File: \\miller-prod\p1\dot\paw\berkeley.com\PROJECTS\Documents\DOT Office\ADA\Detail\3\Project\3\366478\CONRAD\ADA_Detail.dwg

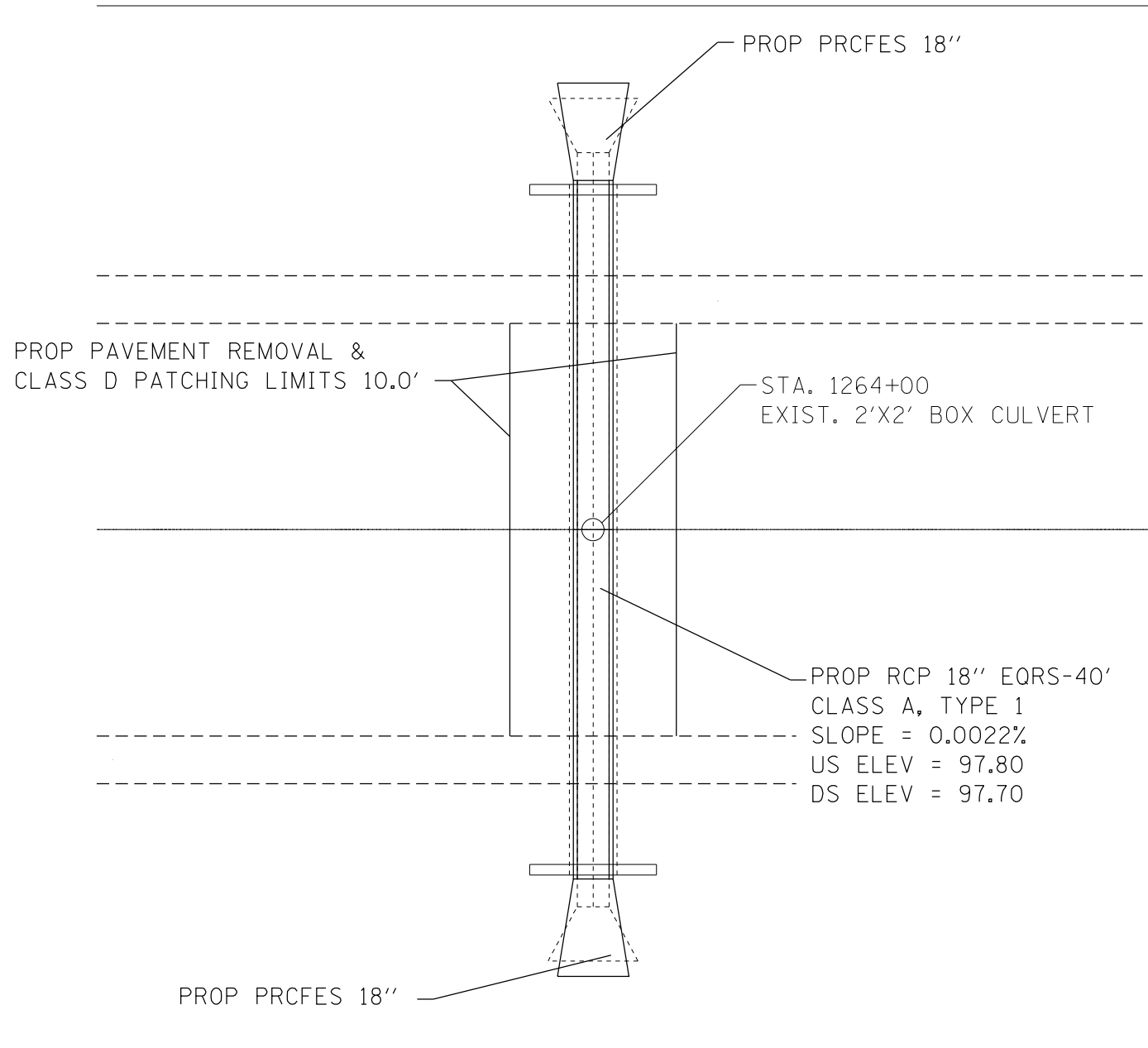
USER NAME = carpenterd	DESIGNED - _____	REVISED - _____
DRAWN - _____	REVISED - _____	
PLOT SCALE = 10.0000' / 1"	CHECKED - _____	REVISED - _____
PLOT DATE = 3/24/2022	DATE - _____	REVISED - _____

**STATE OF ILLINOIS
DEPARTMENT OF TRANSPORTATION**

ADA DETAILS

SCALE: _____ SHEET _____ OF _____ SHEETS STA. _____ TO STA. _____

F.A.S. RTE.	SECTION	COUNTY	TOTAL SHEETS	SHEET NO.
317	(36.37)RS-4,SW	IROQUOIS	26	20
			CONTRACT NO. 66K78	
			ILLINOIS FED. AID PROJECT	



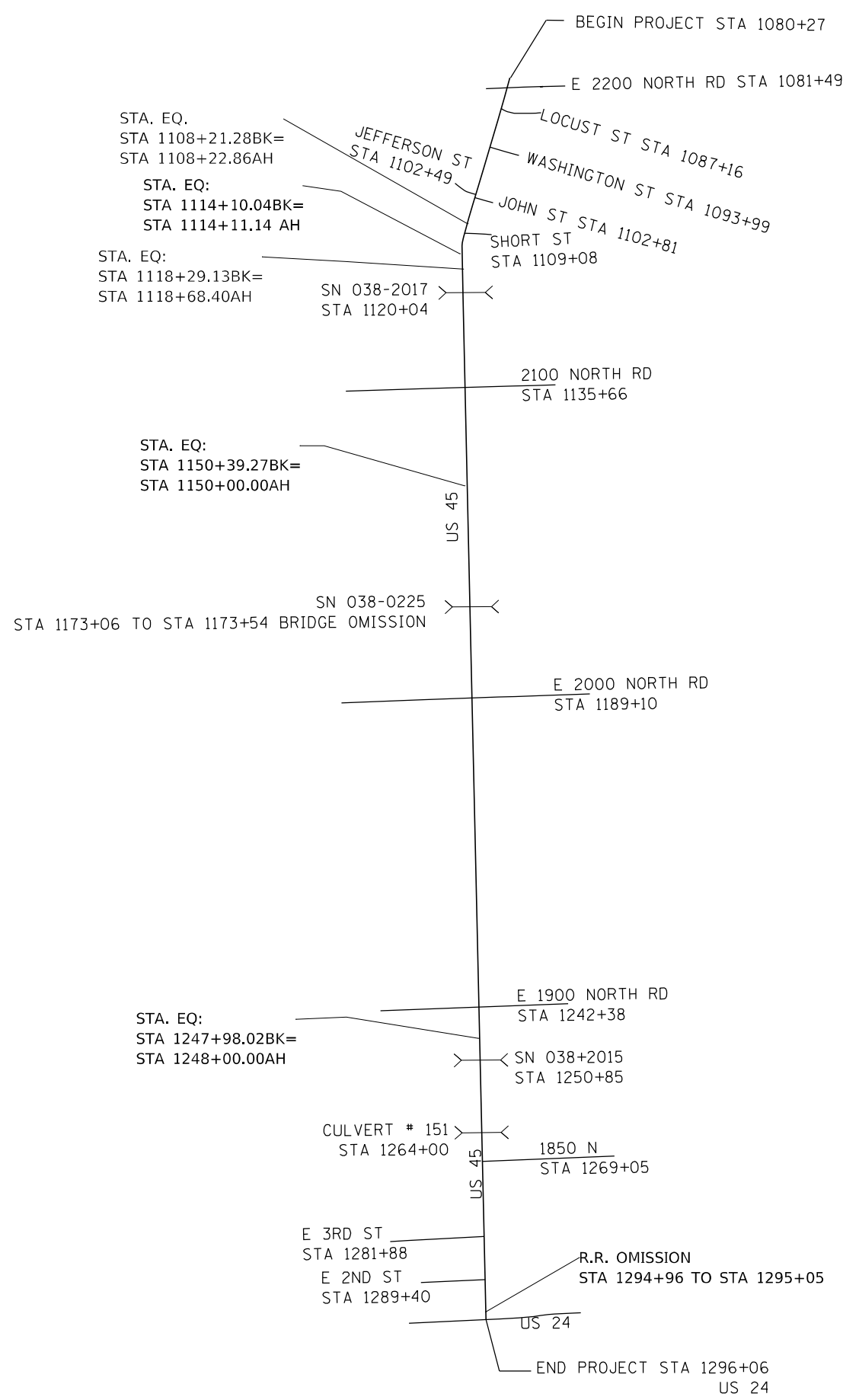
TOTAL BILL OF MATERIAL

ITEM	UNIT	TOTAL
Box Culvert Removal	Foot	39.5
Precast Reinforced Concrete Flared End Sections 18"	Each	2
Pipe Culverts, Class A, Type 1 EQRS 18"	Foot	40
Pavement Removal	Sq Yd	30
*Class D Patches, Type III, 17 inch	Sq Yd	30
Trench Backfill	Cu Yd	20

*Assumed 2 Patches

NOTES:

1. REMOVAL OF EXISTING HEADWALLS INCLUDED IN THE COST FOR BOX CULVERT REMOVAL
2. REGRADE DITCHES AS NECESSARY TO ACCOMODATE NEW INVERTS
3. SEE SPECIAL PROVISION RESTORATION OF WORK AREA FOR RESTORING AREA DISTURB BY THIS WORK.



STA. EQ.
STA 1108+21.28BK=
STA 1108+22.86AH

STA. EQ:
STA 1114+10.04BK=
STA 1114+11.14 AH

STA. EQ:
STA 1118+29.13BK=
STA 1118+68.40AH

STA. EQ:
STA 1150+39.27BK=
STA 1150+00.00AH

STA 1173+06 TO STA 1173+54 BRIDGE OMISSION

STA. EQ:
STA 1247+98.02BK=
STA 1248+00.00AH

CULVERT # 151
STA 1264+00

E 3RD ST
STA 1281+88
E 2ND ST
STA 1289+40

MODEL: Default
 FILE: \\mupc-pw-bentley.com\PW\DOT\Documents\DOT Office\Dir\dir: 3\Project\10366678\CADD\data\10366678-shc-draw\11.dgn

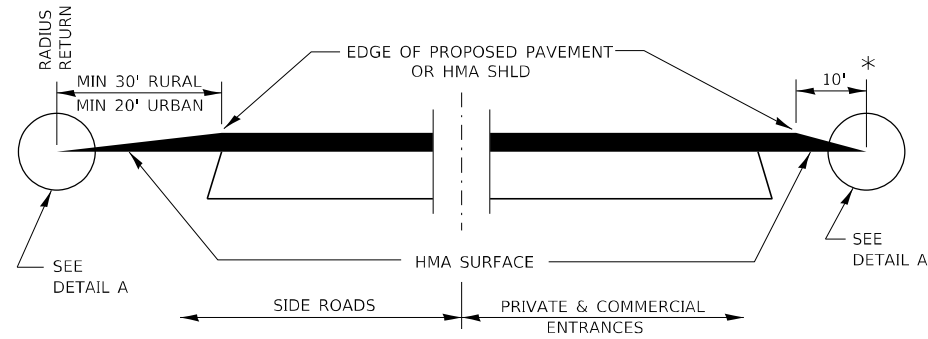
USER NAME = carpenterd	DESIGNED - _____	REVISED - _____
	DRAWN - _____	REVISED - _____
PLOT SCALE = 100,0000' / in.	CHECKED - _____	REVISED - _____
PLOT DATE = 3/24/2022	DATE - _____	REVISED - _____

**STATE OF ILLINOIS
DEPARTMENT OF TRANSPORTATION**

LOCATION MAP

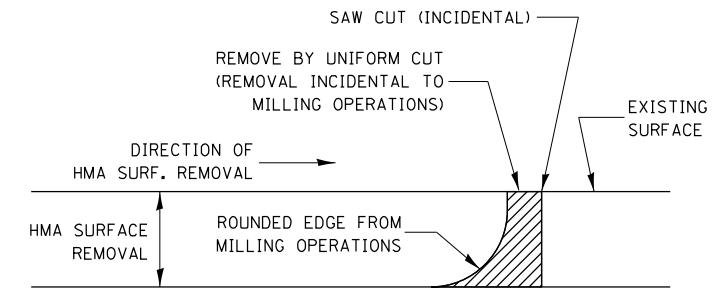
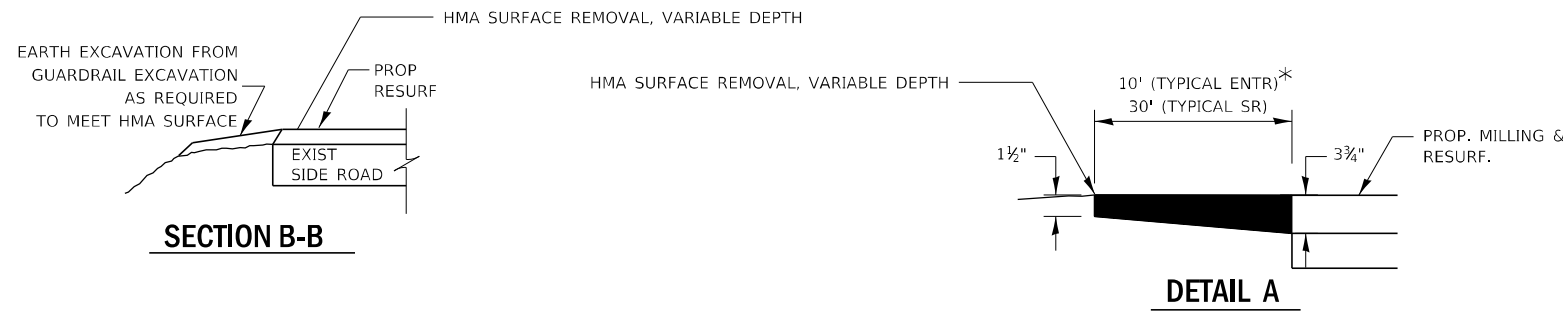
SCALE: _____ SHEET ____ OF ____ SHEETS STA. _____ TO STA. _____

F.A.S RTE. 317	SECTION (36.37)RS-4,SW	COUNTY IROQUOIS	TOTAL SHEETS 26	SHEET NO. 22
CONTRACT NO. 66K78			ILLINOIS FED. AID PROJECT	



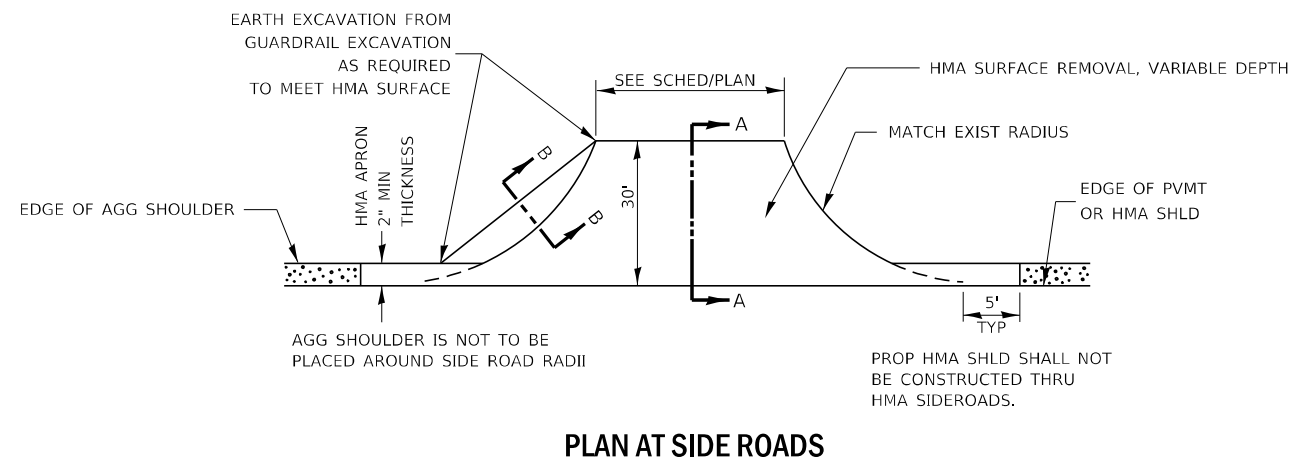
SECTION A-A

DETAILS AT ENTRANCES & SIDE ROADS

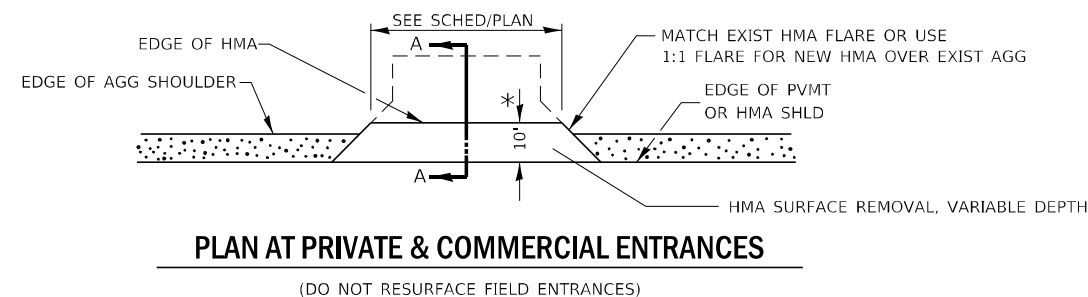


NOTE:
WHEN MILLING OPERATIONS PRODUCE A ROUNDED EDGE, THEN A SAW CUT SHALL BE USED TO MANUFACTURE A PERPENDICULAR EDGE AS SHOWN IN THE DETAIL. THE ENGINEER SHALL BE THE SOLE JUDGE CONCERNING THE USE OF THIS DETAIL.

HMA DETAIL AT BUTT JOINTS



PLAN AT SIDE ROADS



PLAN AT PRIVATE & COMMERCIAL ENTRANCES

(DO NOT RESURFACE FIELD ENTRANCES)

* PROPOSED HMA RESURFACING AT PUBLIC EDUCATIONAL FACILITY ENTRANCES SHALL BE EXTENDED TO THE RIGHT-OF-WAY LIMITS.

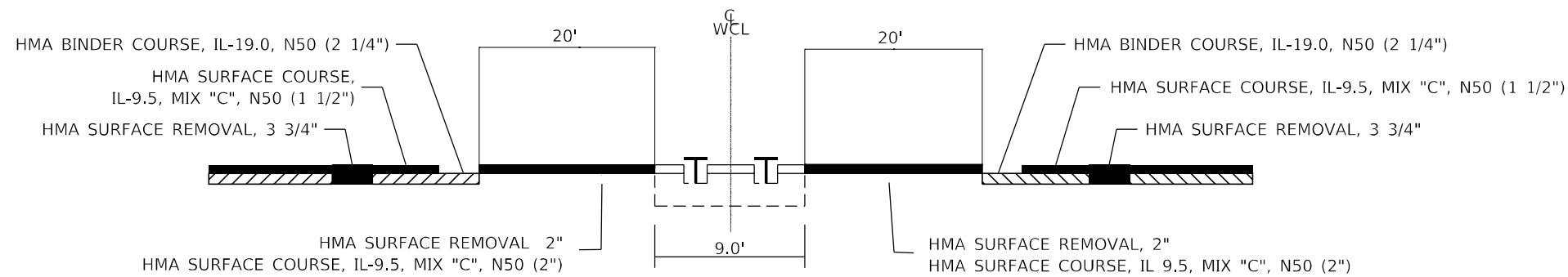
MODEL: Default
FILE: \\nafe-pw-bentley.com\PW\DOT\Documents\DOT Office\Dir\dr: 3\Project\10366678\CADD\data\10366678-shc-cen-1116.dgn

USER NAME = carpenterdj	DESIGNED - _____	REVISED - _____
	DRAWN - _____	REVISED - _____
PLOT SCALE = 100,0000' / in.	CHECKED - _____	REVISED - _____
PLOT DATE = 3/24/2022	DATE - _____	REVISED - _____

**STATE OF ILLINOIS
DEPARTMENT OF TRANSPORTATION**

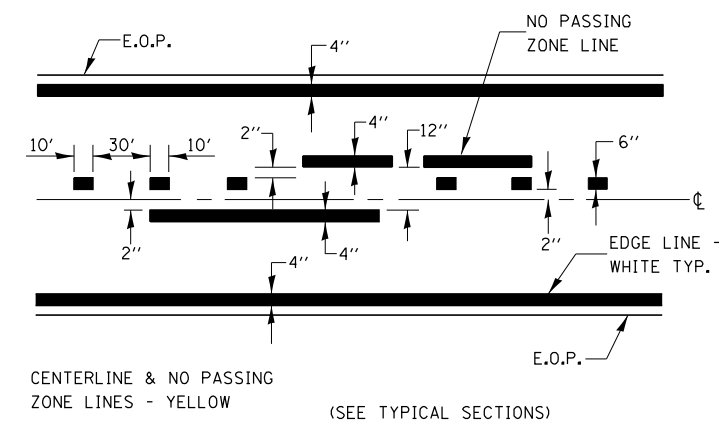
SCALE: _____ SHEET ____ OF ____ SHEETS STA. _____ TO STA. _____

F.A.S RTE.	SECTION	COUNTY	TOTAL SHEETS	SHEET NO.
317	(36.37)RS-4,5W	IROQUOIS	26	24
CONTRACT NO. 66K78			ILLINOIS FED. AID PROJECT	

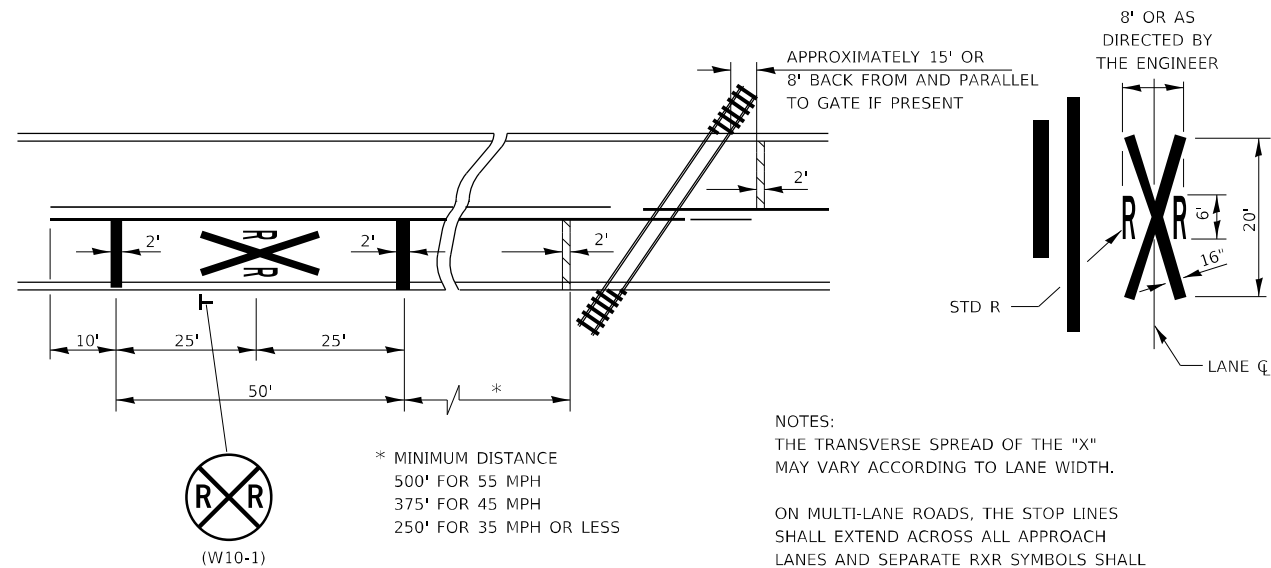


HMA SURFACE REMOVAL AT W.C.L. RAILROAD GRADE CROSSING

DRAWING NOT TO SCALE

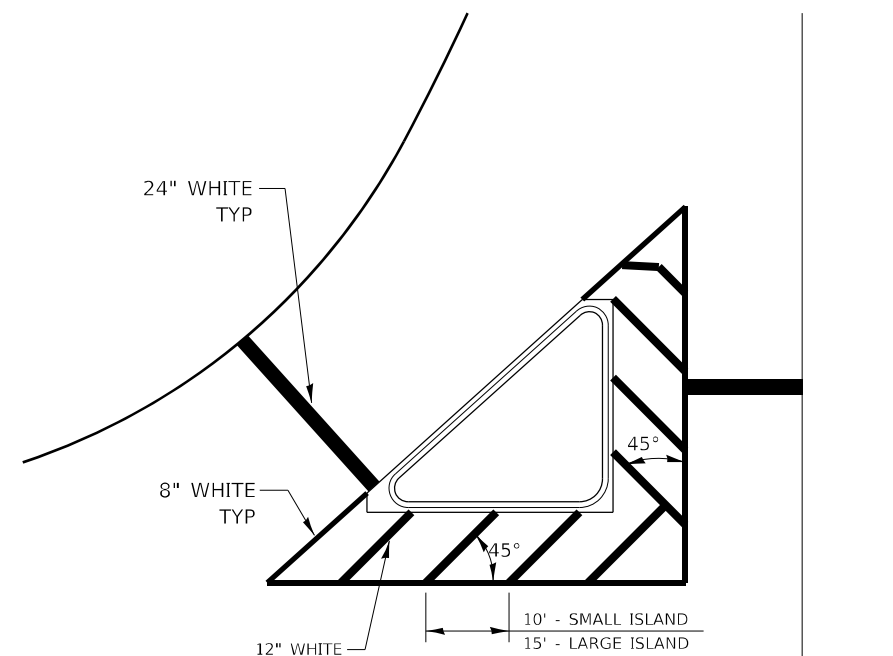


PAVEMENT MARKING



PAVEMENT MARKINGS AT RAILROAD-HIGHWAY GRADE CROSSING

NOTES:
 THE TRANSVERSE SPREAD OF THE "X" MAY VARY ACCORDING TO LANE WIDTH.
 ON MULTI-LANE ROADS, THE STOP LINES SHALL EXTEND ACROSS ALL APPROACH LANES AND SEPARATE RXR SYMBOLS SHALL BE PLACED ADJACENT TO EACH OTHER IN EACH LANE.
 WHEN THE PAVEMENT MARKING SYMBOL IS USED, A PORTION OF THE SYMBOL SHOULD BE LOCATED DIRECTLY ADJACENT TO THE ADVANCE WARNING SIGN (W10-1).



TYPICAL ISLAND

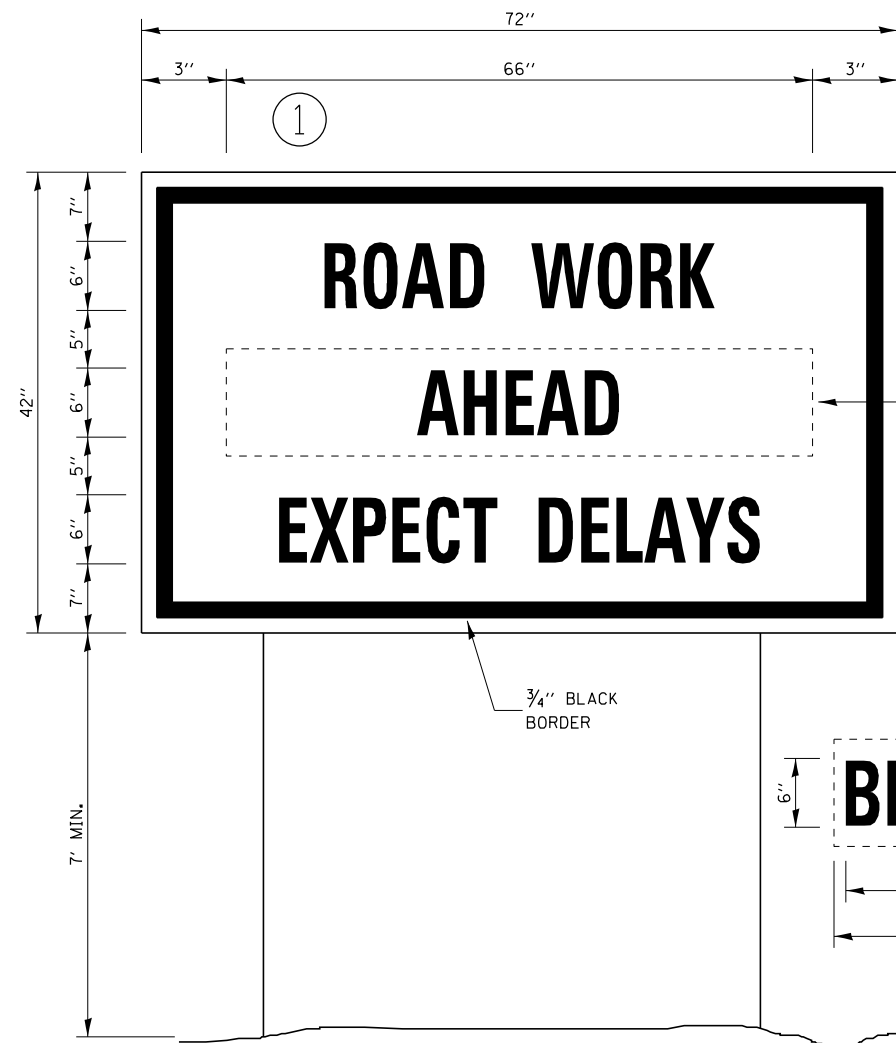
MODEL: Default
 FILE: \\nafe-pw-backend\com\p\w\DOT\Documents\DOT Office\Dir\dir: 3\Project\1036678\CADD\DATA\1036678-5-18-2022.dgn

USER NAME = carpenterd	DESIGNED - _____	REVISED - _____
PLOT SCALE = 100,000' / in.	DRAWN - _____	REVISED - _____
PLOT DATE = 3/24/2022	CHECKED - _____	REVISED - _____
	DATE - _____	REVISED - _____

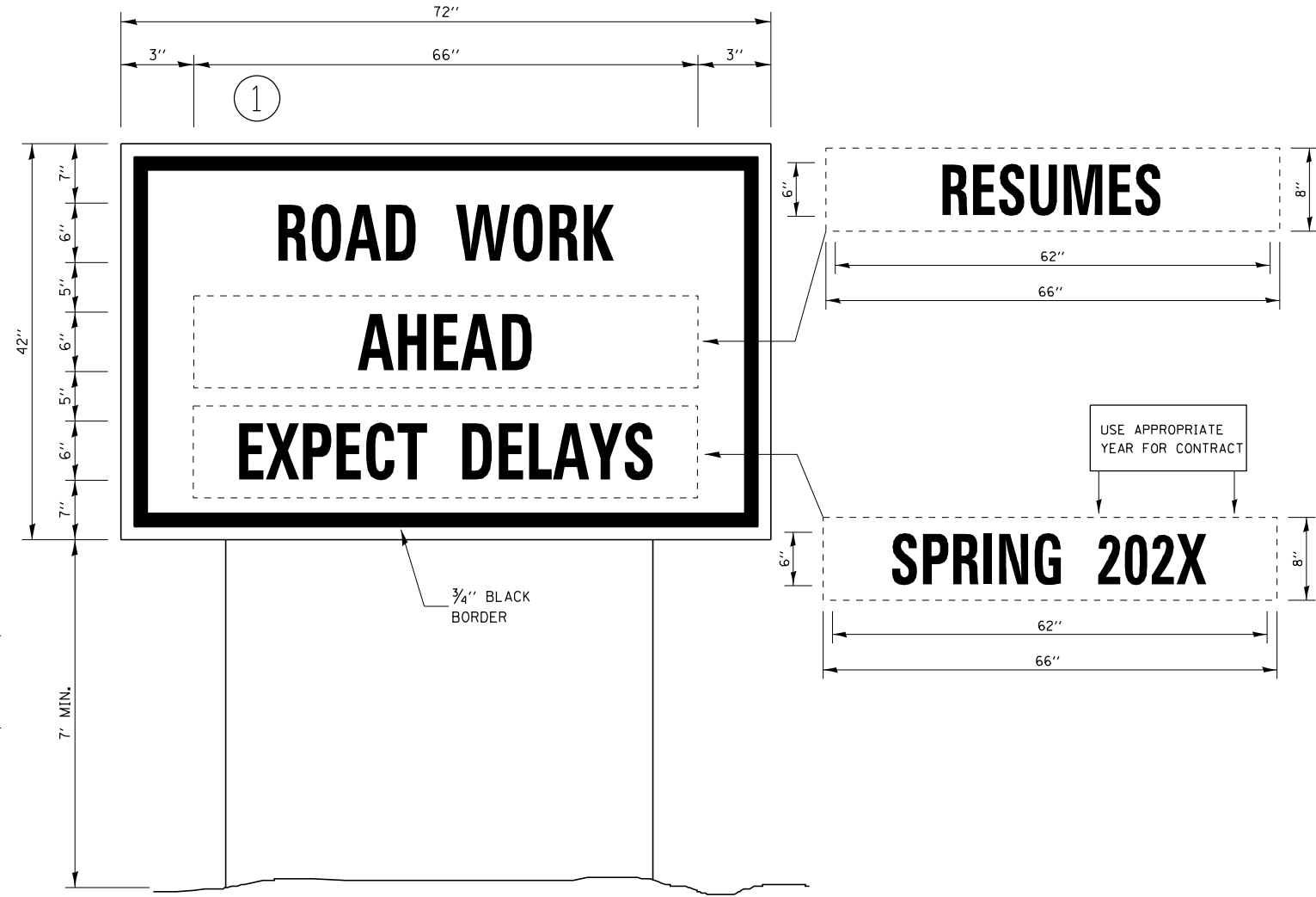
**STATE OF ILLINOIS
 DEPARTMENT OF TRANSPORTATION**

SCALE: _____		SHEET _____ OF _____ SHEETS		STA. _____ TO STA. _____	
--------------	--	-----------------------------	--	--------------------------	--

F.A.S RTE.	SECTION	COUNTY	TOTAL SHEETS	SHEET NO.
317	(36.37)RS-4,5W	IROQUOIS	26	25
CONTRACT NO. 66K78				
ILLINOIS FED. AID PROJECT				



TEMPORARY INFORMATION SIGNING



WINTER SHUT DOWN SIGNING

NOTES:

1. USE 6" D BLACK LETTERING ON FLOURESENT ORANGE BACKGROUND.
2. ERECT SIGNS AT LOCATIONS IN ADVANCE OF THE "ROAD CONSTRUCTION AHEAD" SIGNS AS DIRECTED BY THE ENGINEER.
3. ERECT SIGN ① WITH INSTALLED PANEL ② A MINIMUM OF ONE WEEK PRIOR TO THE START OF THE LANE CLOSURE.
4. REMOVE PANEL ② ON THAT DATE.
5. SEE SPECIAL PROVISION "TEMPORARY INFORMATION SIGNING" FOR ADDITIONAL INFORMATION.
6. WILL BE PAID FOR PER SQ FT AS "TEMPORARY INFORMATION SIGNING". EACH SIGN = 21 SQ FT AND THE DATE PANEL ② WILL NOT BE MEASURED SEPARATELY FOR PAYMENT.

MODEL: Default
FILE NAME: p:\project-aw-beadley.com\PIV\DOT\Documents\DOT Office\Dir\dir: 3\Project\0366678\CADD\data\0366678-shc-detailed.dgn

USER NAME = carpenterd	DESIGNED - _____	REVISED - _____
PLOT SCALE = 100,0000' / in.	DRAWN - _____	REVISED - _____
PLOT DATE = 3/24/2022	CHECKED - _____	REVISED - _____
	DATE - _____	REVISED - _____

**STATE OF ILLINOIS
DEPARTMENT OF TRANSPORTATION**

DETAILS

SCALE: _____ SHEET ____ OF ____ SHEETS STA. _____ TO STA. _____

F.A.S RTE.	SECTION	COUNTY	TOTAL SHEETS	SHEET NO.
317	(36.37)RS-4,5W	IROQUOIS	26	26
CONTRACT NO. 66K78			ILLINOIS FED. AID PROJECT	