

STATE OF ILLINOIS
DEPARTMENT OF TRANSPORTATION

F.A.P. RTE.	SECTION	COUNTY	TOTAL SHEETS	SHEET NO.
71	(112) SFY	IROQUOIS	9	1
		ILLINOIS	CONTRACT NO. 66M18	

INDEX OF SHEETS

- 1 COVER SHEET
- 2 GENERAL NOTES
- 3-4 SUMMARY OF QUANTITIES
- 5 TYPICAL SECTIONS
- 6-7 SCHEDULES
- 8-9 DETAILS

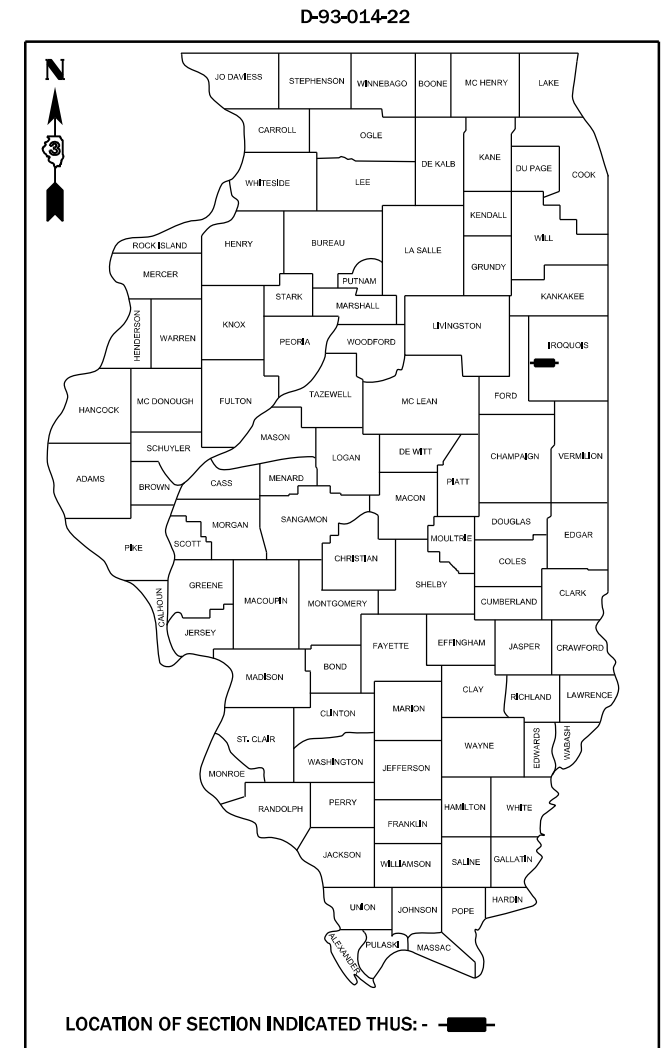
HIGHWAY STANDARDS

- 000001-08 STANDARD SYMBOLS, ABBREVIATIONS AND PATTERNS
- 001006 DECIMAL OF AN INCH AND OF A FOOT
- 406201-01 MAILBOX TURNOUT
- 482001-02 HMA SHOULDER ADJACENT TO FLEXIBLE PAVEMENT
- 482006-03 HMA SHOULDER ADJACENT TO RIGID PAVEMENT
- 642006-01 SHOULDER RUMBLE STRIPS, 8 INCH
- 701006-05 OFF-ROAD OPERATIONS 2L, 2W, 15' (4.5 m) TO 24" (600 mm) FROM PAVEMENT EDGE
- 701311-03 LANE CLOSURE, 2L, 2W, MOVING OPERATIONS - DAY ONLY
- 701326-04 LANE CLOSURE, 2L, 2W, PAVEMENT WIDENING, FOR SPEEDS ≥ 45 MPH
- 701901-08 TRAFFIC CONTROL DEVICES

**PROPOSED
HIGHWAY PLANS**

**FAP ROUTE 71 (IL 54)
SECTION (112) SFY
PROJECT: HSIP - FNS8 (701)
SHOULDER WIDENING AND RUMBLE STRIPS
IROQUOIS COUNTY**

C-93-034-22



IL 54 - MINOR ARTERIAL
2019 ADT = 1200
P.V. = 85.0% S.U. = 7.5% M.U. = 7.5%

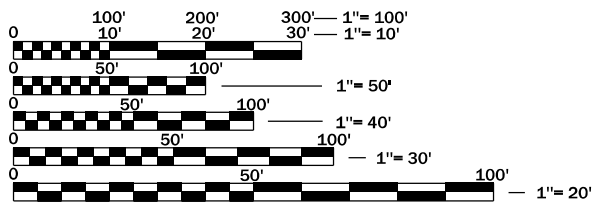
STATE OF ILLINOIS
DEPARTMENT OF TRANSPORTATION

SUBMITTED March 18, 2022

[Signature]
REGIONAL ENGINEER

May 13, 2022 *[Signature]*
ENGINEER OF DESIGN AND ENVIRONMENT

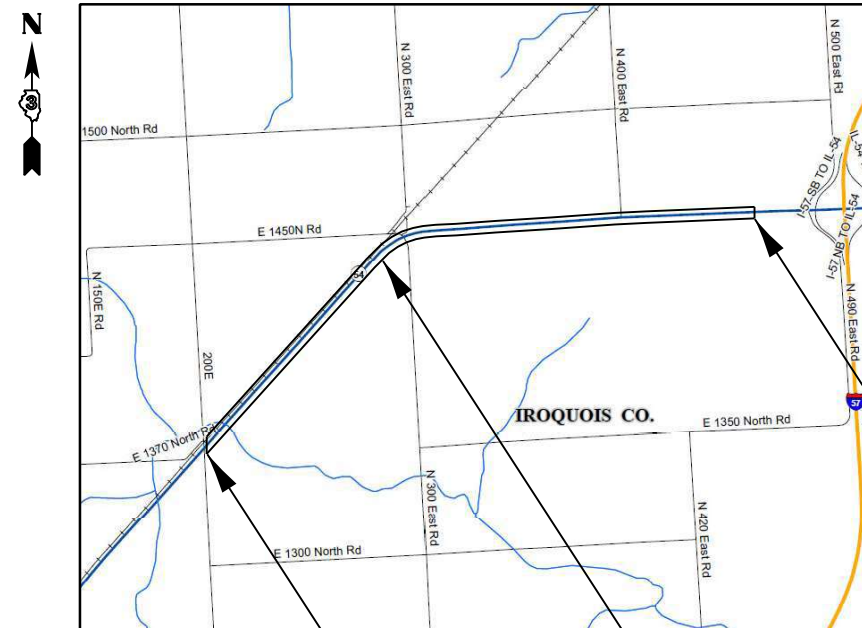
May 13, 2022 *[Signature]*
DIRECTOR OF HIGHWAYS PROJECT IMPLEMENTATION



FULL SIZE PLANS HAVE BEEN PREPARED USING STANDARD ENGINEERING SCALES. REDUCED SIZED PLANS WILL NOT CONFORM TO STANDARD SCALES. IN MAKING MEASUREMENTS ON REDUCED PLANS, THE ABOVE SCALES MAY BE USED.

J.U.L.I.E.
JOINT UTILITY LOCATION INFORMATION FOR EXCAVATION
1-800-892-0123
OR 811

PROJECT ENGINEER: JOE KANNEL, P.E.
UNIT CHIEF: MARC BUDZYNSKI, P.E.
DISTRICT 3 NO. (815) 434-6131
CONTRACT NO. 66M18



PROJECT BEGINS
0.22 MI WEST OF N 500E RD
STA 45+76

STATION EQUATION
STA 141+79 BK = STA 142+33 AH

PROJECT ENDS
JUST EAST OF N 200E RD
STA 205+40

GROSS LENGTH = 15,910 FT. = 3.01 MILES
NET LENGTH = 15,243 FT. = 2.89 MILES

**PRINTED BY THE AUTHORITY
OF THE STATE OF ILLINOIS**

GENERAL NOTES

THE HMA SURFACE OF ALL MAILBOX TURNOUTS, PRIVATE ENTRANCES, COMMERCIAL ENTRANCES, AND SIDE ROADS SHALL BE MADE NEATLY, IN A WORKMANLIKE MANNER, AND SHALL ACCURATELY CONFORM TO THE SHAPES AND DIMENSIONS SHOWN ON THE PLAN DETAILS. IF REQUIRED BY THE ENGINEER, THE CONTRACTOR SHALL SAW CUT THE HMA SURFACE TO CONFORM TO THE SHAPES AND DIMENSIONS SHOWN ON THE PLAN DETAILS. THIS WORK WILL BE INCLUDED IN THE COST OF THE HMA SURFACE.

ABANDONED UNDERGROUND UTILITIES THAT CONFLICT WITH CONSTRUCTION SHALL BE DISPOSED OF OUTSIDE THE LIMITS OF THE RIGHT OF WAY ACCORDING TO ARTICLE 202.03 OF THE STANDARD SPECIFICATIONS AND AS DIRECTED BY THE ENGINEER. THIS WORK WILL NOT BE PAID FOR SEPARATELY, BUT WILL BE INCLUDED IN THE COST OF EARTH EXCAVATION.

THE FOLLOWING RATES OF APPLICATION HAVE BEEN USED IN CALCULATING PLAN QUANTITIES:

HMA RESURFACING	112	LBS / SQ YD / IN
-----------------	-----	------------------

ALL DAMAGE TO DEPARTMENT OWNED UNDERGROUND FACILITIES, CAUSED BY THE CONTRACTOR SHALL BE REPAIRED TO THE SATISFACTION OF THE DEPARTMENT AT THE CONTRACTOR'S EXPENSE. THIS SHALL INCLUDE ALL TEMPORARY REPAIRS REQUIRED TO KEEP THE FACILITY OPERATIONAL WHILE MATERIAL IS BEING OBTAINED TO MAKE PERMANENT REPAIRS. SPLICING OF ELECTRIC CABLE WILL NOT BE ALLOWED. ELECTRIC CABLE SHALL BE REPLACED FROM POLE TO POLE OR CONTROLLER.

THE CONTRACTOR SHALL CONTACT JULIE AT LEAST 48 HOURS PRIOR TO EXCAVATION TO DETERMINE WHICH UTILITIES ARE IN THE AREA.

COMMITMENTS:

HMA MIXTURE REQUIREMENT TABLE		
LOCATION(S) :	ENTIRE PROJECT	ENTIRE PROJECT
MIXTURE USE(S) :	SHOULDER BOTTOM LIFT(S)	SHOULDER TOP LIFT (2")
BINDER GRADE (PG) :	PG 64-22	PG 64-22
DESIGN AIR VOIDS:	4.0% @ N50	4.0% @ N50
MIXTURE COMPOSITION: (MIXTURE GRADATION)	1L-19.0	1L-9.5 FG
FRICTION AGGREGATE:	-	-
MIXTURE WEIGHT:	112.0 LB/SY/IN	112.0 LB/SY/IN
QUALITY MANAGEMENT PROGRAM:	QC/QA	QC/QA
SUBLOT SIZE :	N/A	N/A
DENSITY TEST METHOD:	CORES	CORES
MATERIAL TRANSFER DEVICE (REQUIRED?):	NO	NO

STATE OF ILLINOIS
DEPARTMENT OF TRANSPORTATION
DISTRICT THREE
AS BUILT INFORMATION

STATE OF ILLINOIS
DEPARTMENT OF TRANSPORTATION
DISTRICT THREE

SUPERVISING CONSTRUCTION FIELD ENGINEER

PREPARED BY: _____
DISTRICT STUDIES & PLANS ENGINEER

RESIDENT ENGINEER / TECHNICIAN

DATE: _____

START & END DATES
OF CONSTRUCTION:

EXAMINED BY: _____
DISTRICT CONSTRUCTION ENGINEER

INSPECTORS:

DISTRICT MATERIALS ENGINEER

DISTRICT OPERATIONS ENGINEER

MODEL: \\MODELS\MAR18
FILE: \\MAR18_CADD\work\addtbl\budzynskim\075058603\66M18-sh-covr.dgn

USER NAME = budzynskim	DESIGNED -	REVISED -
	DRAWN -	REVISED -
PLOT SCALE = 100.0000' / in.	CHECKED -	REVISED -
PLOT DATE = 3/18/2022	DATE -	REVISED -

**STATE OF ILLINOIS
DEPARTMENT OF TRANSPORTATION**

GENERAL NOTES

SCALE: SHEET OF SHEETS STA. TO STA.

F.A.P. RTE.	SECTION	COUNTY	TOTAL SHEETS	SHEET NO.
71	(112) SFY	IROQUOIS	9	2
CONTRACT NO. 66M18				
ILLINOIS FED. AID PROJECT				

CONSTR. CODE

90% FED
10% STATE

SAFETY

0021

RURAL

CODE NO.	ITEM	UNIT	TOTAL QUANTITY	SAFETY	RURAL
40600290	BITUMINOUS MATERIALS (TACK COAT)	POUND	6068	6068	
40800050	INCIDENTAL HOT-MIX ASPHALT SURFACING	TON	8.1	8.1	
44000157	HOT-MIX ASPHALT SURFACE REMOVAL, 2"	SQ YD	70	70	
48203029	HOT-MIX ASPHALT SHOULDERS, 8"	SQ YD	13407	13407	
64200108	SHOULDER RUMBLE STRIPS, 8 INCH	FOOT	29269	29269	
* 66900200	NON-SPECIAL WASTE DISPOSAL	CU YD	1050	1050	
* 66900530	SOIL DISPOSAL ANALYSIS	EACH	3	3	
* 66901001	REGULATED SUBSTANCES PRE-CONSTRUCTION PLAN	L SUM	1	1	
* 66901003	REGULATED SUBSTANCES FINAL CONSTRUCTION REPORT	L SUM	1	1	
* 66901006	REGULATED SUBSTANCES MONITORING	CAL DA	6	6	
67100100	MOBILIZATION	L SUM	1	1	
70100500	TRAFFIC CONTROL AND PROTECTION, STANDARD 701326	L SUM	1	1	
70103815	TRAFFIC CONTROL SURVEILLANCE	CAL DA	5	5	
* 78001110	PAINT PAVEMENT MARKING - LINE 4"	FOOT	62992	62992	

*= SPECIALTY ITEM

MODEL: I:\MODELS\MJ\MS
FILE: I:\MODELS\MJ\MS\work\sidejob\budzynskim\0750566D366M18-shr-cover.dgn

USER NAME = budzynskim	DESIGNED -	REVISED -
	DRAWN -	REVISED -
PLOT SCALE = 100.0000 ' / in.	CHECKED -	REVISED -
PLOT DATE = 3/18/2022	DATE -	REVISED -

**STATE OF ILLINOIS
DEPARTMENT OF TRANSPORTATION**

SUMMARY OF QUANTITIES

SCALE: SHEET OF SHEETS STA. TO STA.

F.A.P. RTE.	SECTION	COUNTY	TOTAL SHEETS	SHEET NO.
71	(112) SFY	IROQUOIS	9	3
			CONTRACT NO. 66M18	
ILLINOIS FED. AID PROJECT				

MODEL: \\MODELM\JM\MS
FILE: \\models\csp\work\sidejob\budzynskim\0750566D366M18-shr-cover.dgn

USER NAME = budzynskim	DESIGNED -	REVISED -
	DRAWN -	REVISED -
PLOT SCALE = 100.0000 ' / in.	CHECKED -	REVISED -
PLOT DATE = 3/18/2022	DATE -	REVISED -

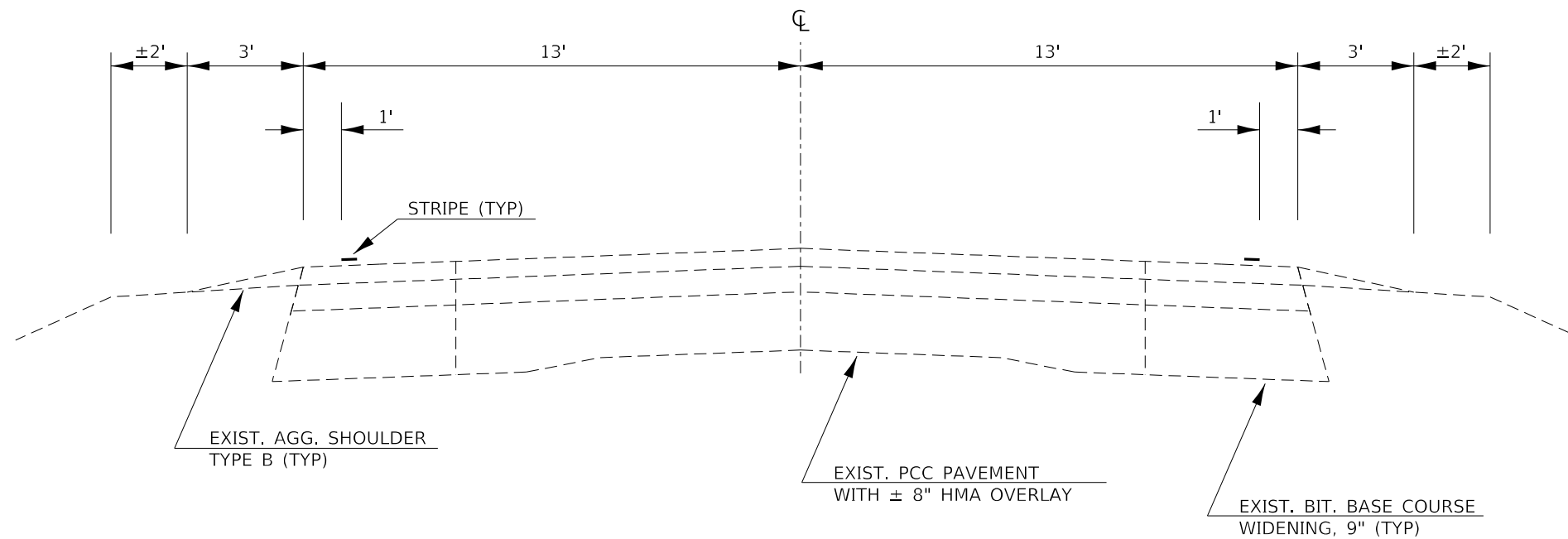
**STATE OF ILLINOIS
DEPARTMENT OF TRANSPORTATION**

SUMMARY OF QUANTITIES

SCALE: SHEET OF SHEETS STA. TO STA.

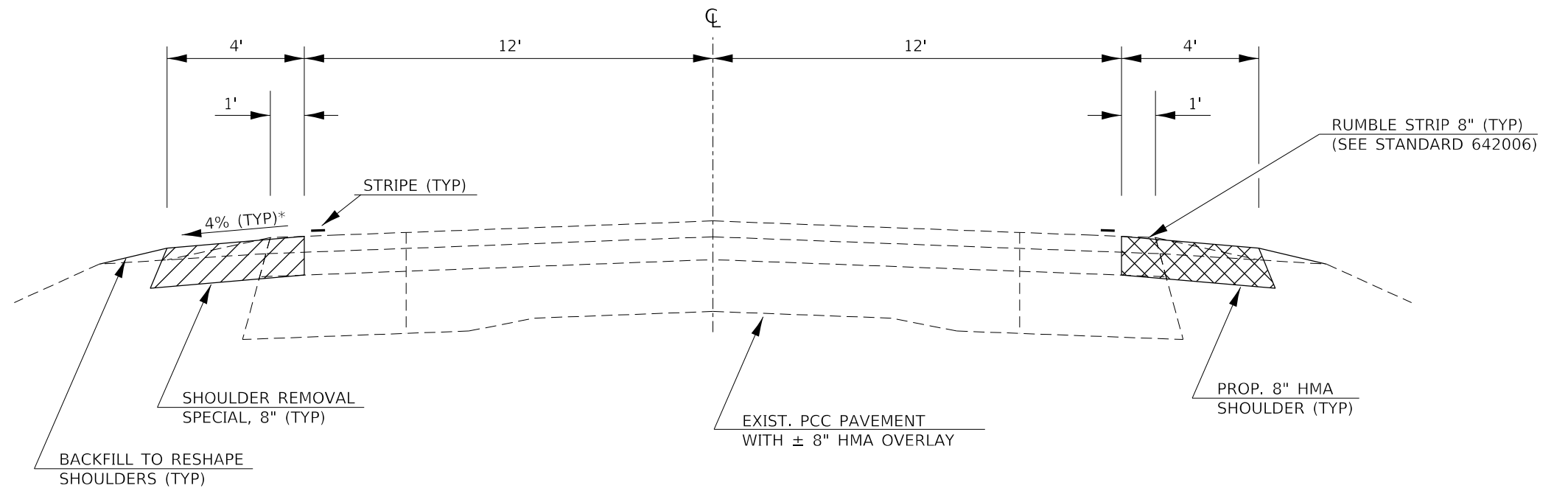
F.A.P. RTE.	SECTION	COUNTY	TOTAL SHEETS	SHEET NO.
71	(112) SFY	IROQUOIS	9	4
			CONTRACT NO. 66M18	
		ILLINOIS	FED. AID PROJECT	

CODE NO.	ITEM	UNIT	TOTAL QUANTITY	CONSTR. CODE
				90% FED 10% STATE
				SAFETY
				0021
				RURAL
X0800001	SHOULDER REMOVAL (SPECIAL)	SQ YD	13407	13407
Z0030850	TEMPORARY INFORMATION SIGNING	SQ FT	42	42



EXISTING TYPICAL SECTION

STA 45+76 TO STA 141+79
 STA 141+79 BK = STA 142+33 AH
 STA 142+33 TO STA 205+40



PROPOSED TYPICAL SECTION

STA 45+76 TO STA 141+79
 STA 141+79 BK = STA 142+33 AH
 STA 142+33 TO STA 205+40

*REFER TO STANDARD 482001 IN AREAS OF SUPERELEVATION

MODEL: \\MODELS\MJMS\FILE: \\models\cadd\work\sidejob\budzynskim\07505680D366M18-sh-covr.dgn

USER NAME = budzynskim	DESIGNED -	REVISED -
	DRAWN -	REVISED -
PLOT SCALE = 100.0000' / in.	CHECKED -	REVISED -
PLOT DATE = 3/18/2022	DATE -	REVISED -

**STATE OF ILLINOIS
 DEPARTMENT OF TRANSPORTATION**

TYPICAL SECTIONS

SCALE: SHEET OF SHEETS STA. TO STA.

F.A.P. RTE.	SECTION	COUNTY	TOTAL SHEETS	SHEET NO.
71	(112) SFY	IROQUOIS	9	5
CONTRACT NO. 66M18				
ILLINOIS FED. AID PROJECT				

SHOULDER REMOVAL & REPLACEMENT SCHEDULE									
LOCATION			SIDE	LENGTH	SHOULDER REMOVAL (SPECIAL)	HMA SHOULDERS 8"	BIT MTLs TACK COAT	SHOULDER RUMBLE STRIPS, 8"	*PAINT PVMT MARKING WHITE 4"
STA	TO	STA	LT / RT	FOOT	SQ YD	SQ YD	POUND	FOOT	FOOT
45+76	TO	46+06	LT	30	14	14	6	30	120
46+06	TO	79+76	LT & RT	3370	2996	2996	1348	6490	13480
79+76	TO	79+96	LT	20	9	9	4	20	40
N 400E Rd = STA 79+96									
79+96		80+17	LT	21	10	10	5	21	42
80+17	TO	133+12	LT & RT	5295	4707	4707	2118	9955	21180
N 300E Rd = STA 133+70									
133+97	TO	134+52	LT	55	25	25	11	55	110
134+52	TO	141+79	LT & RT	727	647	647	291	1454	2908
STATION EQUATION									
STA 141+79 BK = STA 142+33 AH									
142+33	TO	193+27	LT & RT	5094	4528	4528	2038	10188	20376
193+27	TO	194+02	LT	75	34	34	15	75	300
STRUCTURE OMISSION									
SN 038-0207 = STA 196+92									
199+84	TO	200+57	RT	73	33	33	15	73	292
200+57	TO	204+82	LT & RT	425	378	378	170	850	1700
204+82	TO	205+40	LT	58	26	26	12	58	116
TOTAL				15243	13407	13407	6033	29269	62992

*QUANTITY REPRESENTS TWO SEPARATE APPLICATIONS

MODEL: M001.M018
FILE: M001.dwg
C:\Users\budzynskim\Documents\07505680366418-shr-cover.dwg

USER NAME = budzynskim	DESIGNED -	REVISED -	STATE OF ILLINOIS DEPARTMENT OF TRANSPORTATION	SCHEDULES				F.A.P. RTE.	SECTION	COUNTY	TOTAL SHEETS	SHEET NO.
PLOT SCALE = 100,0000' / in.	DRAWN -	REVISED -						71	(112) SFY	IROQUOIS	9	6
PLOT DATE = 3/18/2022	CHECKED -	REVISED -		SCALE:	SHEET	OF	SHEETS	STA.	TO	STA.	CONTRACT NO. 66M18	
	DATE -	REVISED -									ILLINOIS FED. AID PROJECT	

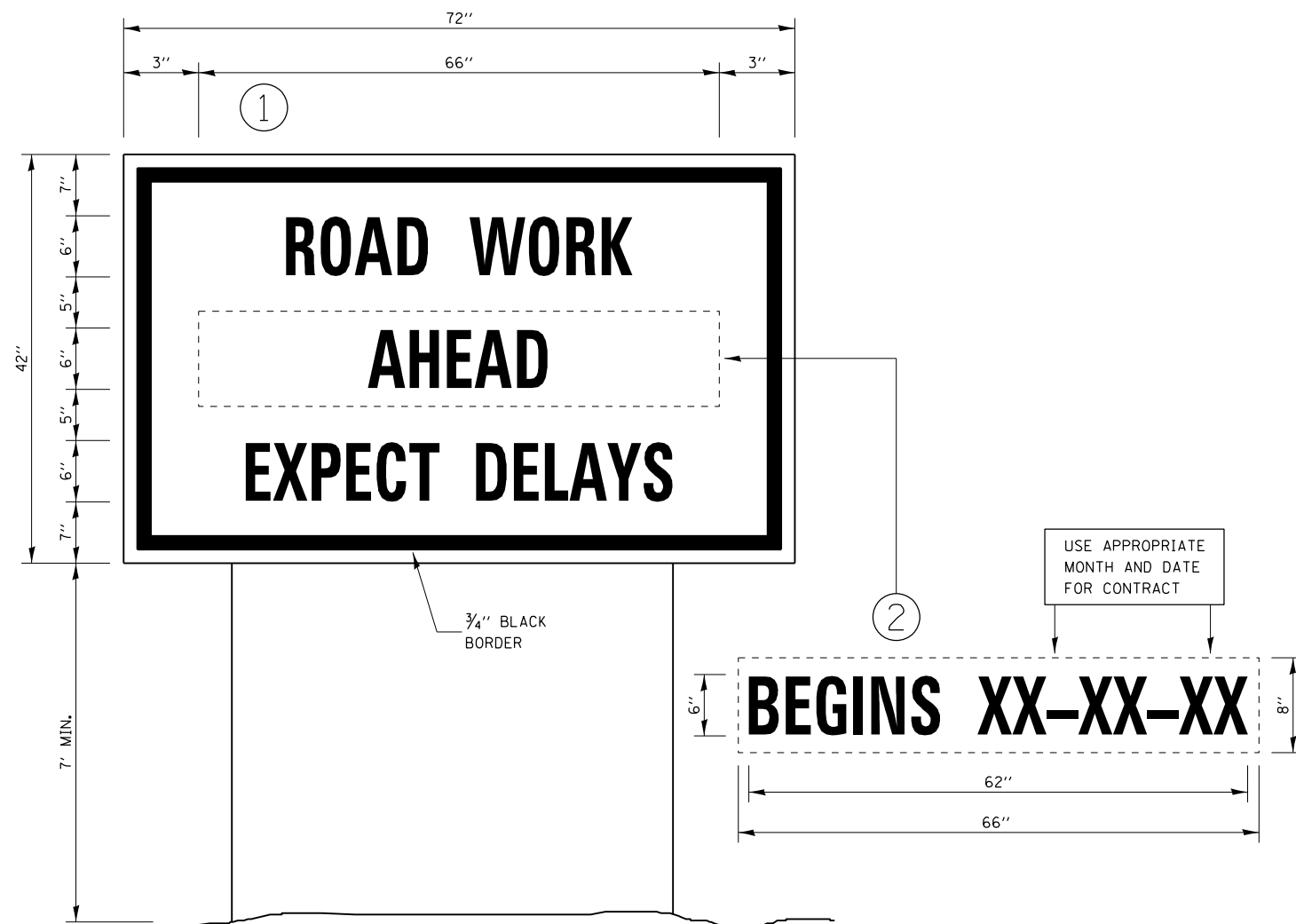
MAILBOX TURNOUT SCHEDULE			
STA / SIDE	HMA SURF REMOVAL 2"	INCIDENTAL HMA SURF 2"	BIT MTLs TACK COAT
	SQ YD	TON	POUND
70+78 RT	9.4	1.1	5
75+22 RT	10.5	1.2	5
85+60 RT	10.5	1.2	5
90+22 RT	6.2	0.7	3
95+28 RT	6.0	0.7	3
96+80 RT	7.5	0.9	4
128+78 RT	12.5	1.4	6
131+68 RT	7.4	0.9	4
TOTAL	70.0	8.1	35

THE FIRST 4 FEET OF THE MBTO ADJACENT TO THE TRAVELED WAY IS PAID AS SHOULDER REMOVAL (SPECIAL) AND HMA SHOULDERS 8". THE REMAINING AREA OF THE MBTO IS PAID AS HMA SURFACE REMOVAL 2" AND INCIDENTAL HMA SURFACE 2".

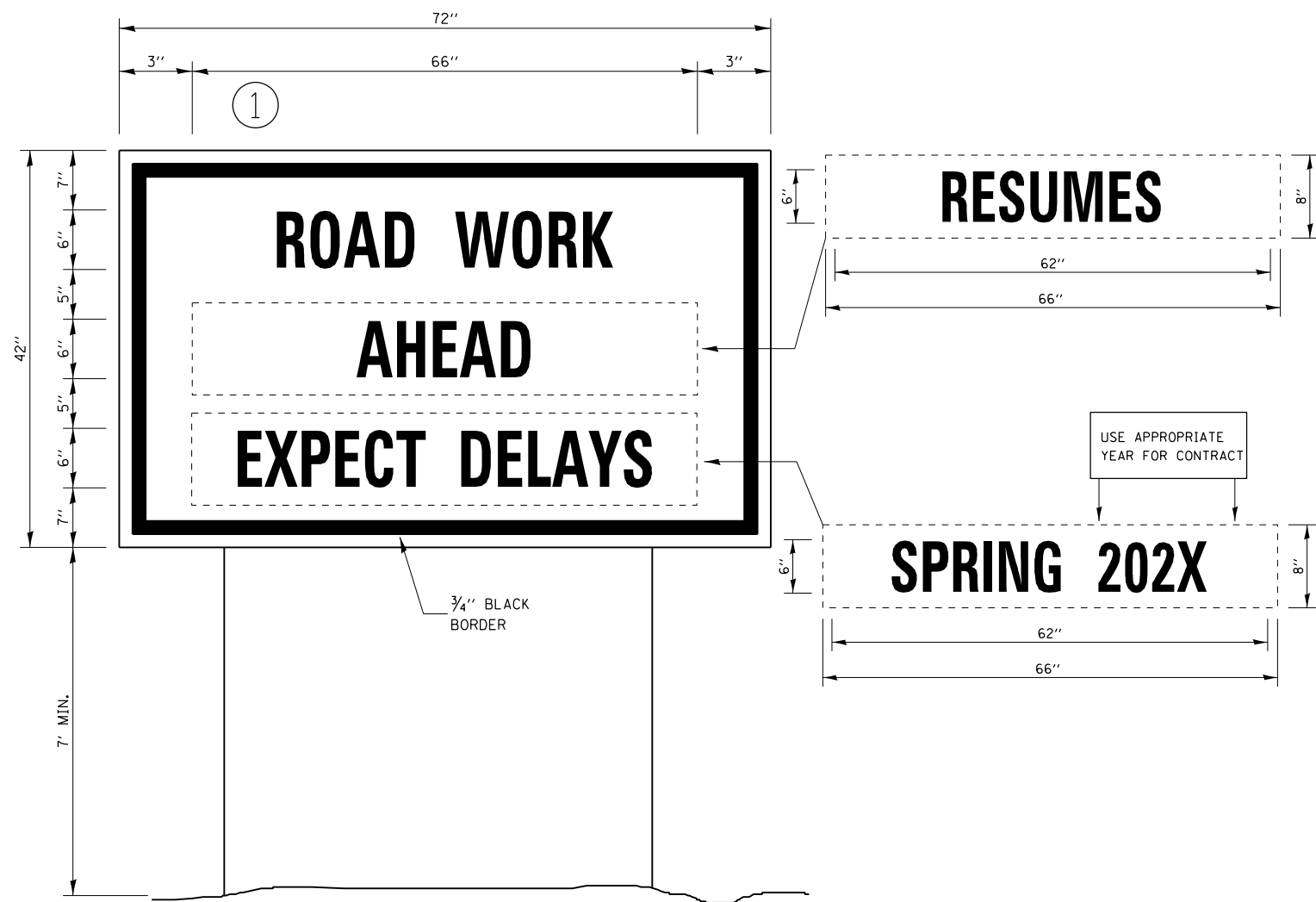
SURVEY MONUMENT TABLE					
MONUMENT NUMBER	DESCRIPTION	EXISTING MONUMENT TYPE	PROPOSED MONUMENT TYPE	MONUMENT RECORD TO BE RECORDED	RESPONSIBILITY
N/A	NO CENTERLINE CONTROL OR LAND SURVEY PERMANENT SURVEY MARKERS TO BE SET ON THIS JOB	N/A	N/A	N/A	N/A
<p>ONLY THE ORIGINAL SCOPE OF THIS JOB HAS BEEN SEARCHED FOR MONUMENTS. R.E. MUST INFORM PLATS AND PLANS TO SEARCH FOR ADDITIONAL MONUMENTS PRIOR TO CONSTRUCTION IF ADDENDUMS ARE ADDED.</p> <p>NO KNOWN LAND SURVEY OR CENTERLINE CONTROL MONUMENTS WILL BE DISTURBED BY THE CONSTRUCTION.</p> <p>UNKNOWN MONUMENTS MAY EXIST. IF AN UNLISTED MONUMENT IS FOUND, R.E. IS REQUIRED TO PROTECT THE MONUMENT FROM DAMAGE UNTIL A PLATS AND PLANS LAND SURVEYOR CAN DOCUMENT THE MONUMENT, PLATS AND PLANS WILL RESET SUCH MONUMENTS IN KIND FOLLOWING CONSTRUCTION.</p> <p>NO MONUMENT RECORDS ARE REQUIRED FOR THIS JOB.</p>					

MODEL: \\MODELS\MJMTS
 FILE: \\MAILS_CADD\work\sidejob\budzynskim\07505680D366M18-shr-cover.dgn

USER NAME = budzynskim	DESIGNED -	REVISED -	STATE OF ILLINOIS DEPARTMENT OF TRANSPORTATION	SCHEDULES		F.A.P. RTE.	SECTION	COUNTY	TOTAL SHEETS	SHEET NO.	
PLOT SCALE = 100.0000' / in.	DRAWN -	REVISED -				71	(112) SFY	IROQUOIS	9	7	
PLOT DATE = 3/18/2022	CHECKED -	REVISED -		SCALE:	SHEET	OF	SHEETS	STA.	TO STA.	CONTRACT NO. 66M18	
	DATE -	REVISED -								ILLINOIS	FED. AID PROJECT



TEMPORARY INFORMATION SIGNING



WINTER SHUT DOWN SIGNING

NOTES:

1. USE 6" D BLACK LETTERING ON FLOURESENT ORANGE BACKGROUND.
2. ERECT SIGNS AT LOCATIONS IN ADVANCE OF THE "ROAD CONSTRUCTION AHEAD" SIGNS AS DIRECTED BY THE ENGINEER.
3. ERECT SIGN ① WITH INSTALLED PANEL ② A MINIMUM OF ONE WEEK PRIOR TO THE START OF THE LANE CLOSURE.
4. REMOVE PANEL ② ON THAT DATE.
5. SEE SPECIAL PROVISION "TEMPORARY INFORMATION SIGNING" FOR ADDITIONAL INFORMATION.
6. WILL BE PAID FOR PER SQ FT AS "TEMPORARY INFORMATION SIGNING". EACH SIGN = 21 SQ FT AND THE DATE PANEL ② WILL NOT BE MEASURED SEPARATELY FOR PAYMENT.

MODEL NAME: IMAH18
FILE NAME: sign_workshop\bid\budzysk\m\07505860\366M18-shut-cover.dgn

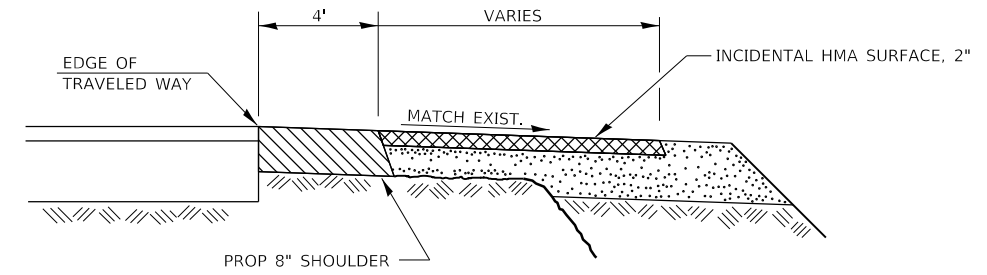
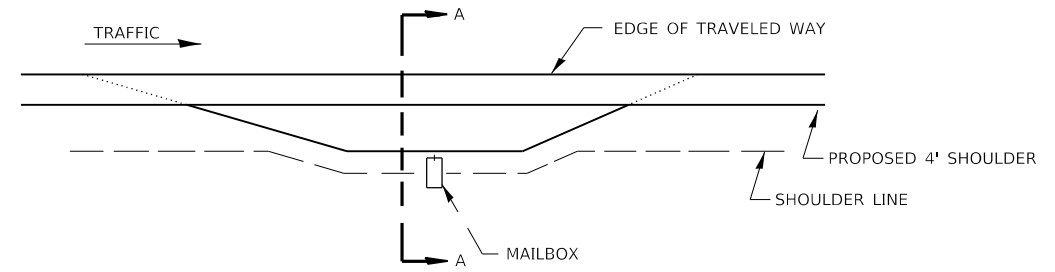
USER NAME = budzysk	DESIGNED -	REVISED -
	DRAWN -	REVISED -
PLOT SCALE = 100.0000' / in.	CHECKED -	REVISED -
PLOT DATE = 3/18/2022	DATE -	REVISED -

**STATE OF ILLINOIS
DEPARTMENT OF TRANSPORTATION**

DETAILS

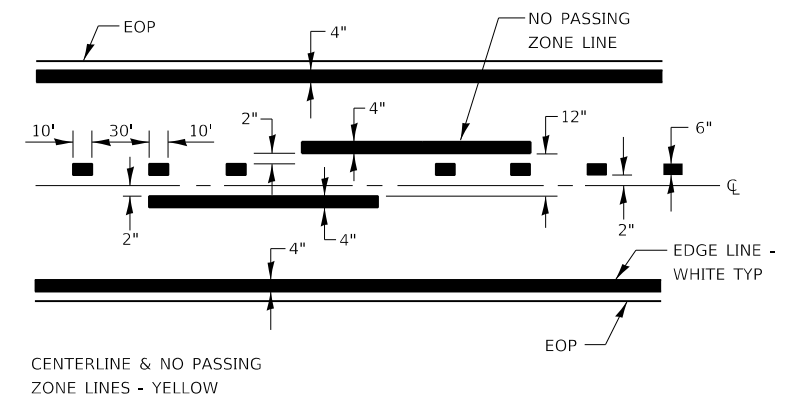
SCALE: SHEET OF SHEETS STA. TO STA.

F.A.P. RTE.	SECTION	COUNTY	TOTAL SHEETS	SHEET NO.
71	(112) SFY	IROQUOIS	9	8
			CONTRACT NO. 66M18	
ILLINOIS FED. AID PROJECT				



SECTION A-A

RURAL MAILBOX TURNOUT DETAILS



PAVEMENT MARKING

MODEL: 4MODEL.MXD
 FILE: Mailbox_Cover.dwg
 User: budzynskim
 Date: 3/18/2022 10:56:03 AM

USER NAME = budzynskim	DESIGNED -	REVISED -
	DRAWN -	REVISED -
PLOT SCALE = 100.0000' / in.	CHECKED -	REVISED -
PLOT DATE = 3/18/2022	DATE -	REVISED -

**STATE OF ILLINOIS
DEPARTMENT OF TRANSPORTATION**

DETAILS

SCALE: SHEET OF SHEETS STA. TO STA.

F.A.P. RTE.	SECTION	COUNTY	TOTAL SHEETS	SHEET NO.
71	(112) SFY	IROQUOIS	9	9
CONTRACT NO. 66M18				
ILLINOIS FED. AID PROJECT				