

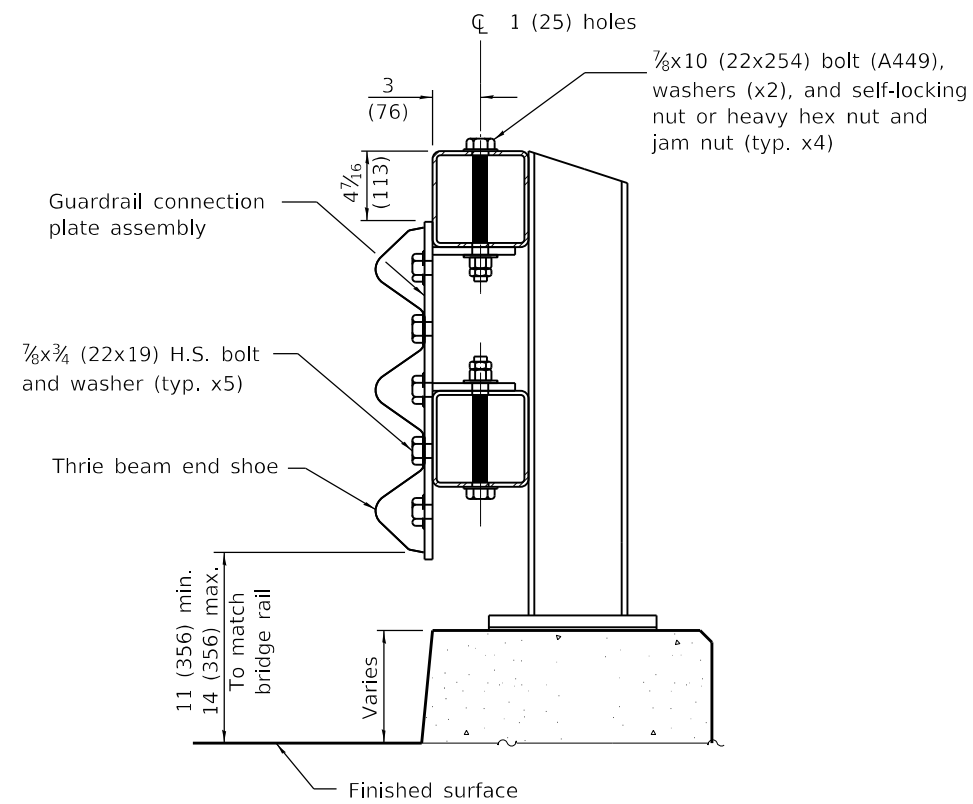
GENERAL NOTES

- See Standard 630001 for details of guardrail not shown.
- Blockouts for posts 1-13 shall be HSS 12x6x1/4 (305x150x6).
- Thrie beam rail shall be bolted to block-out at all posts.
- All slope ratios are expressed as units of vertical displacement to units of horizontal displacement (V:H).
- All dimensions are in inches (millimeters) unless otherwise shown.

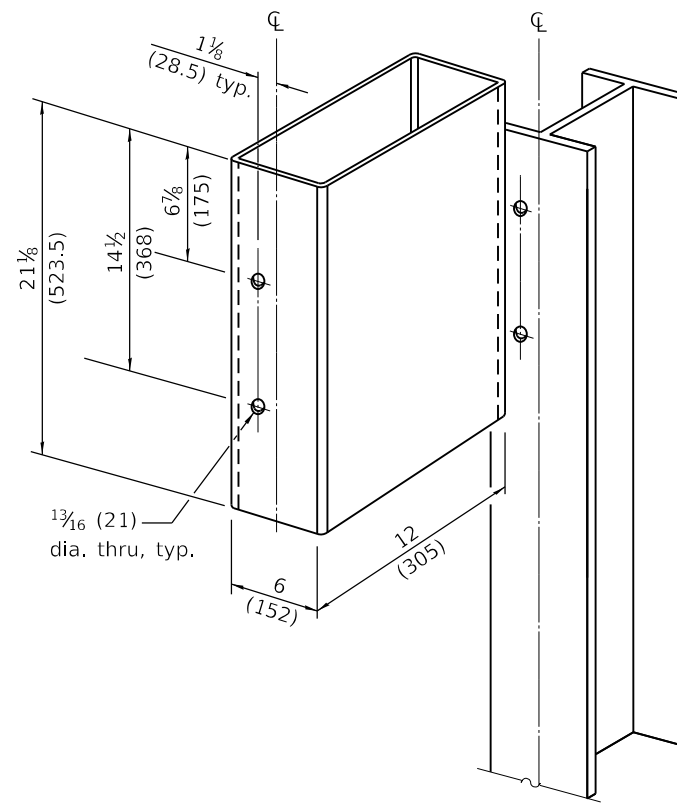
**TRAFFIC BARRIER
TERMINAL, TYPE 14**

(Sheet 1 of 3)

DETAIL

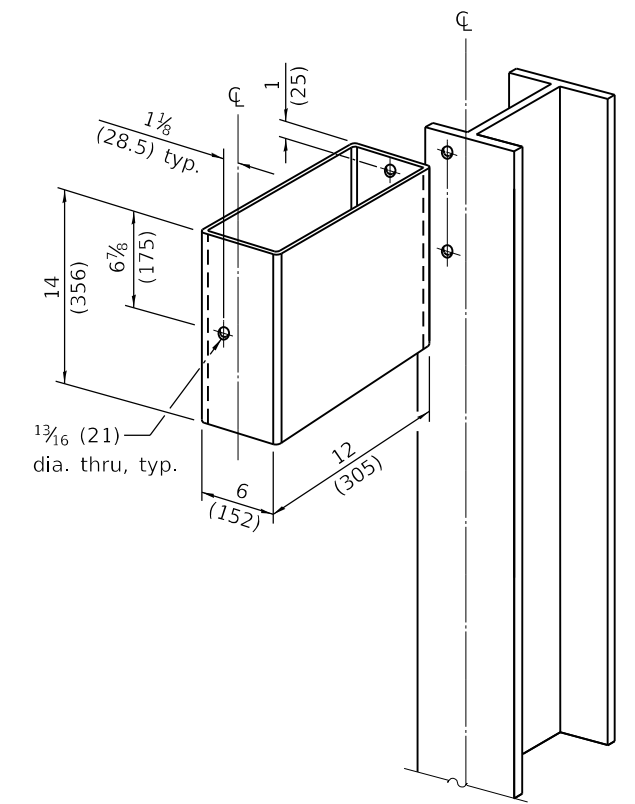


SECTION C-C



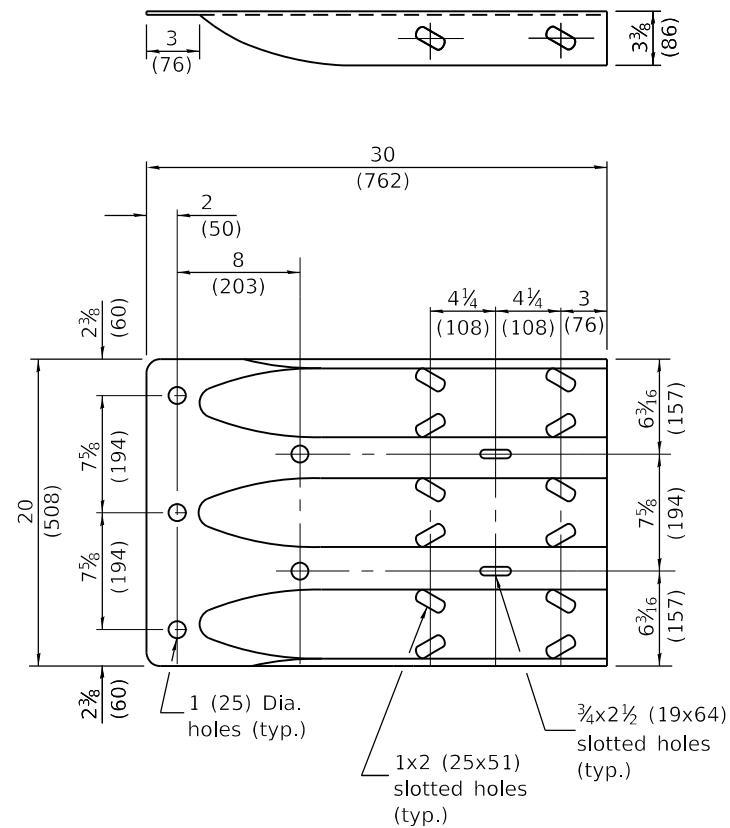
LONG TUBING BLOCKOUT DETAIL

Posts 1-11

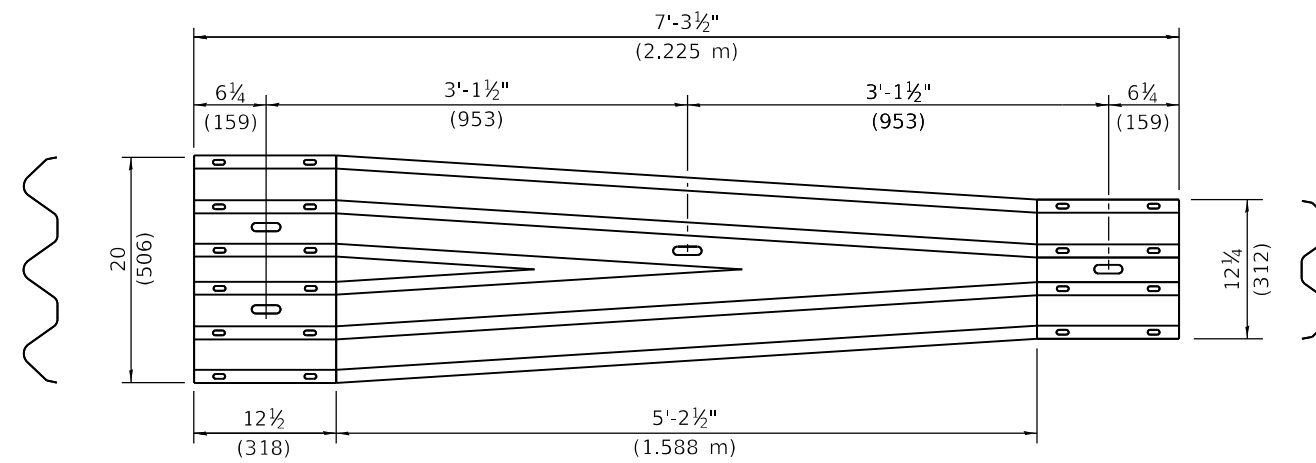


SHORT TUBING BLOCKOUT DETAIL

Posts 12-13



THRIE BEAM END SHOE DETAIL

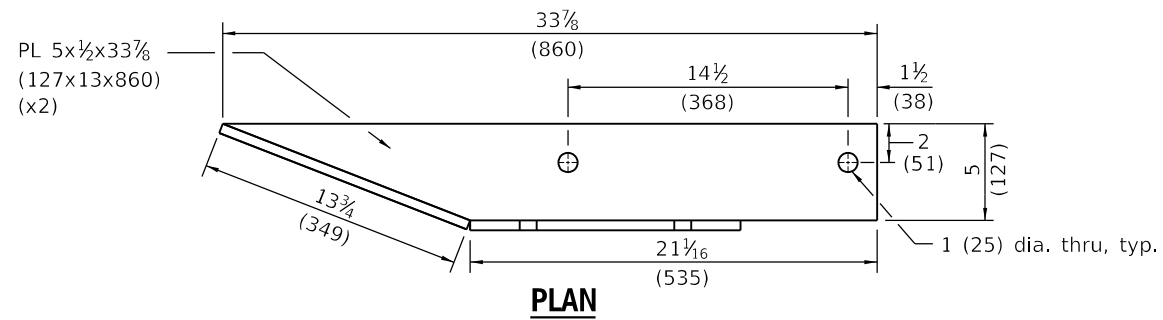


TRANSITION SECTION
(10 gauge (3.4) rail element)

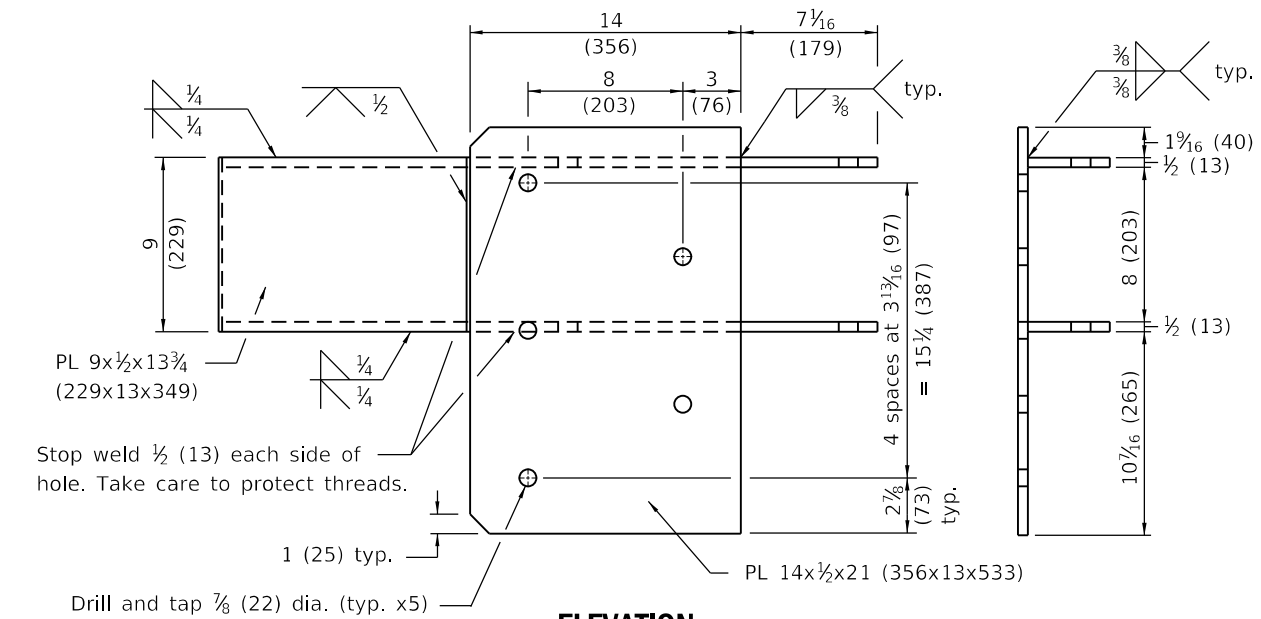
**TRAFFIC BARRIER
TERMINAL, TYPE 14**

(Sheet 2 of 3)

DETAIL



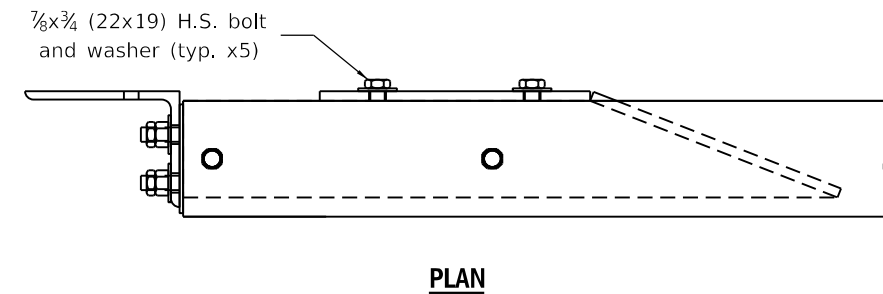
PLAN



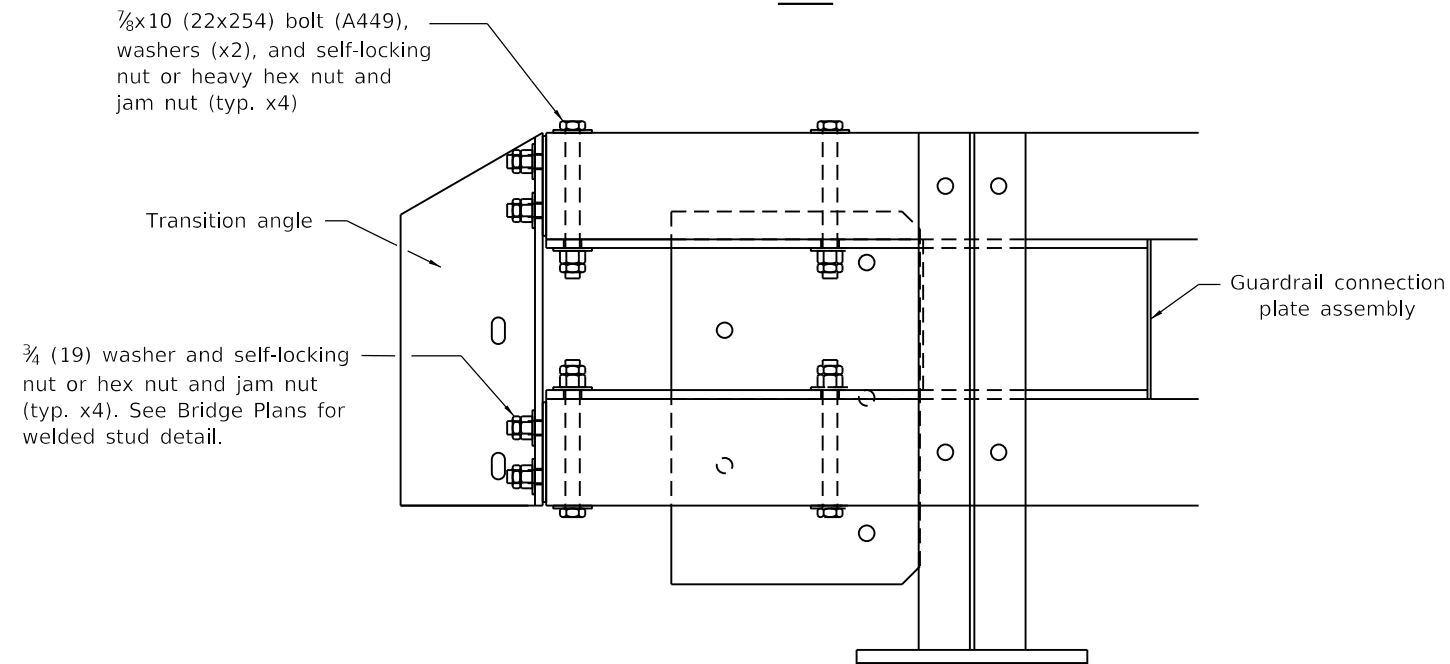
ELEVATION

GUARDRAIL CONNECTION PLATE ASSEMBLY DETAIL

Front View (Mirror for opposite end)



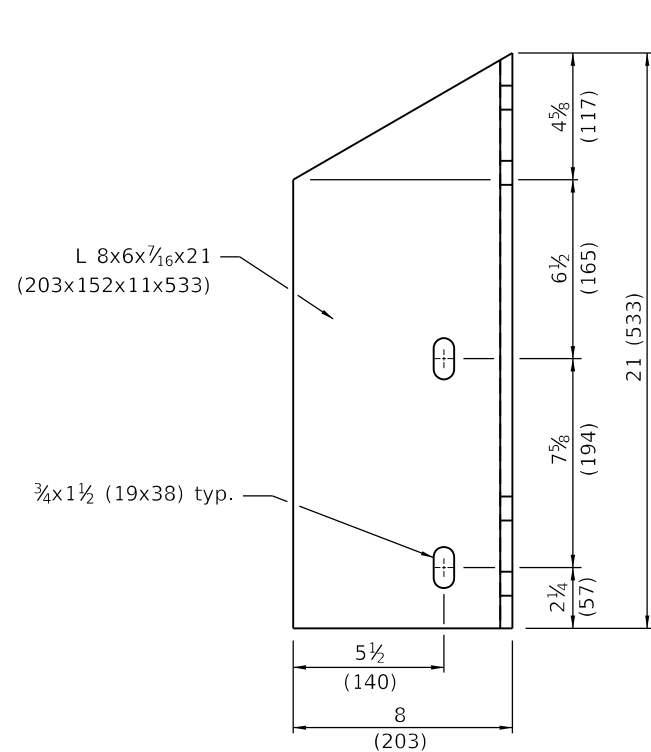
PLAN



ELEVATION

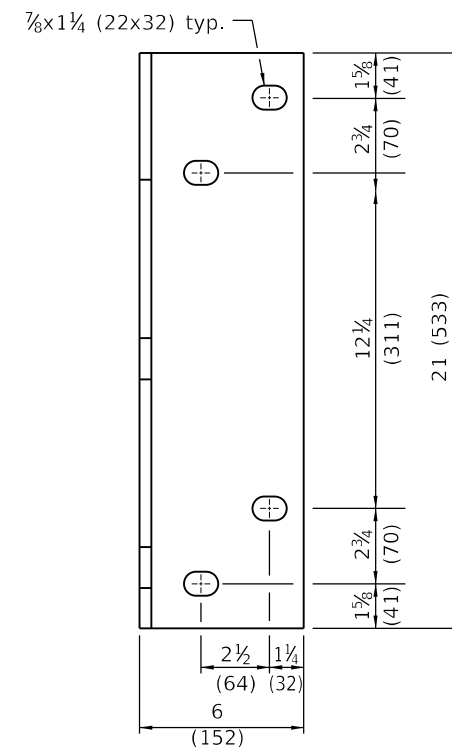
BRIDGE RAIL CONNECTION DETAIL

Back View (Thrie beam end shoe not shown for clarity)



TRANSITION ANGLE

(Mirror for opposite end)



**TRAFFIC BARRIER
TERMINAL, TYPE 14**

(Sheet 3 of 3)

DETAIL