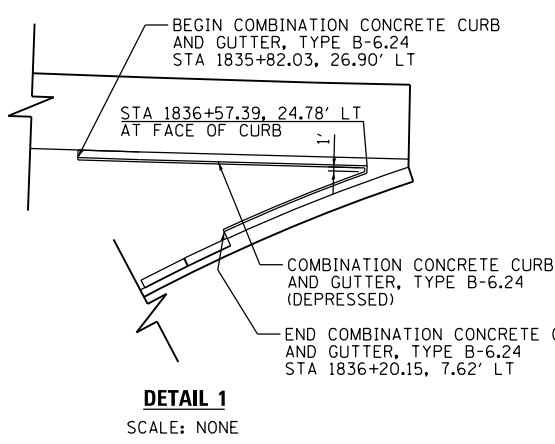
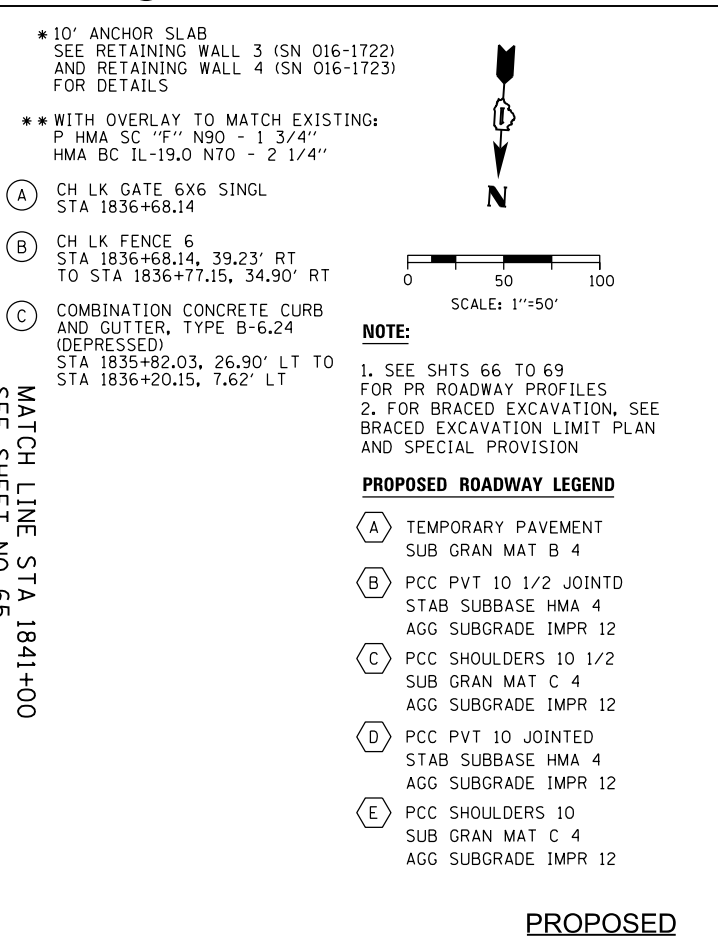
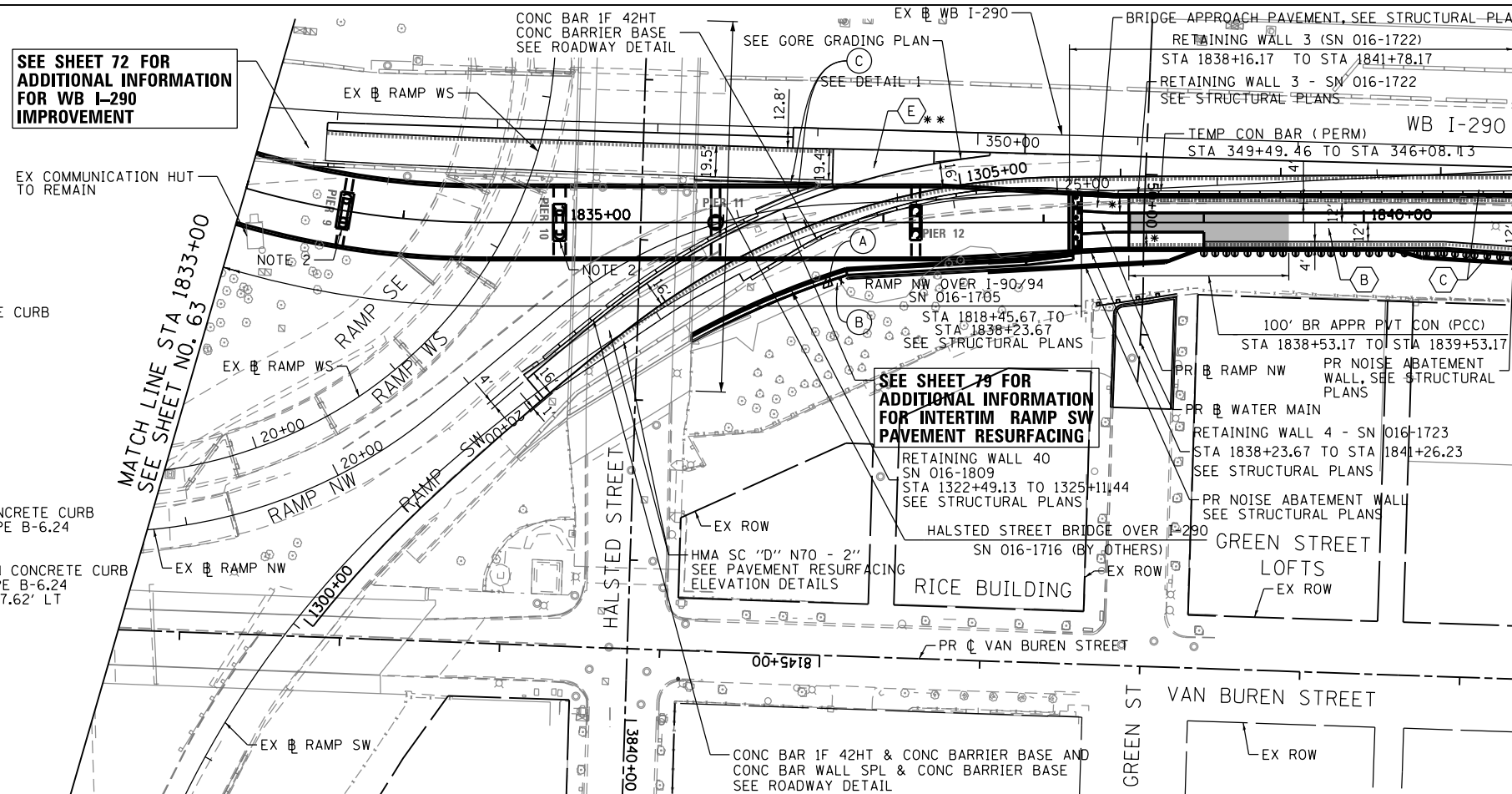
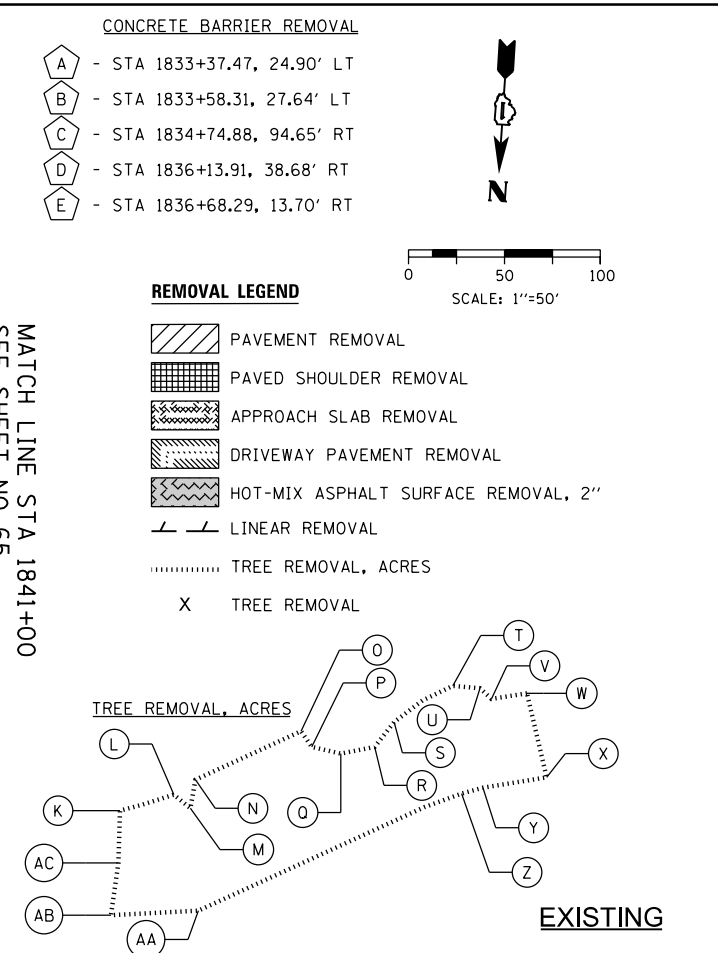
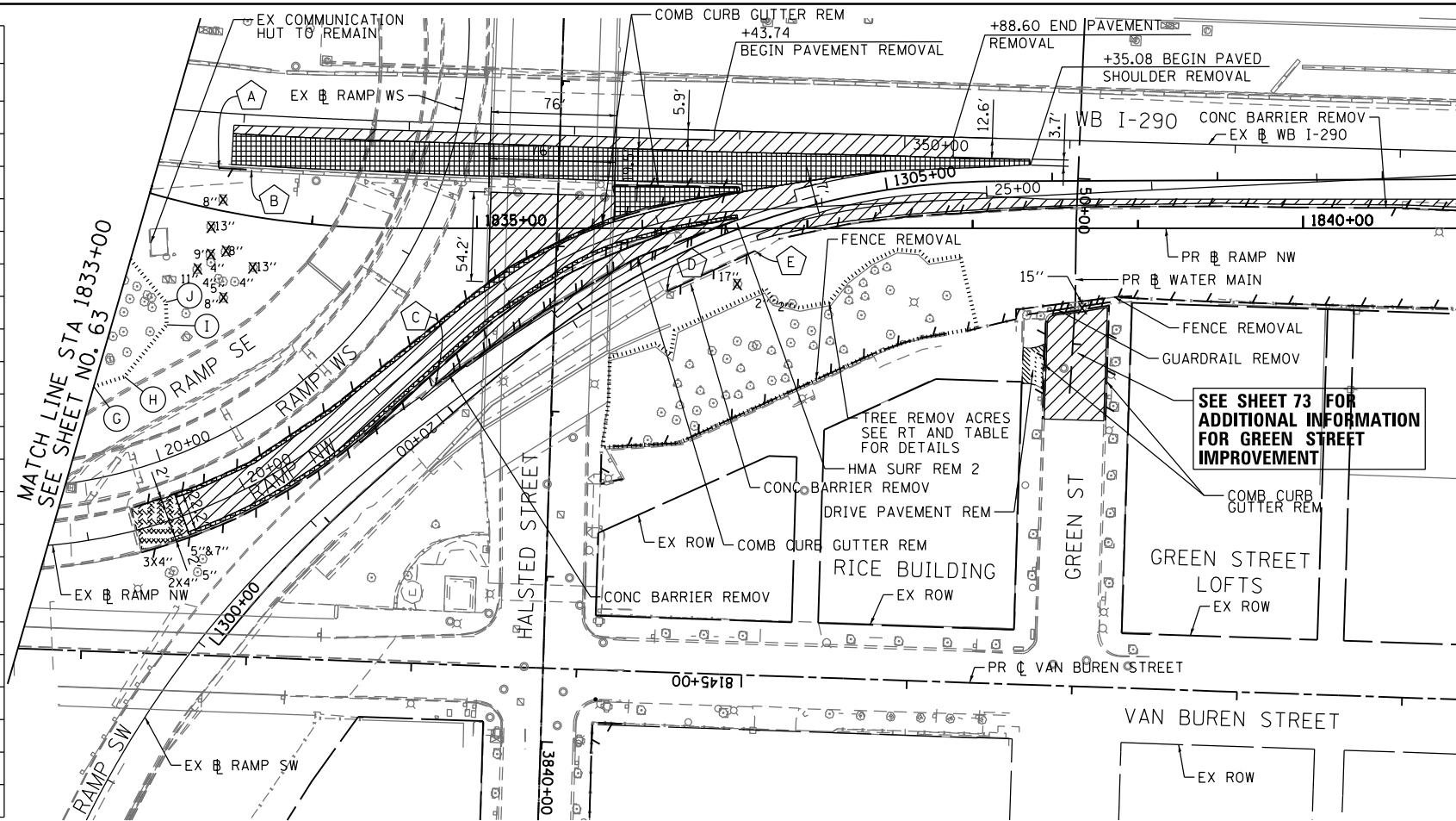


TREE REMOVAL, ACRES

POINT	STATION	OFFSET	LT/RT
(G)	1833+00.00	121.98'	RT
(H)	1833+13.42	111.17'	RT
(I)	1833+28.05	74.57'	RT
(J)	1833+24.88	61.46'	RT
(K)	1835+80.47	77.95'	RT
(L)	1836+08.45	69.54'	RT
(M)	1836+17.09	76.68'	RT
(N)	1836+19.74	61.77'	RT
(O)	1836+74.87	36.56'	RT
(P)	1836+80.32	44.73'	RT
(Q)	1836+95.50	48.13'	RT
(R)	1837+13.17	44.68'	RT
(S)	1837+23.38	31.72'	RT
(T)	1837+53.91	12.82'	RT
(U)	1837+68.11	14.09'	RT
(V)	1837+74.02	19.66'	RT
(W)	1837+92.48	16.75'	RT
(X)	1838+02.82	60.52'	RT
(Y)	1837+69.56	66.01'	RT
(Z)	1837+58.44	69.05'	RT
(AA)	1836+21.24	130.01'	RT
(AB)	1835+75.77	132.42'	RT
(AC)	1835+79.60	105.20'	RT



D160W28-SHT-PLAN-05.dgn  
 USER NAME = pimsarno  
 PLOT SCALE = 100.0000' / 1" / 1"  
 PLOT DATE = 4/28/2014

DESIGNED - KAM  
 DRAWN - NSA/OPS  
 CHECKED - KCF  
 DATE - 04/28/14

REVISED -  
 REVISED -  
 REVISED -  
 REVISED -

STATE OF ILLINOIS  
 DEPARTMENT OF TRANSPORTATION

EXISTING AND PROPOSED PLAN  
 RAMP NW  
 SCALE: 1"=50'  
 SHEET 5 OF 6 SHEETS  
 STA. 1833+00 TO STA. 1841+00

F.A.I. R.T.E.	SECTION	COUNTY	TOTAL SHEETS	SHEET NO.
90/94/290	2013-010R	COOK	747	64
CONTRACT NO. 60W28				
ILLINOIS FED. AID PROJECT				