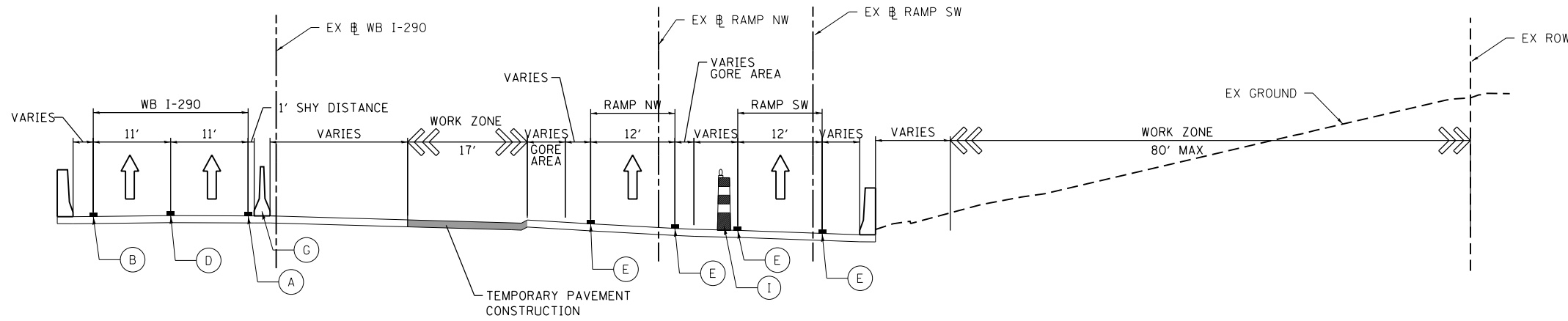
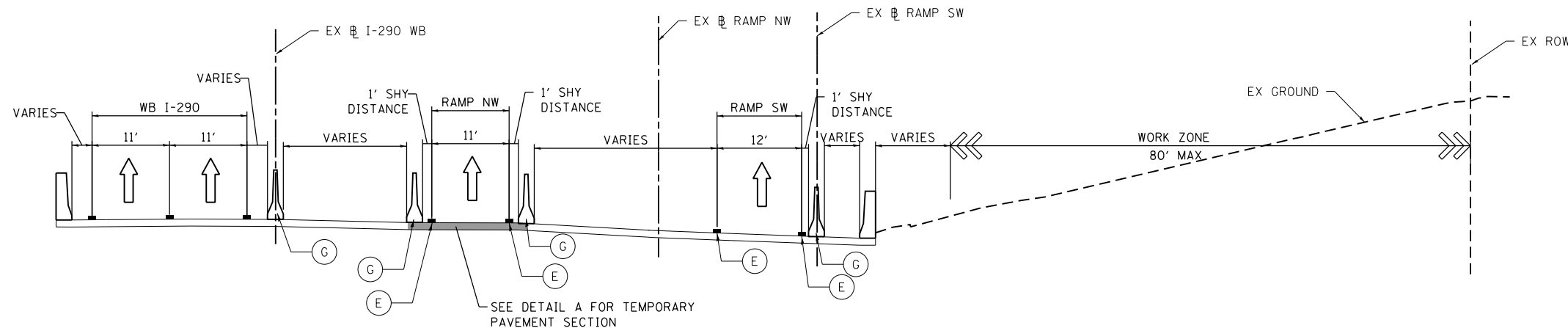


PROPOSED TEMP PAVEMENT MARKINGS AND TRAFFIC CONTROL DEVICES

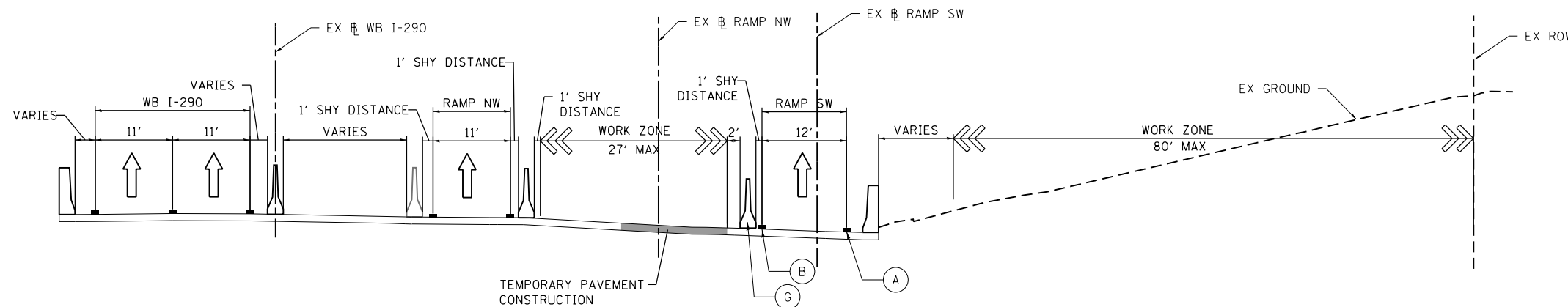
- (A) TEMP EPOXY PVT MK LINE 4 (SOLID WHITE)
- (B) TEMP EPOXY PVT MK LINE 4 (SOLID YELLOW)
- (C) TEMP EPOXY PVT MK LINE 4 (2' DASH 6' SKIP, WHITE)
- (D) TEMP EPOXY PVT MK LINE 5 (10' DASH 30' SKIP, WHITE)
- (E) TEMP EPOXY PVT MK LINE 8 (SOLID WHITE)
- (F) TEMP EPOXY PVT MK LINE 12 (WHITE CHEVRONS @ 45°, 30' SPACING) (TYP)
- (G) TEMP CONC BARRIER @ 12:1 ON TAPERS UNLESS OTHERWISE NOTED
- (H) IMP ATTN TEMP FRN TL3
- (I) TYPE II BARRICADE OR DRUMS WITH STEADY BURN MONODIRECTIONAL LIGHT @ 50' C-C (TYP) ON TAPERS AND RAMP @ 100' C-C (TYP) ON TANGENTS
- (J) DIRECTIONAL INDICATOR BARRICADE WITH STEADY BURN MONODIRECTIONAL LIGHT @ 50' C-C
- (K) REL TEMP CONC BARRIER @ 12:1 ON TAPERS UNLESS OTHERWISE NOTED
- (L) IMP ATTN REL FRN TL3
- (M) TEMP EPOXY PVT MK LINE 8 (3' DASH, 9' SKIP)



SECTION A-A
SCALE: NONE
SEE SHEET NO. 145
STAGE 3A

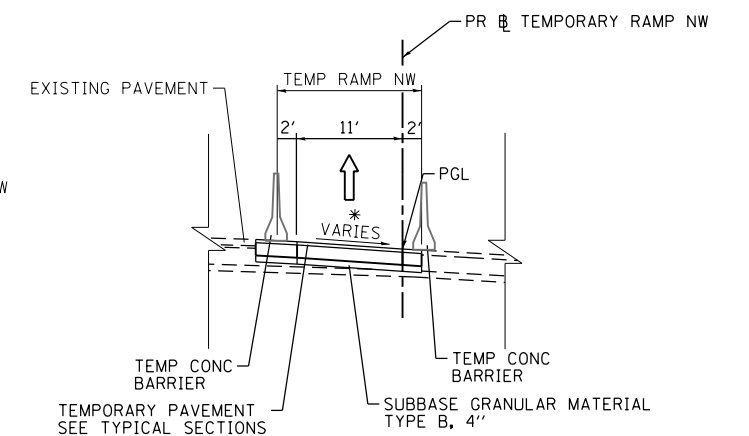


SECTION A-A
SCALE: NONE
SEE SHEET NO. #MOT3B18
STAGE 3B-1



SECTION A-A
SCALE: NONE
SEE SHEET NO. 161
STAGE 3B

DETAIL A: TEMPORARY PAVEMENT SECTION



* SEE SUPERELEVATION TRANSITION DETAILS FOR PAVEMENT CROSS SLOPES

FILE PATH = C:\Project\stage\16160W28-shr-Staging-Typ-03.dgn



D160W28-shr-Staging-Typ-03.dgn
USER NAME = auyeungh
PLOT SCALE = 10.0000" / in.
PLOT DATE = 4/28/2014

DESIGNED - PHP
DRAWN - NSA
CHECKED - KCF
DATE - 04/28/14

REVISED -
REVISED -
REVISED -
REVISED -

**STATE OF ILLINOIS
DEPARTMENT OF TRANSPORTATION**

**SUGGESTED STAGES OF CONSTRUCTION AND TRAFFIC CONTROL PLAN
MAINLINE STAGING 3A, 3B-1, & 3B TYPICAL SECTIONS**

SCALE: NONE SHEET 3 OF 5 SHEETS STA. TO STA.

F.A.I. RTE.	SECTION	COUNTY	TOTAL SHEETS	SHEET NO.
90/94/290	2013-010R	COOK	747	101
CONTRACT NO. 60W28				
ILLINOIS FED. AID PROJECT				