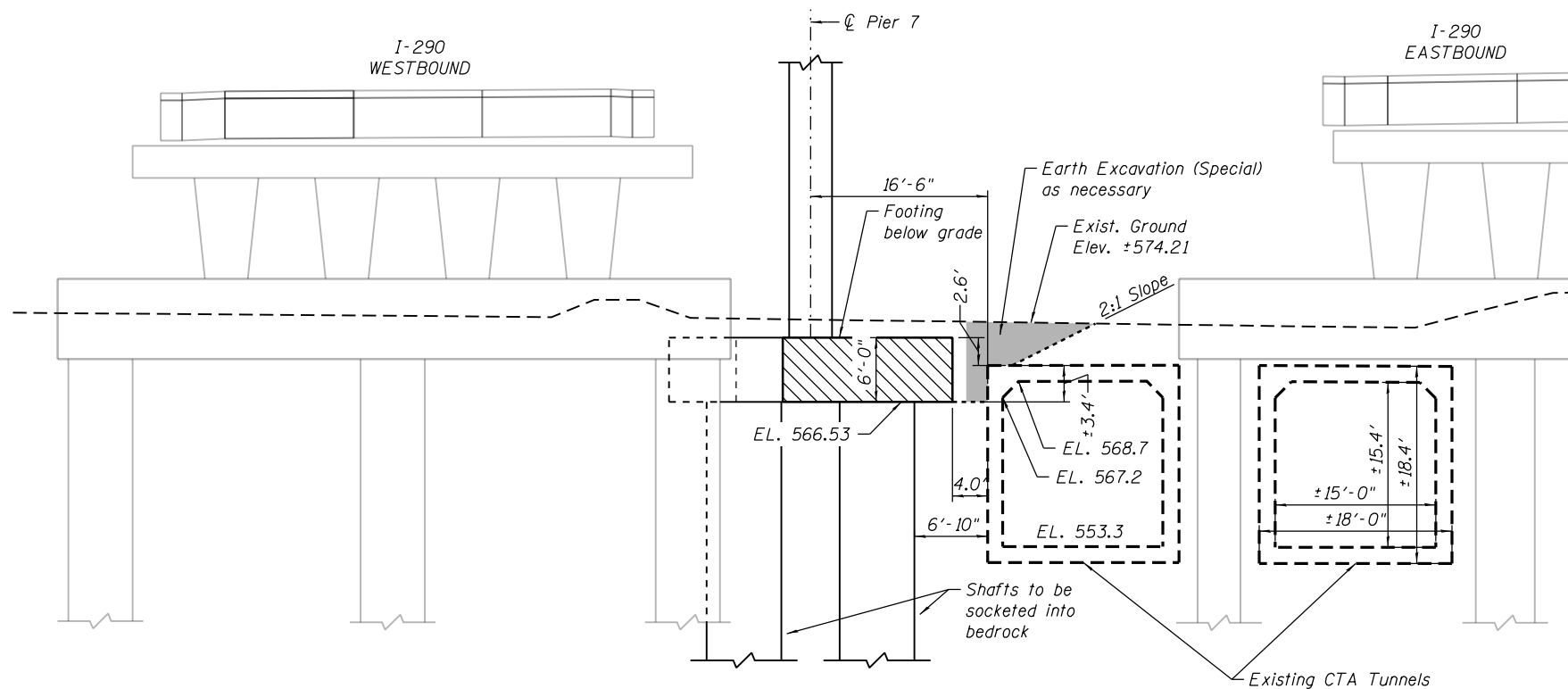


PLAN

NOTES:

1. The location of the CTA tunnel has been identified using a combination of record drawings, survey within the tunnel and test holes at the tunnel. The combination of the test holes and the survey confirmed the top slab and wall thicknesses of $\pm 18"$ for the tunnel structure shown in record drawings.
2. Prior to the start of installation of braced excavation system, the Contractor shall locate outside edge of the CTA tunnel.
3. Excavation within 2'-0" of outside edge of CTA tunnel shall be performed per special provision Earth Excavation (Special) using only hand excavation or approved methods that would cause minimal risk of damage to the CTA tunnel. The limits of excavation work shall be identified prior to start of work. All planned excavation is subject to approval by the Engineer and CTA.
4. Braced Excavation shall be designed considering a minimum offset to the CTA tunnel of 2'-0". All braced excavation designs shall consider the age of the tunnel and the unknown condition of the tunnel. Installation methods shall minimize the risk of damage to the tunnel and conform to the requirements of the Construction Vibration Monitoring special provision.
5. All work adjacent to and over the CTA tunnel shall conform to requirements identified within the CTA Flagging And Coordination special provision.
6. See Utility Location Plans for test hole data provided by SUE contractor.
7. Quantity shown for Earth Excavation (Special) is approximate. Actual quantity shall be measured per Special Provision Earth Excavation (Special).



ELEVATION

BILL OF MATERIAL

Item	Unit	Total
Earth Excavation (Special)	Cu. Yd.	76

0161705-60W28-5010-SubStructure.dgn



USER NAME = floresg	DESIGNED - ATB	REVISED
	CHECKED - DD	REVISED
PLOT SCALE = N.T.S.	DRAWN - MRK	REVISED
PLOT DATE = 5/7/2014	CHECKED - ATB	REVISED

**STATE OF ILLINOIS
DEPARTMENT OF TRANSPORTATION**

**SUBSTRUCTURE DETAILS
STRUCTURE NO. 016-1705**

SHEET NO. S-10 OF S-165 SHEETS

F.A.I. RTE.	SECTION	COUNTY	TOTAL SHEETS	SHEET NO.
90/94/290	2013-010R	COOK	747	326
CONTRACT NO. 60W28			ILLINOIS FED. AID PROJECT	