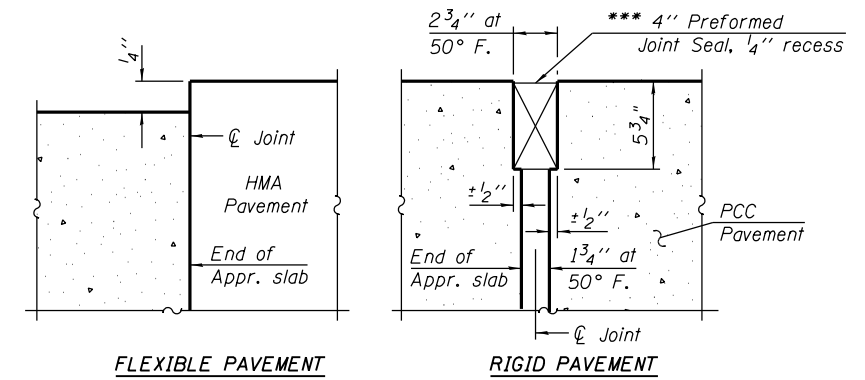




NOTES:

1. See sheet S-63 for Sections C-C & D-D.

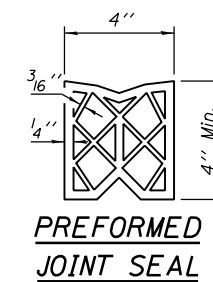
*** Cost included with Concrete Superstructure.



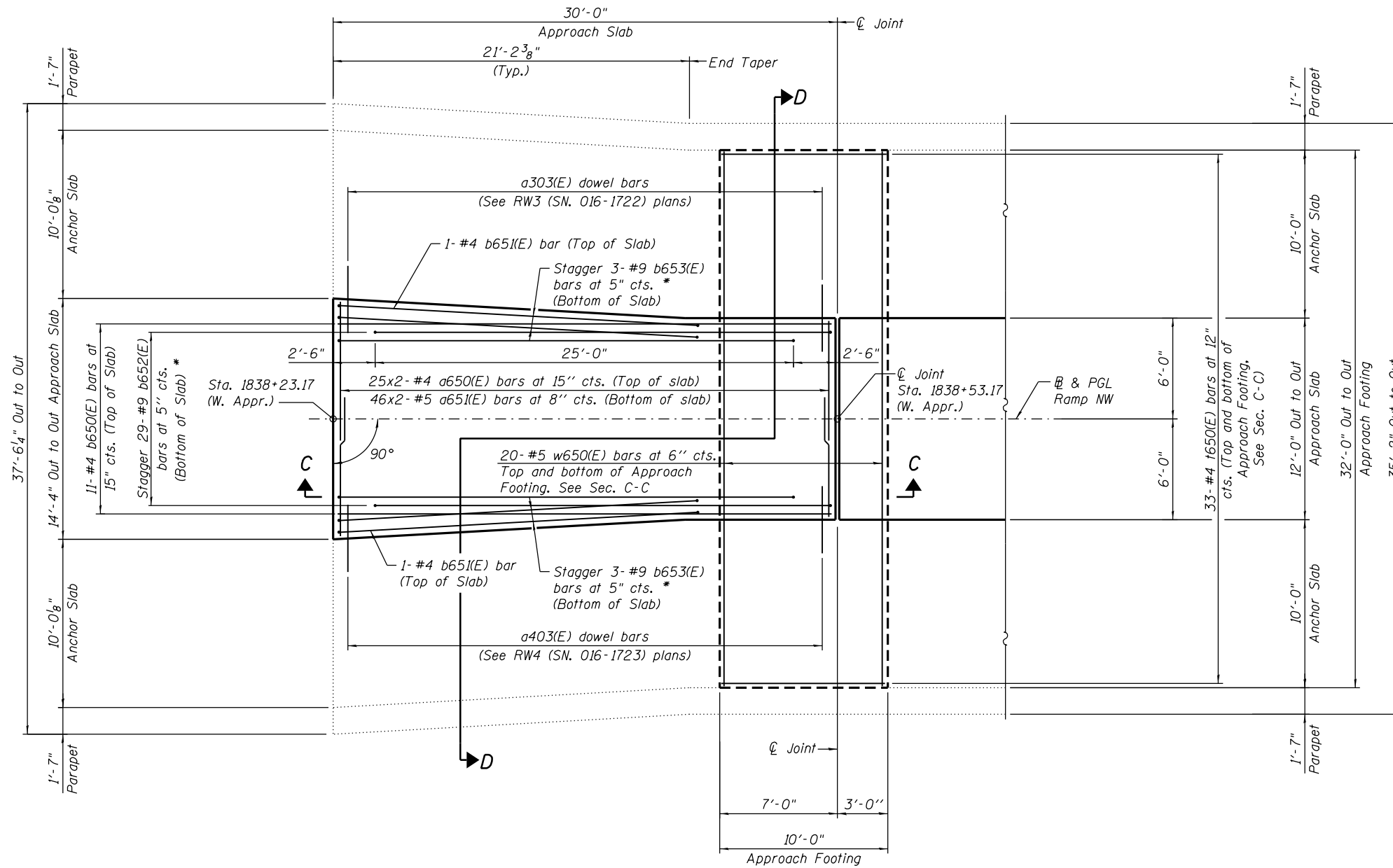
FLEXIBLE PAVEMENT

RIGID PAVEMENT

DETAIL A



PREFORMED JOINT SEAL



WEST APPROACH SLAB PLAN

* Tilt #9 b652(E) and b653(E) bars as required to maintain clearance.

MIN. BAR LAPS

#4 bar = 2'-7"
#5 bar = 3'-3"

0161705-60W28-5062-ApprSlab.dgn



USER NAME = floresg	DESIGNED - JRE	REVISED
PLOT SCALE = N.T.S.	CHECKED - JPH	REVISED
PLOT DATE = 5/7/2014	DRAWN - TNP	REVISED
	CHECKED - EJO	REVISED

**STATE OF ILLINOIS
DEPARTMENT OF TRANSPORTATION**

**WEST APPROACH SLAB PLAN
STRUCTURE NO. 016-1705**

SHEET NO. S-62 OF S-165 SHEETS

F.A.I. RTE. 90/94/290	SECTION 2013-010R	COUNTY COOK	TOTAL SHEETS 747	SHEET NO. 378
CONTRACT NO. 60W28			ILLINOIS FED. AID PROJECT	