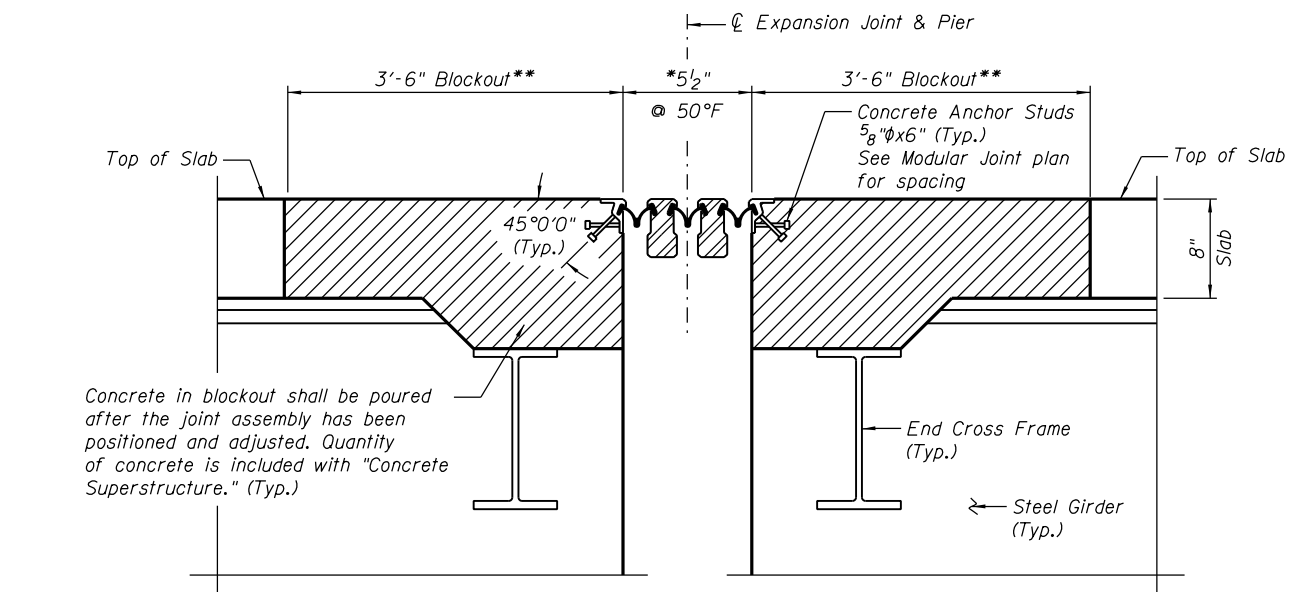
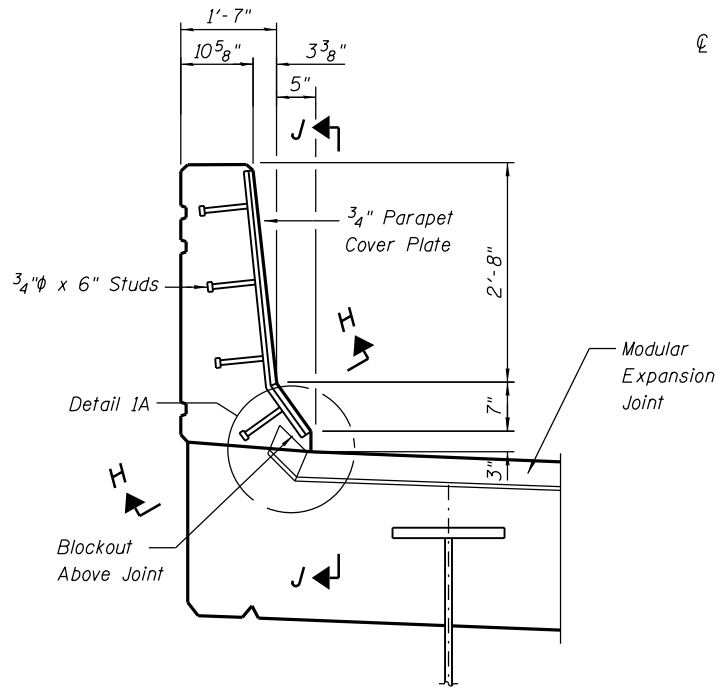


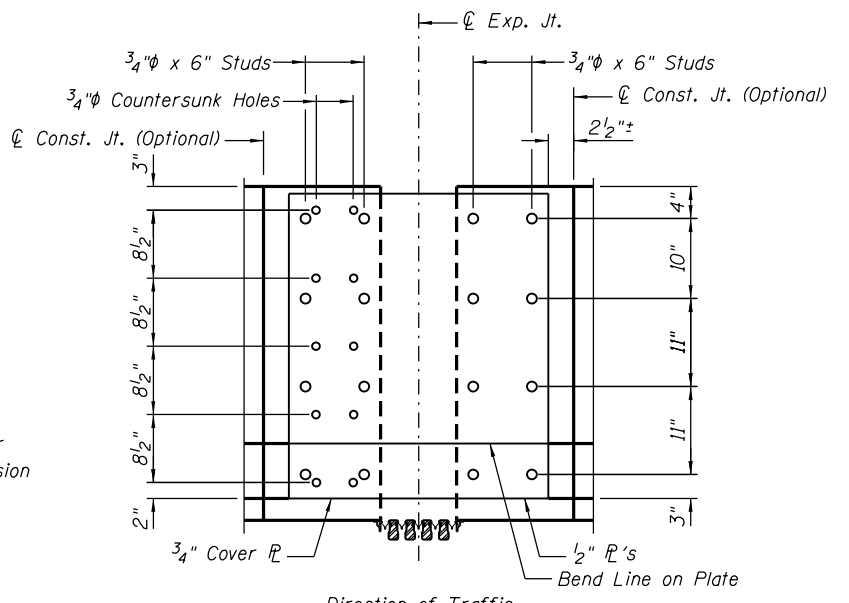
**SECTION B-B**



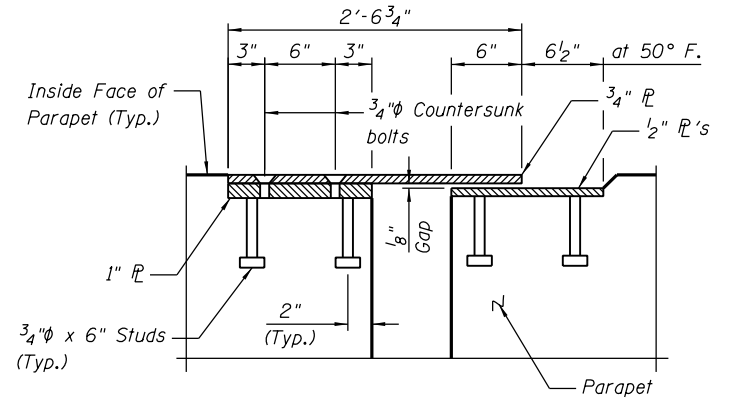
**SECTION C-C**



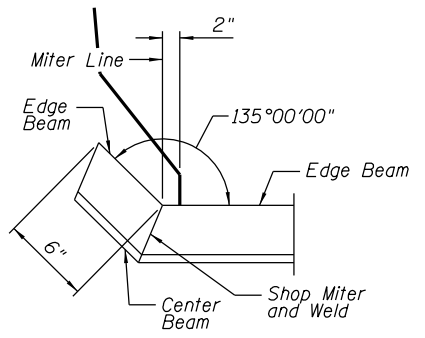
**DETAIL 1**



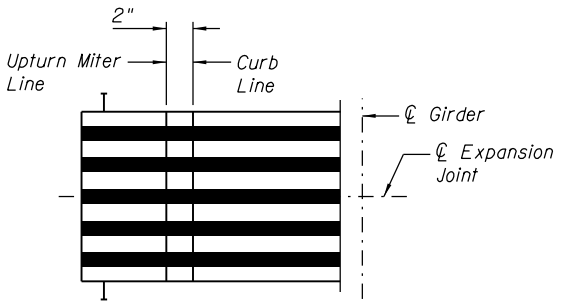
**SECTION J-J**



**SECTION H-H**



**DETAIL 1A**



**DETAIL 2**

\*Number of beams and seals determined by manufacturer  
 \*\* Blockout dimensions to be verified by Contractor with Joint Manufacturer.

0161705-60W28-5071-ExpJoint.dgn



USER NAME = floresg	DESIGNED - ABT	REVISED
	CHECKED - EJO	REVISED
PLOT SCALE = N.T.S.	DRAWN - MRK	REVISED
PLOT DATE = 5/7/2014	CHECKED - ABT	REVISED

**STATE OF ILLINOIS  
 DEPARTMENT OF TRANSPORTATION**

**MODULAR EXPANSION JOINT DETAILS  
 STRUCTURE NO. 016-1705**

SHEET NO. S-71 OF S-165 SHEETS

F.A.I. RTE.	SECTION	COUNTY	TOTAL SHEETS	SHEET NO.
90/94/290	2013-010R	COOK	747	387
CONTRACT NO.			60W28	
ILLINOIS FED. AID PROJECT				