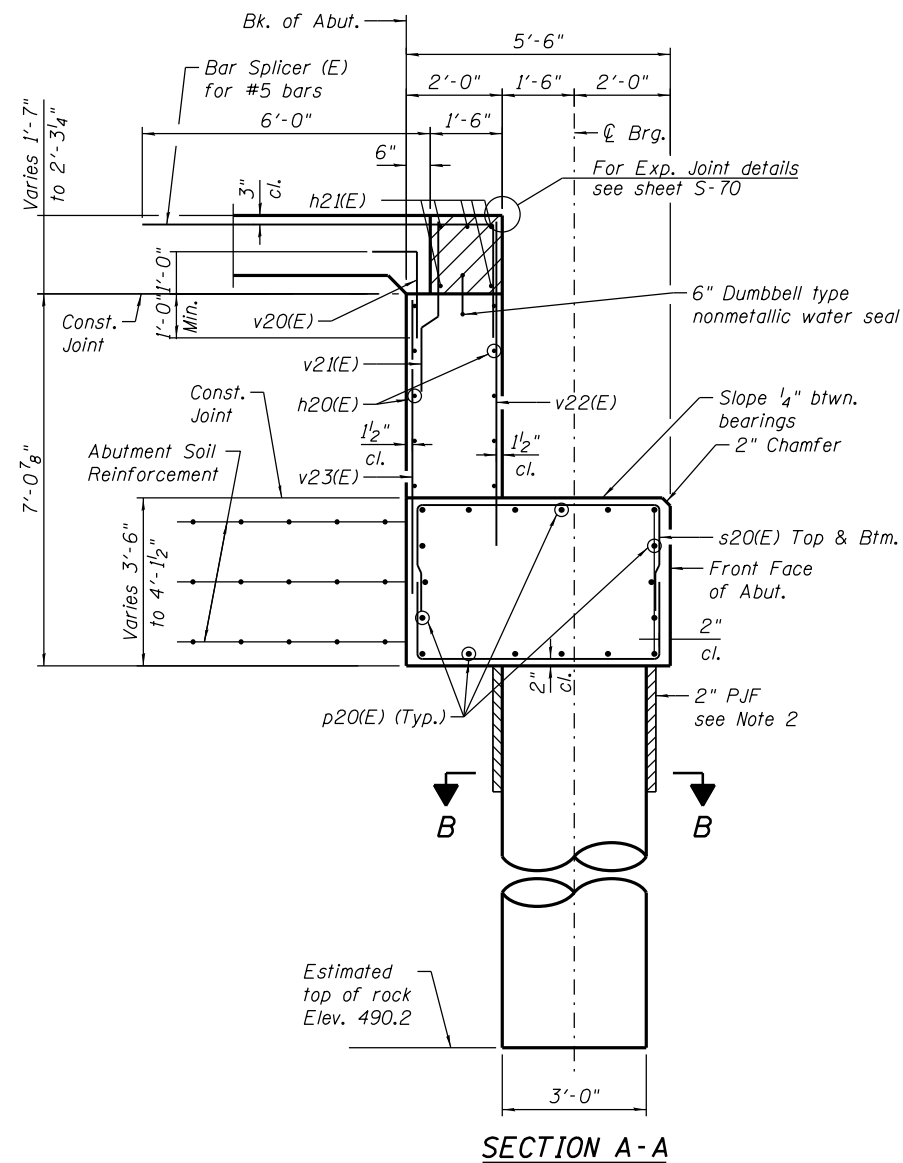
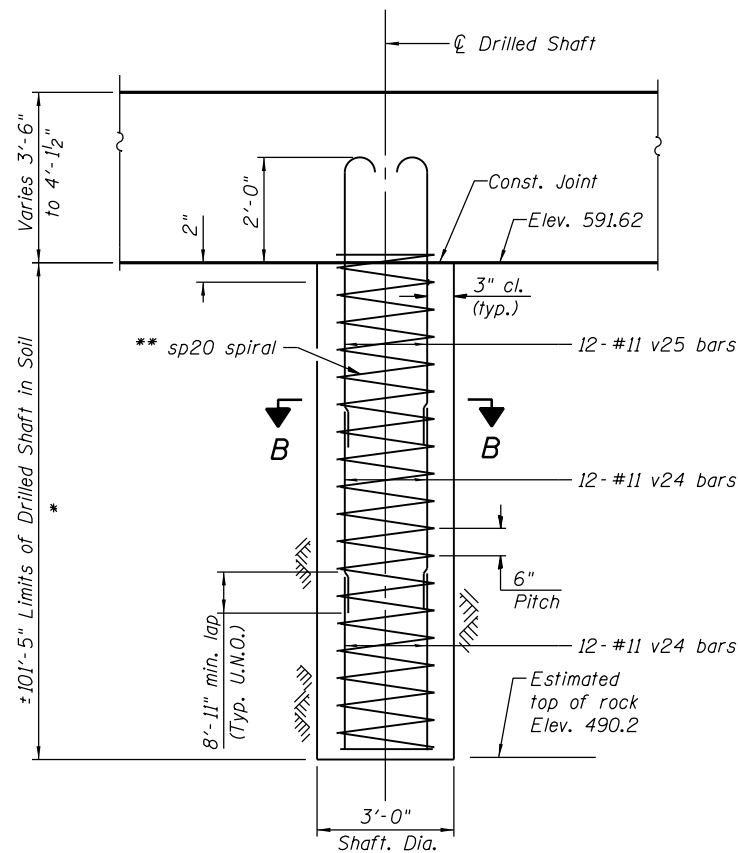


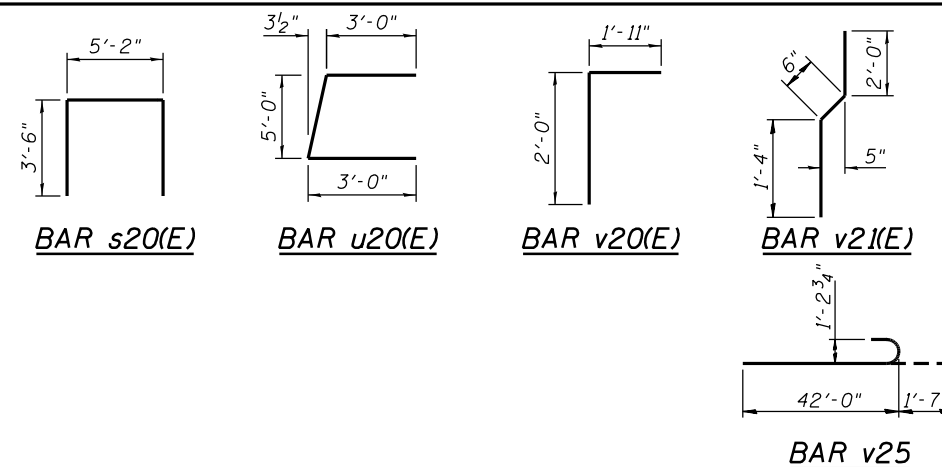
SECTION B-B



SECTION A-A



ABUTMENT SHAFT ELEVATION



* The quantities and detailing are based on the estimated elevations shown on the plans. The actual elevations may differ at each shaft and corresponding adjustments shall be made to the drilled shaft and reinforcement quantities and payment limits.

** Provide 1/2 extra turns top and bottom of each drilled shaft. Extend spiral 2" into the abutment cap. Provide 4- #4 spacers or equivalent.

WEST ABUTMENT
BILL OF MATERIAL

Bar	No.	Size	Length	Shape
h20(E)	10	#5	36'-4"	—
h21(E)	5	#6	37'-2"	—
p20(E)	18	#8	36'-11"	—
s20(E)	102	#5	12'-2"	U
sp20	6	#6	101'-7"	W
u20(E)	10	#6	11'-0"	U
v20(E)	38	#5	3'-11"	T
v21(E)	38	#5	3'-10"	W
v22(E)	38	#5	5'-8"	—
v23(E)	38	#5	4'-6"	—
v24	144	#11	40'-0"	—
v25	72	#11	43'-7"	—
Concrete Structures			Cu. Yd.	38.9
Reinforcement Bars			Pound	61,870
Reinforcement Bars, Epoxy Coated			Pound	4,610
Drilled Shaft In Soil			Cu. Yd.	159.2
Concrete Sealer			Sq. Ft.	449
Crosshole Sonic Logging			Each	1

*** Length is height of spiral

NOTES:

- When splicing spiral reinforcement is necessary, the spiral shall be provided with 1/2 extra turns at the ends to be spliced. These additional turns shall either be welded together according to AWS D1.4 or shall both terminate with a 135° standard hook.
- Install 2" P/JF from bottom of abutment to Elev. 571.78. Cost is included in Drilled Shaft In Soil.
- For details and quantity of Bar Splicers see sheet S-146.
- Drilled Shaft quantity from top of existing ground elev. to bottom of abutment cap elev. shall be included with Drilled Shaft In Soil.
- Cut s20(E) bars in the field to fit. Min. bar lap at field cut location shall not be less than 2'-11".

0161705-60W28-5115-WestAbutDetail.dgn



USER NAME = floresg	DESIGNED - RD	REVISED
PLOT SCALE = N.T.S.	CHECKED - ATB	REVISED
PLOT DATE = 5/7/2014	DRAWN - GF	REVISED
	CHECKED - ATB	REVISED

STATE OF ILLINOIS
DEPARTMENT OF TRANSPORTATION

WEST ABUTMENT DETAILS
STRUCTURE NO. 016-1705

SHEET NO. S-115 OF S-165 SHEETS

F.A.I. RTE.	SECTION	COUNTY	TOTAL SHEETS	SHEET NO.
90/94/290	2013-010R	COOK	747	431
CONTRACT NO.			60W28	
ILLINOIS FED. AID PROJECT				