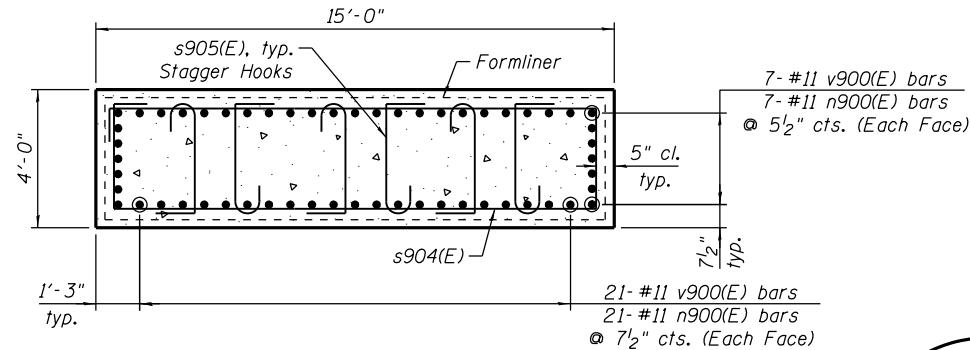
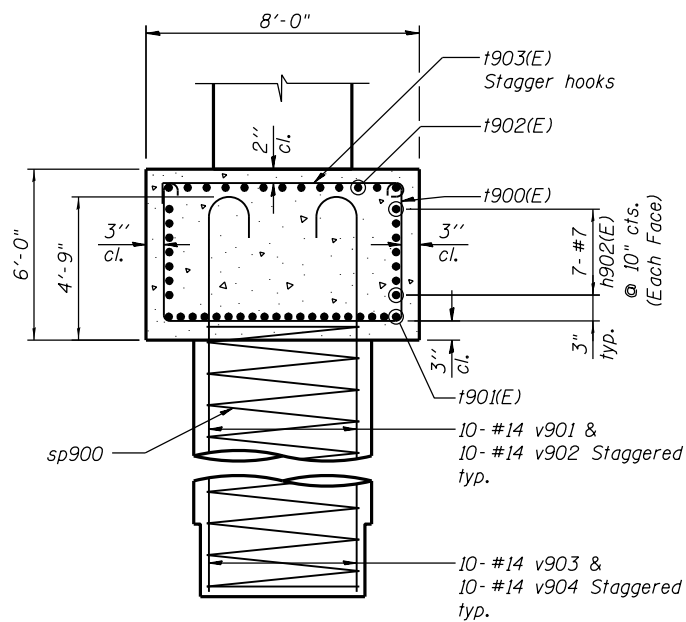


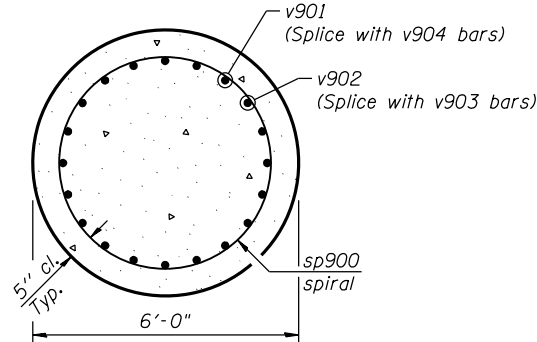
**SECTION A-A**



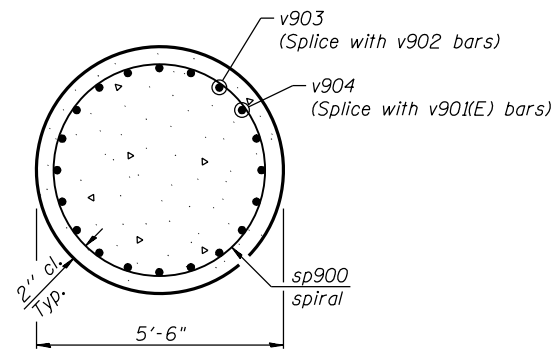
**SECTION B-B**



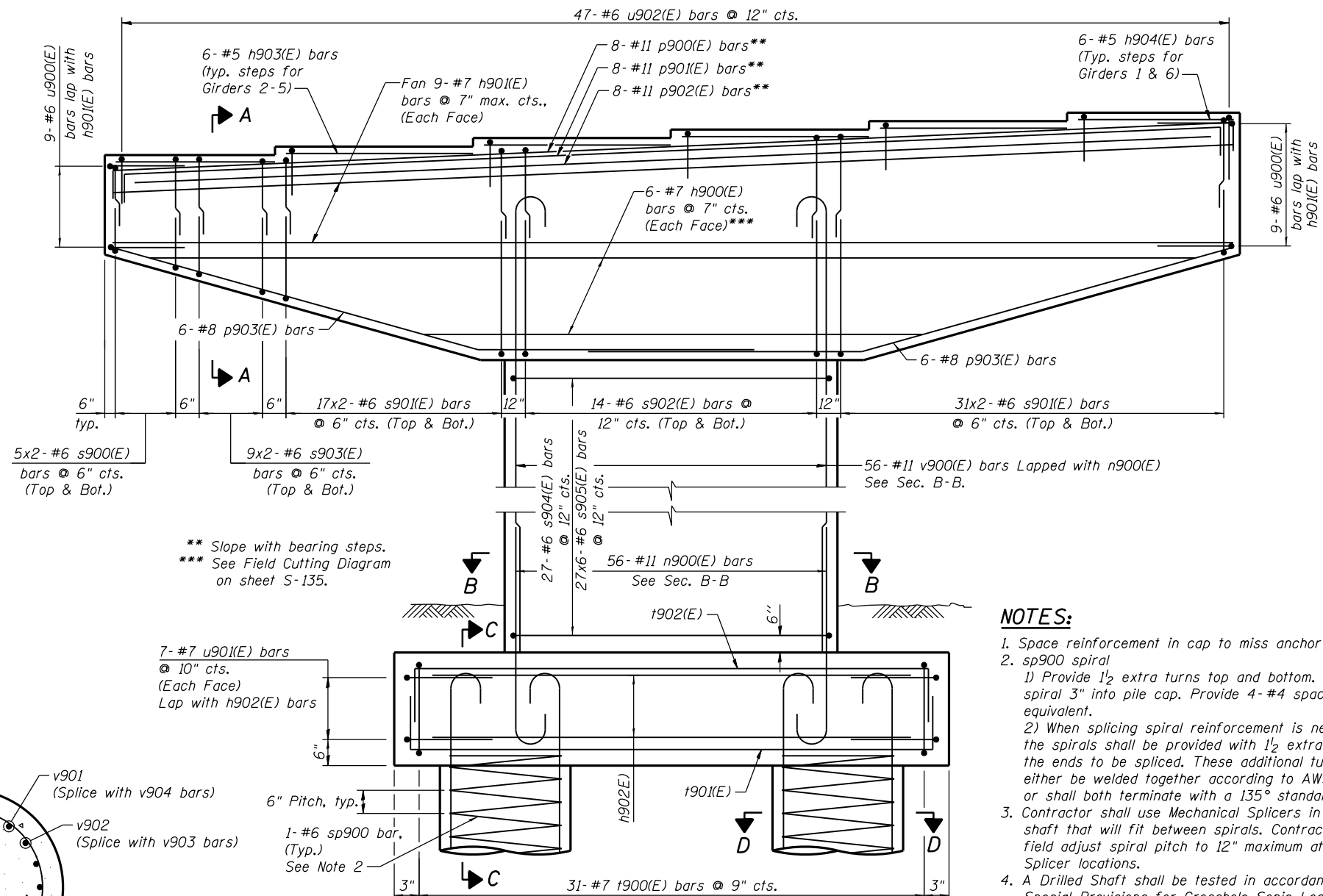
**SECTION C-C**



**SECTION D-D**



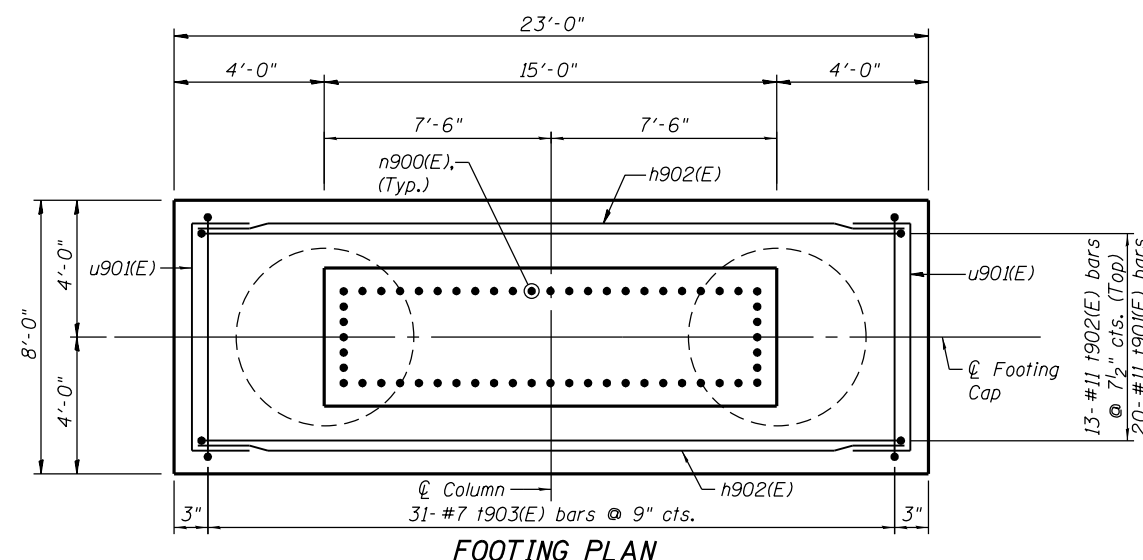
**SECTION E-E**



**ELEVATION**  
(Looking West)

\*\* Slope with bearing steps.  
\*\*\* See Field Cutting Diagram on sheet S-135.

- NOTES:**
- Space reinforcement in cap to miss anchor bolts.
  - sp900 spiral
    - Provide 1 1/2 extra turns top and bottom. Extend spiral 3" into pile cap. Provide 4- #4 spacers or equivalent.
    - When splicing spiral reinforcement is necessary, the spirals shall be provided with 1 1/2 extra turns at the ends to be spliced. These additional turns shall either be welded together according to AWS D1.4, or shall both terminate with a 135° standard hook.
  - Contractor shall use Mechanical Splicers in drilled shaft that will fit between spirals. Contractor shall field adjust spiral pitch to 12" maximum at Mechanical Splicer locations.
  - A Drilled Shaft shall be tested in accordance with Special Provisions for Crosshole Sonic Logging.



**FOOTING PLAN**

0161705-60W28-S136-Pier.dgn



|                      |               |         |
|----------------------|---------------|---------|
| USER NAME = floresg  | DESIGNED - RD | REVISED |
| PLOT SCALE = N.T.S.  | CHECKED - ATB | REVISED |
| PLOT DATE = 5/7/2014 | DRAWN - BM    | REVISED |
|                      | CHECKED - RD  | REVISED |

STATE OF ILLINOIS  
DEPARTMENT OF TRANSPORTATION

PIER 9 DETAILS  
STRUCTURE NO. 016-1705

SHEET NO. S-136 OF S-165 SHEETS

|                       |                   |             |                           |               |
|-----------------------|-------------------|-------------|---------------------------|---------------|
| F.A.I. RTE. 90/94/290 | SECTION 2013-010R | COUNTY COOK | TOTAL SHEETS 747          | SHEET NO. 451 |
| CONTRACT NO. 60W28    |                   |             | ILLINOIS FED. AID PROJECT |               |