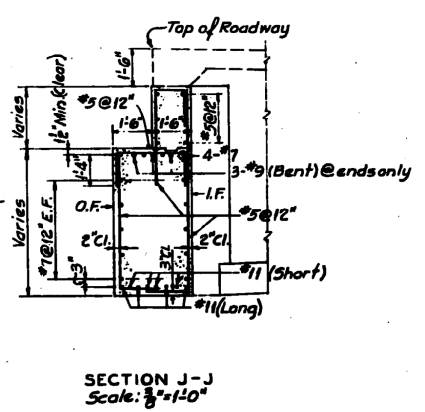
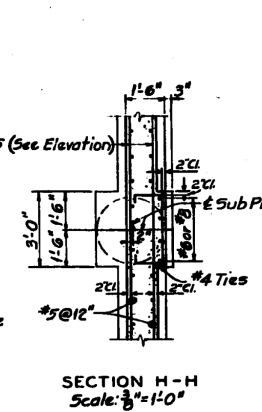
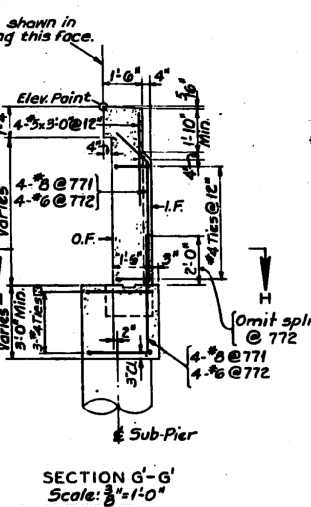
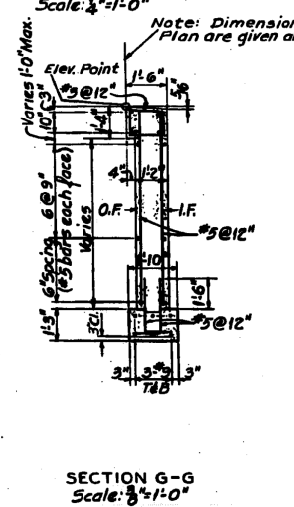
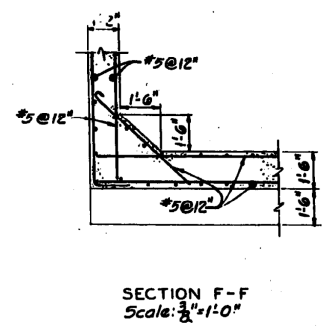
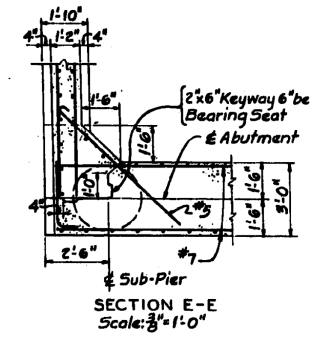
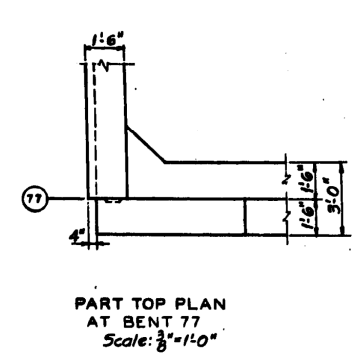
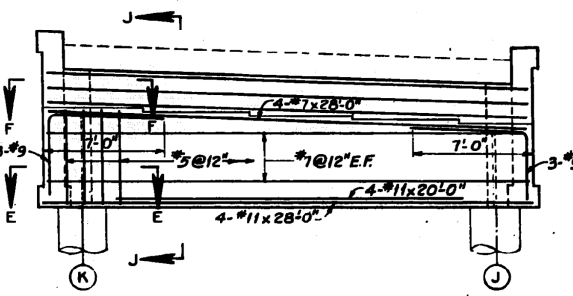
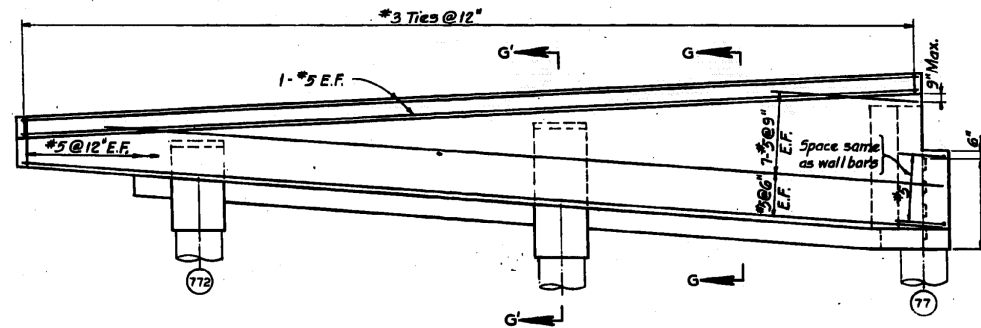
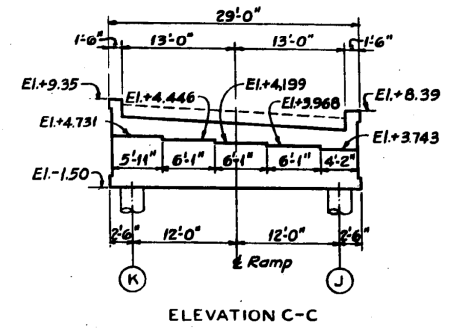
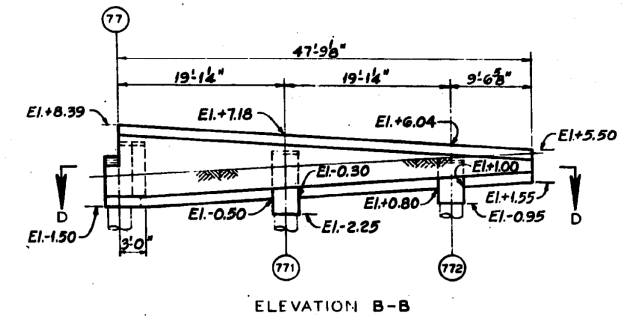
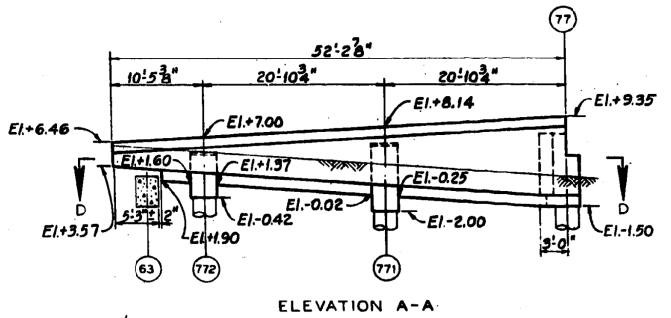
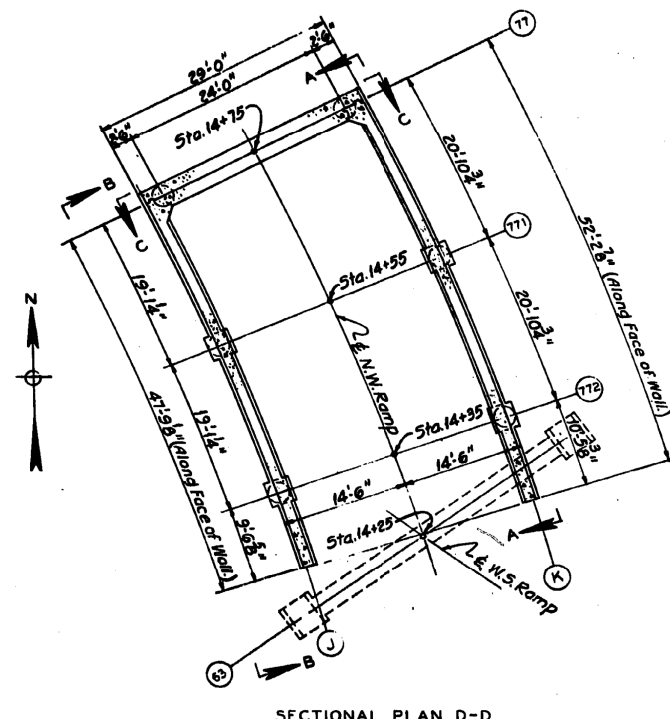


FOR INFORMATION ONLY

ROUTE NO.	SECTION	COUNTY	TOTAL SHEETS	SHEET NO.
F. A. I. 94-0101.6-1P	COOK	ILLINOIS	113	63
FED. ROAD DIST. NO. 4	ILLINOIS	PROJECT 1-94-3(1)-51		



IN CHARGE: *[Signature]*
 DESIGNED BY: *[Signature]*
 DRAWN BY: *[Signature]*
 CHECKED BY: *[Signature]*
 APPROVED BY: *[Signature]*

References:
 General Notes Sheet 5-1
 Foundation Plan Sheet 5-2
 Sub-Pier Schedule Sheet 5-4
 Location of Anchor Bolts in Abutment Sheet 5-13

CITY OF CHICAGO
 DEPARTMENT OF PUBLIC WORKS
 BUREAU OF ENGINEERING
 NORTHWEST ROUTE SUPERHIGHWAY
 HALSTED STREET INTERCHANGE
 SECTION 01016-1P
 ABUTMENT AND RETAINING WALLS
 BENT 77-N.W. RAMP
 SCALE: 1/8"=1'-0" EXCEPT AS NOTED
 SHEET NO. 5-B OF 113 SHEETS
 AUGUST 1999

FILE PATH = C:\Projects\11-0425 - 60W28 Structure\11-0425 - 60W28 Structure\11-0425 - 60W28-AS-BUILT-11.dgn



D160W28-sht-AS-BUILT-11.dgn
 USER NAME = auyeungh
 PLOT SCALE = 1.0000 / 1 in.
 PLOT DATE = 4/25/2014

DESIGNED -	REVISED -
DRAWN -	REVISED -
CHECKED -	REVISED -
DATE - 04/28/14	REVISED -

STATE OF ILLINOIS
 DEPARTMENT OF TRANSPORTATION

EXISTING AS-BUILTS
 SN 016-2449 & SN 016-2451

SCALE: NTS SHEET 11 OF 48 SHEETS STA. TO STA.

F.A.I. RTE.	SECTION	COUNTY	TOTAL SHEETS	SHEET NO.
90/94/290	2013-010R	COOK	747	481
				CONTRACT NO. 60W28
ILLINOIS FED. AID PROJECT				