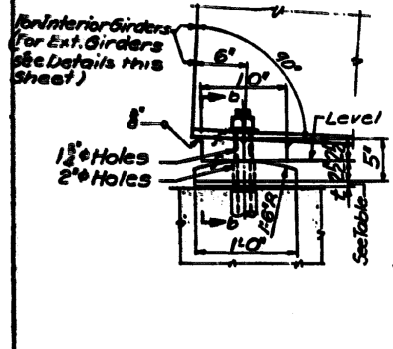


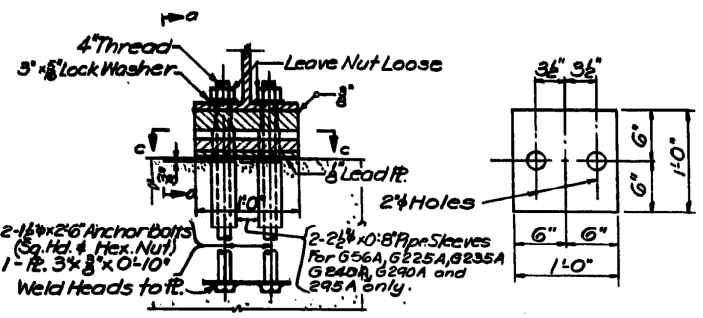
FOR INFORMATION ONLY

I.94 0101.6-1P 113 02
I-94-3(1)-51



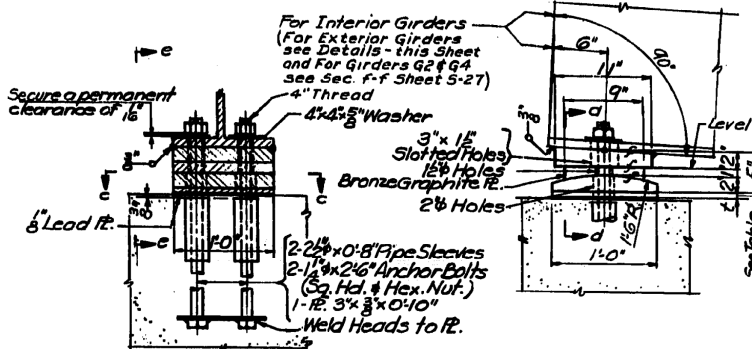
SECTION a-a

TYPICAL FIXED END
(216 REQUIRED)



SECTION b-b

SECTION c-c



SECTION d-d

TYPICAL EXPANSION END
(232 REQUIRED)

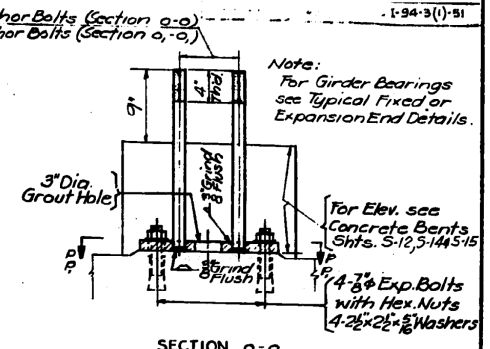
SECTION e-e

SCHEDULE OF SHIM THICKNESS "t"

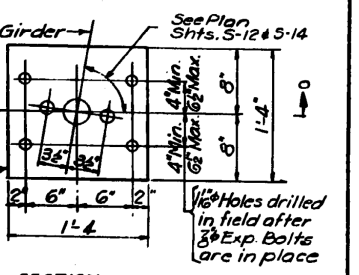
BENT NO.	GIRDER NUMBERS	"p"	"w"
E 7	G1A, G1, G2, G3, G4	2"	2"
E 7	G5	4"	1 1/2"
E 2	G6, G7, G8, G9	2"	2"
E 10	G201	2 1/2"	2 1/2"
E 10	G202, G203, G205A	2 1/2"	2 1/2"
E 10	G204	2 1/2"	2"
E 10	G205	4"	1 1/2"
E 16	G196, G197, G198, G199	2"	1"
E 16	G200	2"	2"
E 2	G10	4"	2 1/2"

SCHEDULE OF PLATE THICKNESS "P" & "W"

BENT NO.	GIRDER NUMBERS	"p"	"w"
E 7	G1A, G1, G2, G3, G4	2"	2"
E 7	G5	4"	1 1/2"
E 2	G6, G7, G8, G9	2"	2"
E 10	G201	2 1/2"	2 1/2"
E 10	G202, G203, G205A	2 1/2"	2 1/2"
E 10	G204	2 1/2"	2"
E 10	G205	4"	1 1/2"
E 16	G196, G197, G198, G199	2"	1"
E 16	G200	2"	2"
E 2	G10	4"	2 1/2"

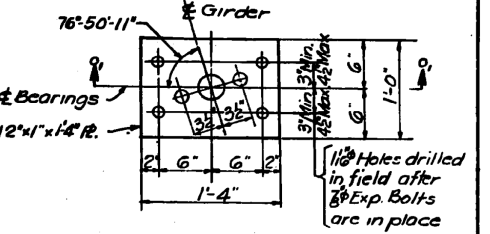


SECTION o-o



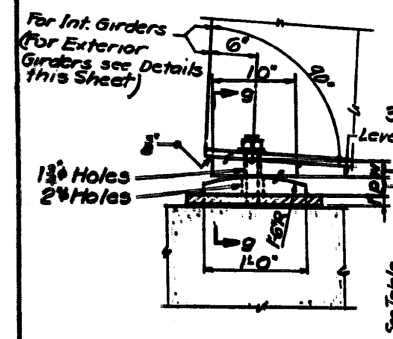
SECTION p-p

ANCHOR PLATE DETAIL
BENTS E8, E9 AND E17
(16 REQUIRED)



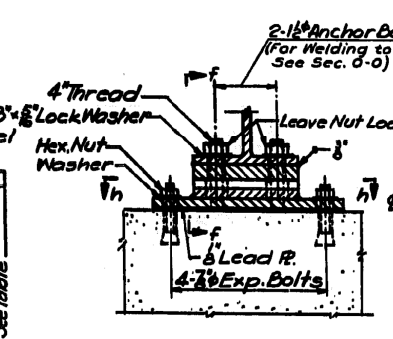
SECTION r-r

ANCHOR PLATE DETAIL
BENT E1
(5 REQUIRED)

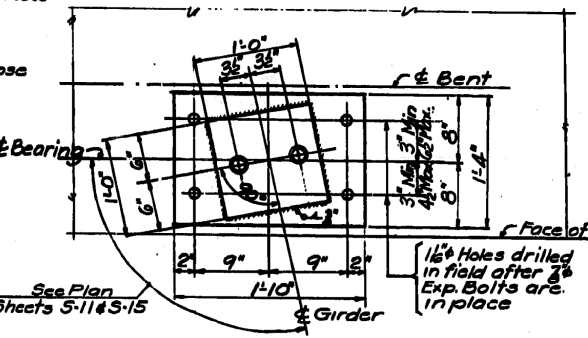


SECTION f-f

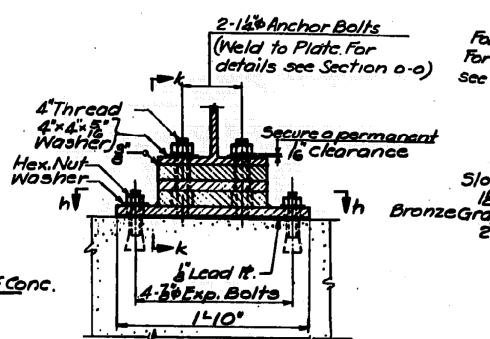
FIXED END
BENTS E2, E7 AND E10
(13 REQUIRED)



SECTION g-g

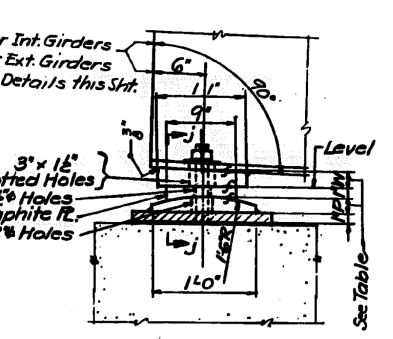


SECTION h-h

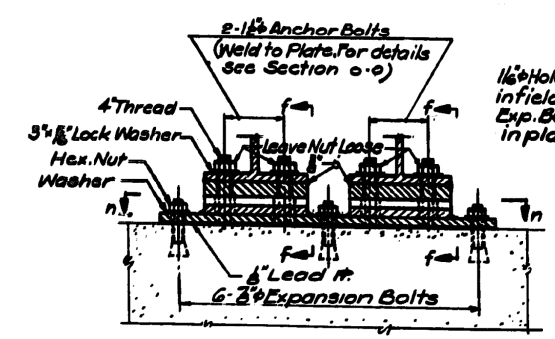


SECTION j-j

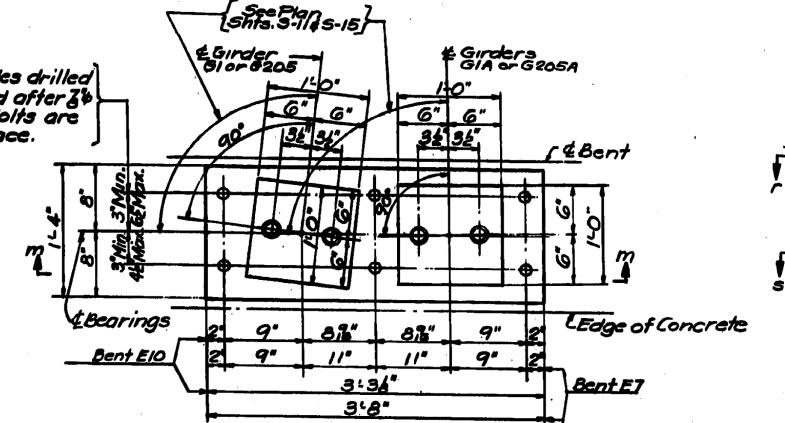
EXPANSION END
BENT E16
(5 REQUIRED)



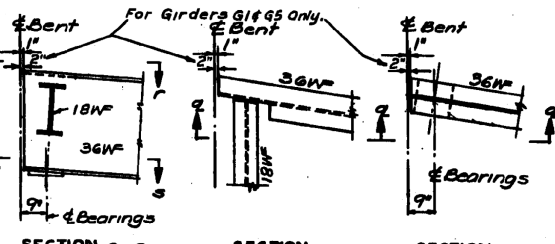
SECTION k-k



SECTION m-m



SECTION n-n
(2 REQUIRED)



SECTION q-q SECTION r-r SECTION s-s
DETAILS OF EXTERIOR GIRDER ENDS
Size 1/2" x 1/2"

Note: For Girder Bearings see Typical Fixed or Expansion End Details.

- References:
- General Notes
 - Structural Steel Details
 - Structural Steel Framing Plans
 - Structural Steel Expansion Guards
 - Location and Projection of Anchor Bolts
 - Sheet S-1
 - Sheet S-24
 - Sheets S18a-S23
 - Sheets S26a-S28
 - Sheets S11a-S16

CITY OF CHICAGO
DEPARTMENT OF PUBLIC WORKS
BUREAU OF ENGINEERING
NORTHWEST ROUTE SUPERHIGHWAY
HALSTED STREET INTERCHANGE
SECTION 0101.6-1P
STRUCTURAL STEEL
GIRDER BEARINGS

SCALE: 1/2" = 1'-0" EXCEPT AS NOTED
AUGUST 1989
SHEET NO. 5-25 OF 119 SHEETS

IN CHARGE: [Signature]
DESIGNED BY: [Signature]
DRAWN BY: [Signature]
CHECKED BY: [Signature]
APPROVED BY: [Signature]

FILE PATH = C:\Projects\14-0425 - 60W28-StructBulbs\14-0425-60W28-StructBulbs\AS-BUILT-30.dgn



D160W28-sht-AS-BUILT-30.dgn
USER NAME = ayeuengh
PLOT SCALE = 1.0000 / in.
PLOT DATE = 4/25/2014

DESIGNED -
DRAWN -
CHECKED -
DATE - 04/28/14

STATE OF ILLINOIS
DEPARTMENT OF TRANSPORTATION

EXISTING AS-BUILTS
SN 016-2449 & SN 016-2451
SCALE: NTS SHEET 30 OF 48 SHEETS STA. TO STA.

F.A.I. R.T.E.	SECTION	COUNTY	TOTAL SHEETS	SHEET NO.
90/94/290	2013-010R	COOK	747	500
CONTRACT NO. 60W28			ILLINOIS FED. AID PROJECT	