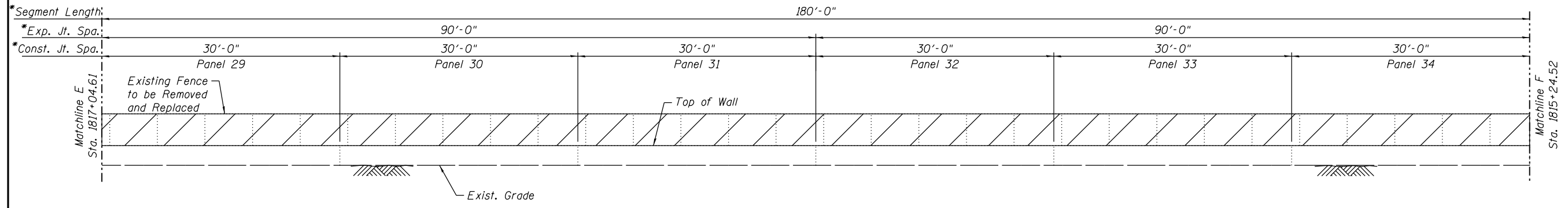
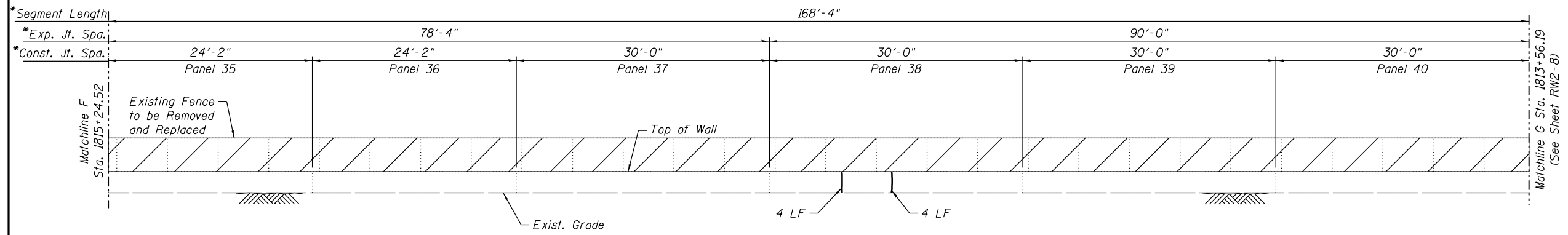


REFLECTED ELEVATION (STATION 1818+85.66 TO 1817+04.61)
(Looking West)

⊕ Sign Truss to be removed
see Civil Plans.
Sta. 1818+31.13



REFLECTED ELEVATION (STATION 1817+04.61 TO 1815+24.52)
(Looking West)



REFLECTED ELEVATION (STATION 1815+24.52 TO 1813+56.19)
(Looking West)

- * Measured along Front Face of Wall
- ** Omit New Fence between Sta. 1818+45.67 to Sta. 1820+36.40

NOTES:
1. Foundations not shown for clarity.

- LEGEND**
- Area of Structural repair of Concrete (Depth equal to or less than 5 in.)
 - Epoxy Crack Injection
 - Fence Removal

016Z024-60W28-RW2-7.dgn



| | | |
|-----------------------|----------------|---------|
| USER NAME = kritzm | DESIGNED - ATB | REVISED |
| | CHECKED - EJO | REVISED |
| PLOT SCALE = N.T.S. | DRAWN - MRK | REVISED |
| PLOT DATE = 4/28/2014 | CHECKED - ATB | REVISED |

**STATE OF ILLINOIS
DEPARTMENT OF TRANSPORTATION**

**BACK OF WALL ELEVATIONS - II
STRUCTURE NO. 016-2024**

SHEET NO. RW2-07 OF RW2-09 SHEETS

| | | | | |
|-----------------------|-------------------|-------------|---------------------------|---------------|
| F.A.I. RTE. 90/94/290 | SECTION 2013-010R | COUNTY COOK | TOTAL SHEETS 747 | SHEET NO. 539 |
| CONTRACT NO. 60W28 | | | ILLINOIS FED. AID PROJECT | |