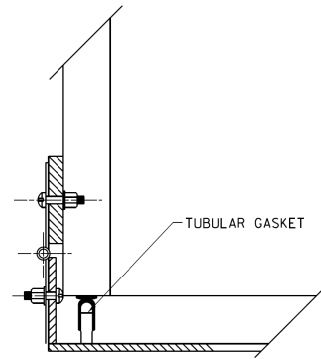
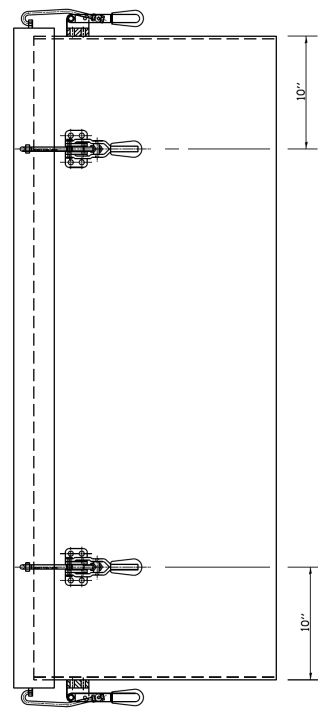


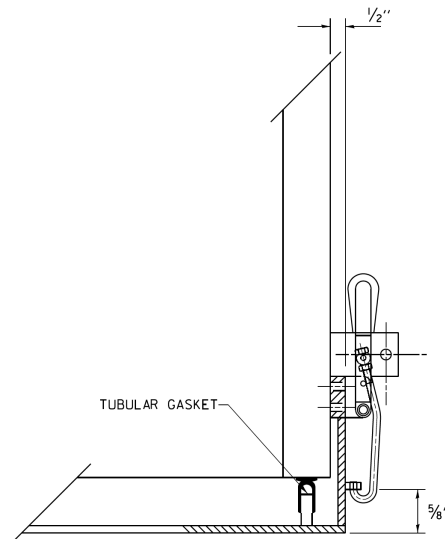
TOP VIEW



HINGE DETAIL

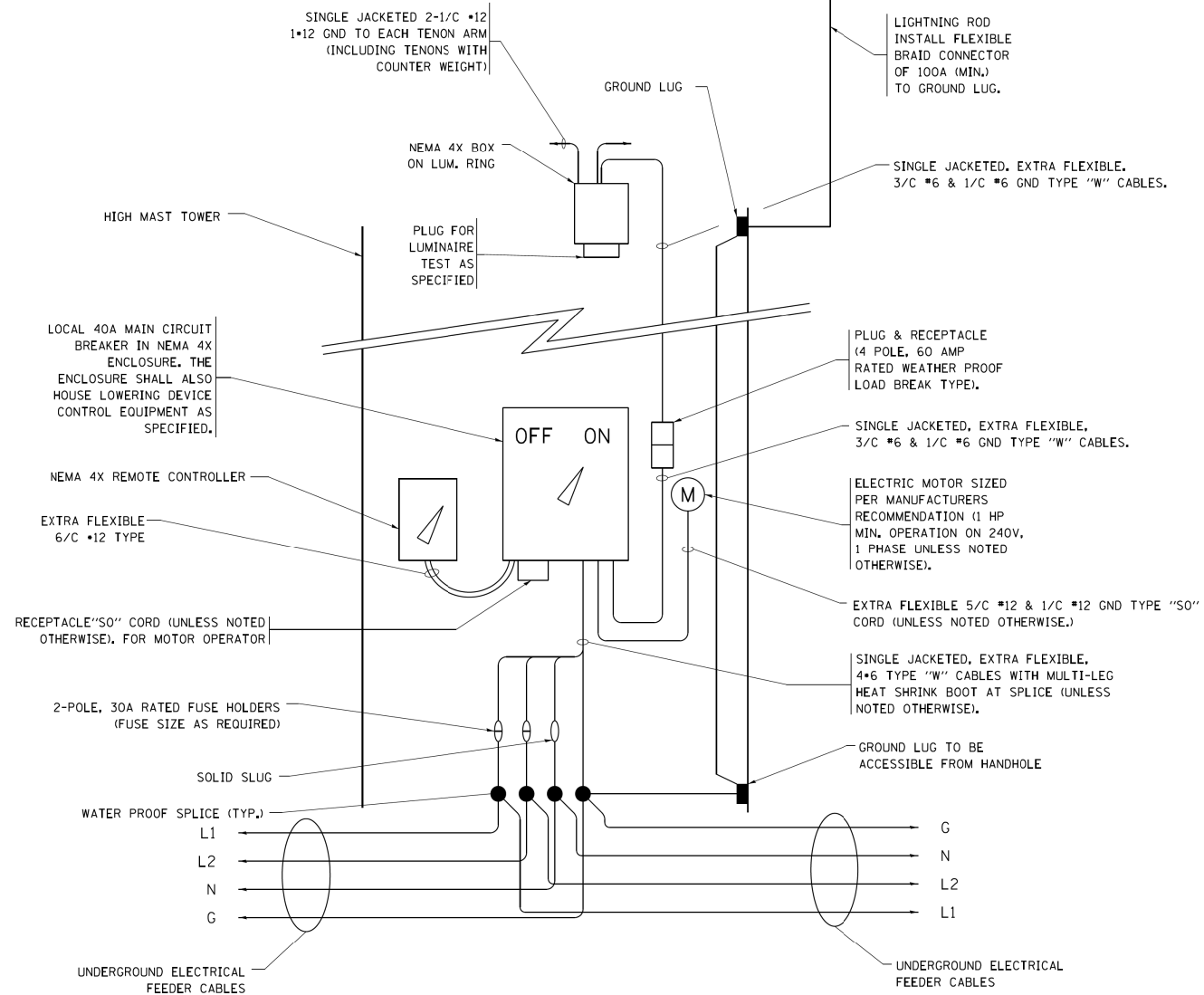


SIDE VIEW

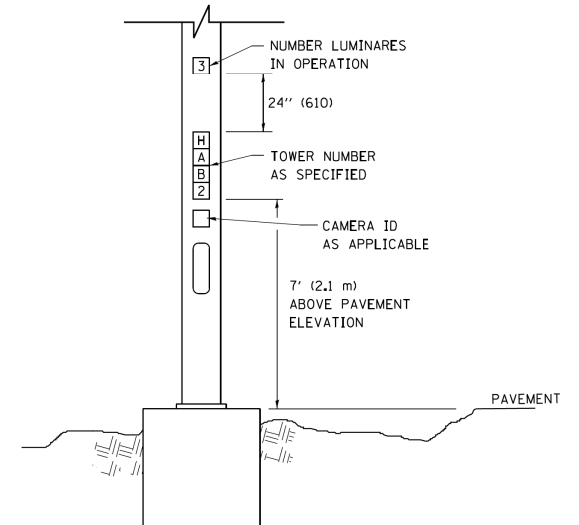


LATCH DETAIL

HANDHOLE DOOR DETAILS



HIGH MAST POLE WIRING DIAGRAM



LIGHT TOWER NUMBERING DETAIL

FILE PATH = C:\Project\state\14-0323 - W28 Final PDFs\0160W28-SHT-D1-Detail-BE-510C1.dgn



D160W28-SHT-D1-Detail-BE-510C1.dgn
 USER NAME = auyeungh
 PLOT SCALE = 50.0000' / in.
 PLOT DATE = 3/24/2014

DESIGNED -
 DRAWN -
 CHECKED -
 DATE -

REVISED - 09-02-10
 REVISED - 02-27-13
 REVISED -
 REVISED -

STATE OF ILLINOIS
 DEPARTMENT OF TRANSPORTATION

HIGH MAST LIGHT TOWER
 150 FT TO 160 FT (46 m TO 49 m)

SCALE: SHEET 15 OF 40 SHEETS STA. TO STA.

F.A.I. RTE.	SECTION	COUNTY	TOTAL SHEETS	SHEET NO.
90/94/290	2013-010R	COOK	747	599
BE-510c			CONTRACT NO. 60W28	
ILLINOIS FED. AID PROJECT				