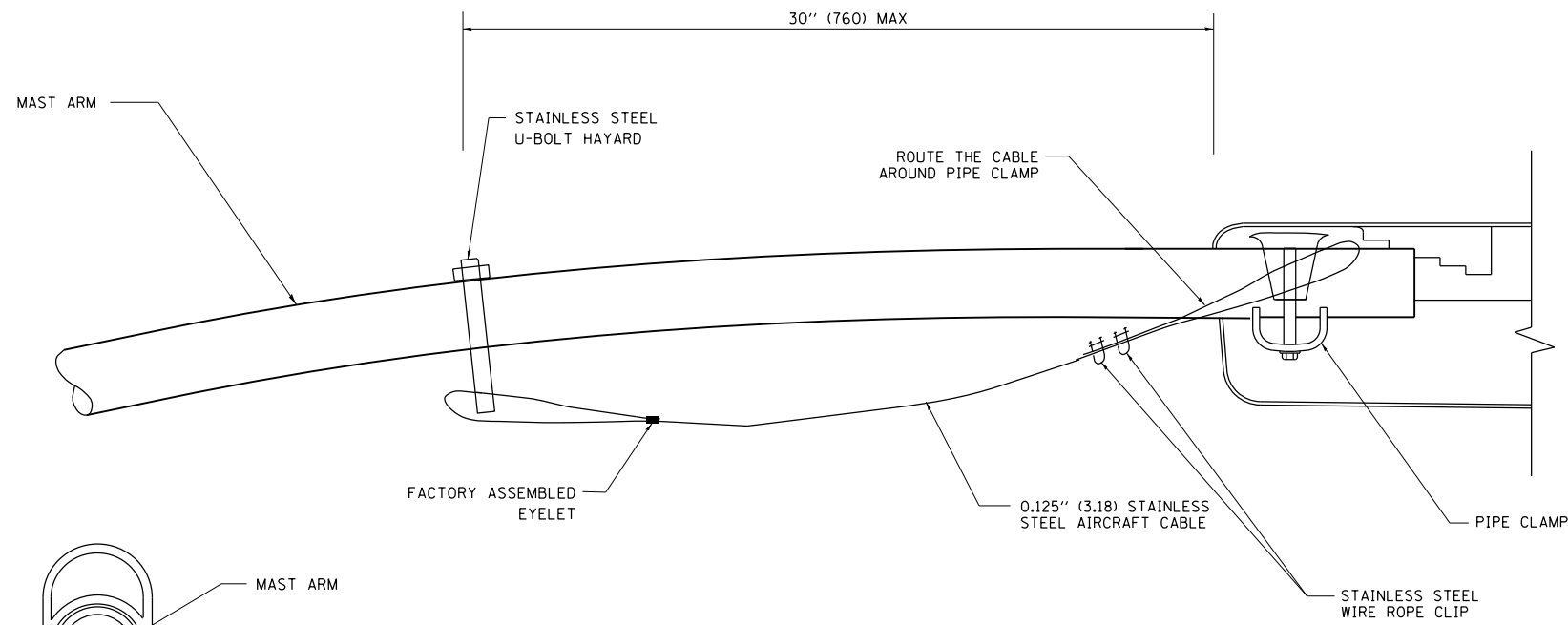
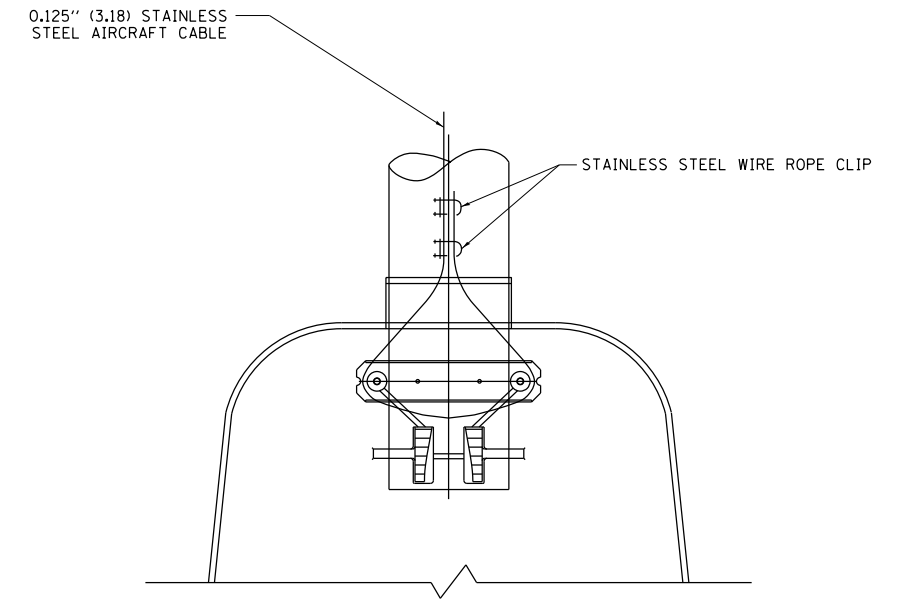
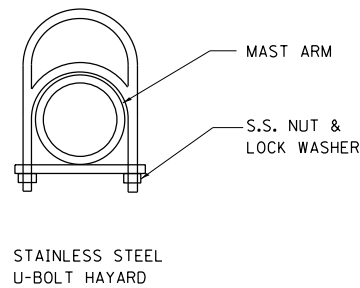


SIDE VIEW (TRUSS ARM)
N.T.S.



SIDE VIEW (SINGLE MEMBER OR DAVIT ARM)
N.T.S.



BOTTOM VIEW
N.T.S.

NOTES:

1. ALL DIMENSIONS ARE IN MILLIMETERS (INCHES) UNLESS OTHERWISE SHOWN.
2. CONTRACTOR SHALL ADJUST THE WIRE CLIP TO ELIMINATE ANY SLACK FROM THE WIRE ROPE.
3. THE 0.125" (3.18) STAINLESS STEEL AIRCRAFT CABLE SHALL REMAIN VISIBLE FROM THE GROUND LEVEL.
4. THE BREAKING STRENGTH OF THE CABLE SHALL BE 1700 LBS. MIN.

| | | | |
|---|----------------------------|------------|--------------------|
| FILE NAME = C:\Projectwise\14-0323 - W28 Final PDFs\160W28-SHT-D1-Detail-(BE-701).dgn | USER NAME = ougeungh | DESIGNED - | REVISED - 08-08-03 |
| | | DRAWN - | REVISED - |
| | PLOT SCALE = 50.000' / in. | CHECKED - | REVISED - |
| | PLOT DATE = 3/24/2014 | DATE - | REVISED - |

**STATE OF ILLINOIS
DEPARTMENT OF TRANSPORTATION**

LUMINAIRE SAFETY CABLE ASSEMBLY

SHEET NO. 18 OF 40 SHEETS STA. TO STA.

| F.A.I. RTE. | SECTION | COUNTY | TOTAL SHEETS | SHEET NO. |
|---|-----------|--------|---------------------------|-----------|
| | 2013-010R | COOK | 747 | 602 |
| BE-701 | | | CONTRACT NO. 60W28 | |
| FED. ROAD DIST. NO. 1 ILLINOIS FED. AID PROJECT | | | | |