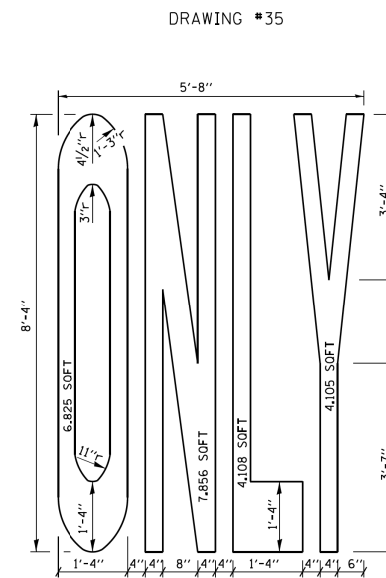
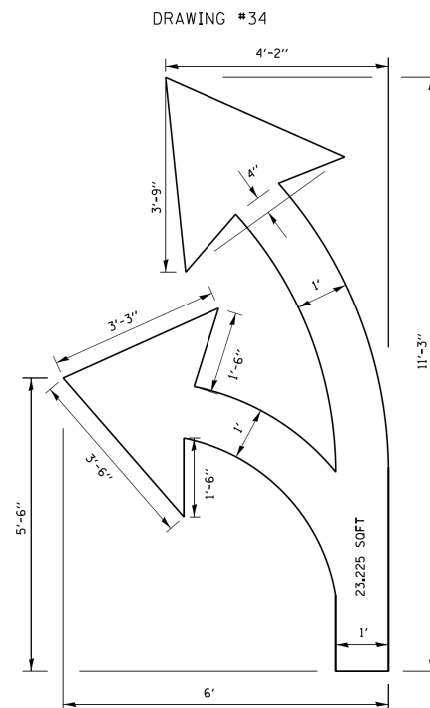
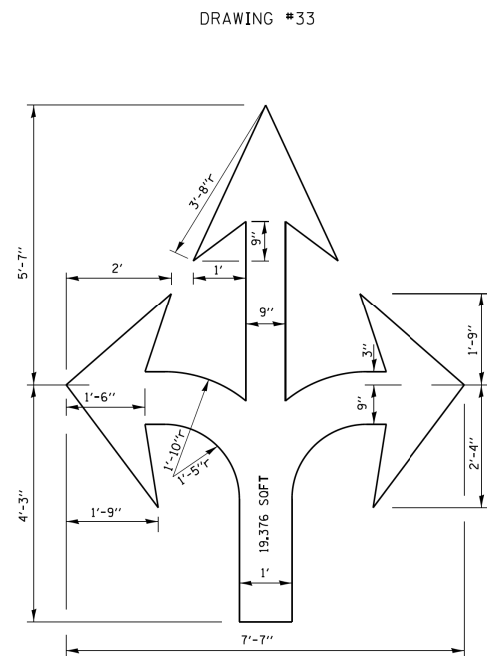
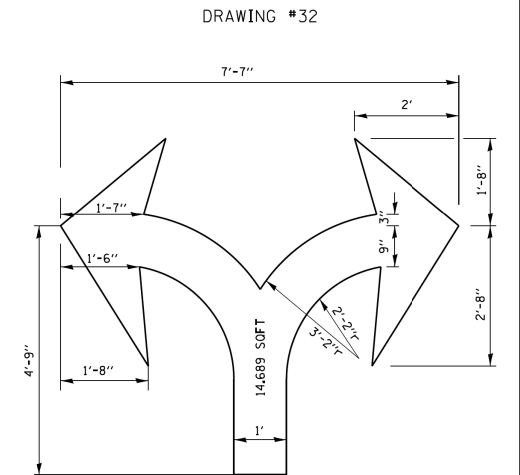
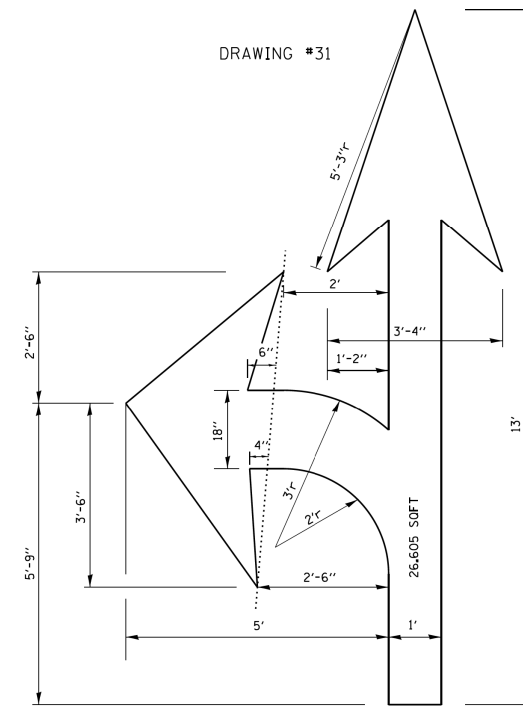
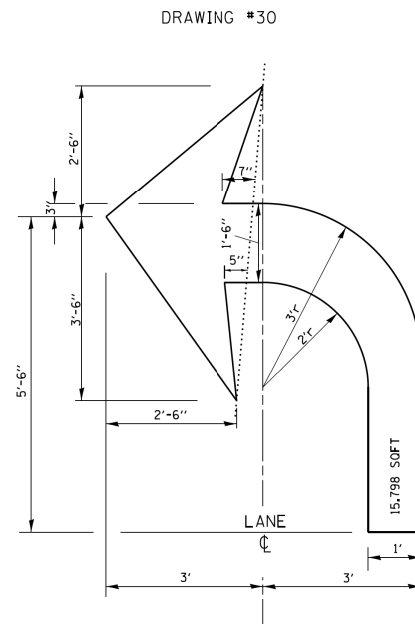
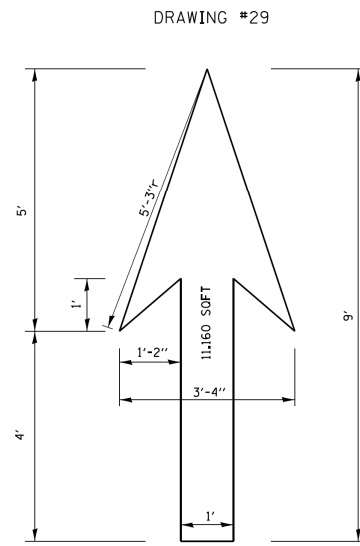


**NOTE:**

- 1.) FOR BIKE LANE SYMBOLS ONLY, USE PRE-FORMED THERMOPLASTIC WITH A MINIMUM THICKNESS OF 90 MILS, MINIMUM SKID RESISTANCE VALUE OF 60 BPN, & A MINIMUM INDEX OF REFRACTION OF 1.50.
- 2.) THE RESIDENT ENGINEER SHALL CONTACT MR. BEN GOMBERG AT 312-744-8093 AT LEAST ONE CALENDAR WEEK PRIOR TO INSTALLING BIKE LANE SYMBOLS.

TYPICAL BIKE LANE SYMBOLS  
DRAWING #28



**NOTE:**

ALL MARKINGS SHALL BE SOLID WHITE UNLESS OTHERWISE NOTED IN THE PLANS

FILE PATH = C:\Project\14-0323 - W28 Final PDFs\0160W28-SHT-D1-Detail-TC-24b.dgn



D160W28-SHT-D1-Detail-TC-24b.dgn  
USER NAME = ayeuengh  
PLOT SCALE = 50.000' / in.  
PLOT DATE = 3/24/2014

DESIGNED - T. R. 12-07-00  
DRAWN - K. ENG 02-28-12  
CHECKED -  
DATE -

STATE OF ILLINOIS  
DEPARTMENT OF TRANSPORTATION

CITY OF CHICAGO  
TYPICAL PAVEMENT MARKINGS  
SCALE: SHEET 36 OF 40 SHEETS STA. TO STA.

F.A.I. RTE.	SECTION	COUNTY	TOTAL SHEETS	SHEET NO.
90/94/290	2013-010R	COOK	747	617C
TC-24			CONTRACT NO. 60W28	
FED. ROAD DIST. NO. 1 ILLINOIS FED. AID PROJECT				