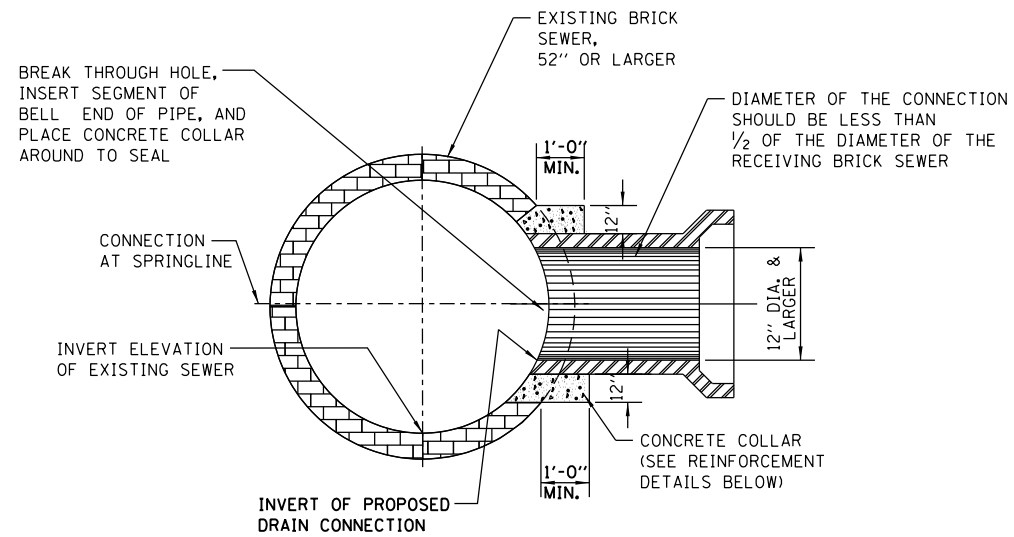
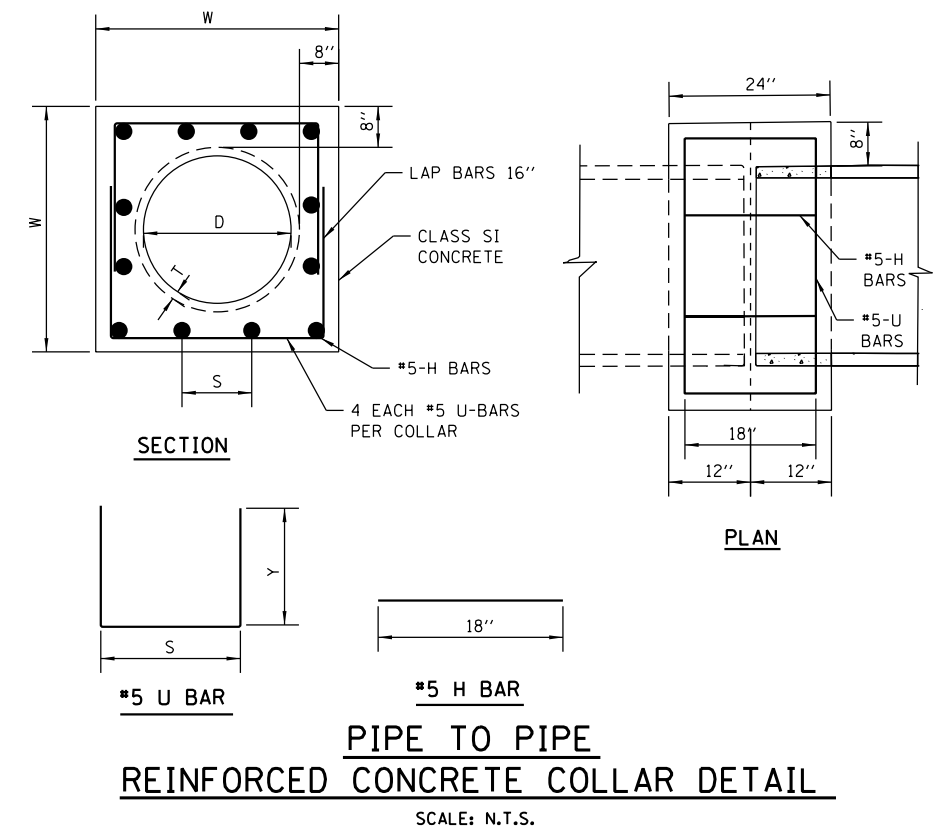


EXAMPLE TYPICAL CONNECTION DETAIL
(NOT TO SCALE)

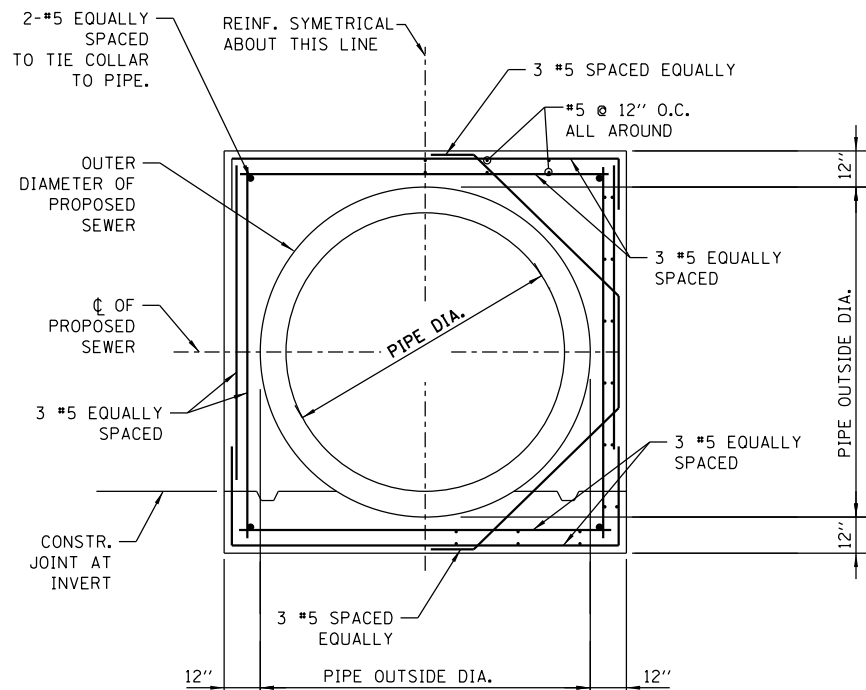


EXAMPLE TYPICAL BRICK SEWER CONNECTION FOR CONNECTING PIPE SIZES GREATER THAN 12\"/>



CONCRETE COLLAR NOTES:

1. ALL ITEMS AND MATERIALS SHALL CONFORM TO THE LATEST IDOT SSRBC SPECIFICATIONS, UNLESS OTHERWISE NOTED IN SUPPLEMENTAL SPECIFICATIONS FOR THE SPECIFIC PROJECT BEING CONSTRUCTED.
2. ALL CONCRETE SHALL CONFORM TO IDOT SSRBC ARTICLE 1020.04, CLASS SI, WITH A COMPRESSIVE STRENGTH OF 3500 PSI.
3. ALL EPOXY COATED REINFORCEMENT BARS SHALL CONFORM TO IDOT SSRBC SECTION 50B, AND ARTICLE 1006.10.
4. UNLESS OTHERWISE SHOWN, THE COVER FOR REINFORCING STEEL SHALL BE AS FOLLOWS: A.) CONCRETE CAST AGAINST PERMANENTLY EXPOSE EARTH: 3\"/>



EXAMPLE CONCRETE COLLAR REINFORCEMENT - SECTION
(NOT TO SCALE)

D RCP DIA. (IN)	T PIPE THICKNESS (IN)	W WIDTH (IN)	U BAR				H BAR				Class SI Concrete (CU YD)	#5 Epoxy Rebar (LBS)
			x (IN)	y (IN)	QTY (EACH)	LENGTH (FT)	S (IN)	QTY (EACH)	LENGTH (FT)	TOTAL		
12*	2.00	32.0	26.00	21.00	4	22.7	8 1/8	12.0	18.0	0.42	42.5	
15*	2.25	35.5	29.50	22.75	4	25.0	9 3/8	12.0	18.0	0.49	44.8	
18*	2.50	39.0	33.00	24.50	4	27.3	10 1/2	12.0	18.0	0.57	47.2	
21*	2.75	42.5	36.50	26.25	4	29.7	8 3/4	16.0	24.0	0.65	56.0	
24	3.00	46.0	40.00	28.00	4	32.0	9 5/8	16.0	24.0	0.72	58.4	
27	3.25	49.5	43.50	29.75	4	34.3	10 1/2	16.0	24.0	0.81	60.8	
30	3.50	53.0	47.00	31.50	4	36.7	11 3/8	16.0	24.0	0.89	63.3	
33	3.75	56.5	50.50	33.25	4	39.0	9 4/5	20.0	30.0	0.98	72.0	
36	4.00	60.0	54.00	35.00	4	41.3	10 1/2	20.0	30.0	1.07	74.4	
42	4.50	67.0	61.00	38.50	4	46.0	9 7/8	24.0	36.0	1.26	85.5	
48	5.00	74.0	68.00	42.00	4	50.7	11 1/8	24.0	36.0	1.46	90.4	

*Note: Option to use without Rebar

STANDARD REVISIONS	
DATE	DESCRIPTION
1/22/14	APPROVED PLAN

PERCENT COMPLETE	DATE
30	
60	
75	
90	
100	
BULLETIN	

CITY OF CHICAGO DEPARTMENT OF WATER MANAGEMENT BUREAU OF ENGINEERING SERVICES	
CONCRETE COLLAR / CONNECTION DETAILS	

DESIGNED	SBP
CHECKED	NO.
REVIEWED	
	A.14



D160W28-sht-CDWM-Detail-06.dgn
USER NAME = chitua
PLOT SCALE = 1:8000 / 1"
PLOT DATE = 3/25/2014

DESIGNED -	REVISOR -
DRAWN -	REVISOR -
CHECKED -	REVISOR -
DATE - 03/28/14	REVISOR -

STATE OF ILLINOIS
DEPARTMENT OF TRANSPORTATION

CHICAGO DEPARTMENT OF WATER MANAGEMENT
STANDARD DETAILS

SCALE: NTS SHEET 6 OF 8 SHEETS STA. TO STA.

F.A.I. RTE.	SECTION	COUNTY	TOTAL SHEETS	SHEET NO.
90/94/290	2013-010R	COOK	747	642
CONTRACT NO. 60W28				
ILLINOIS FED. AID PROJECT				