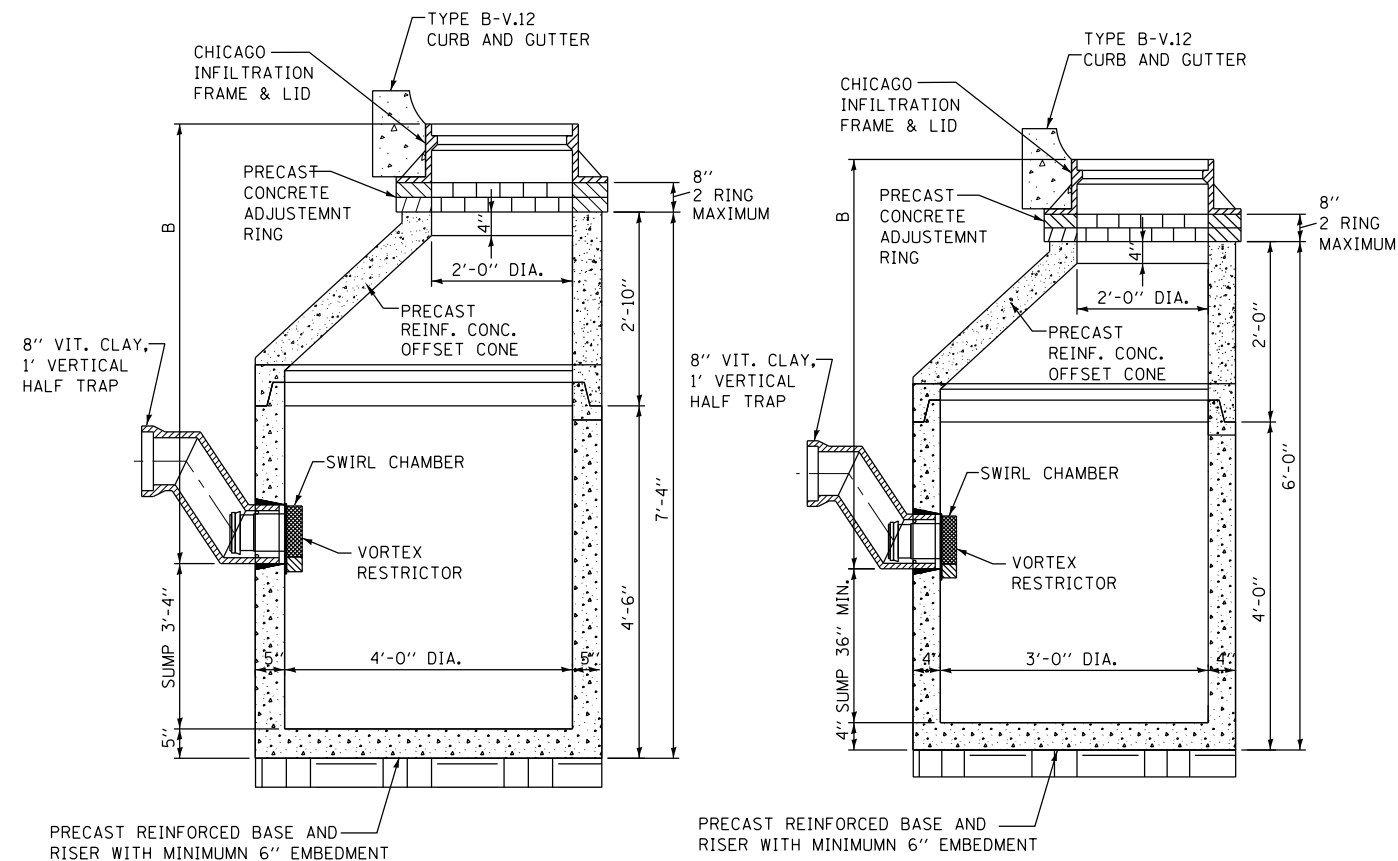
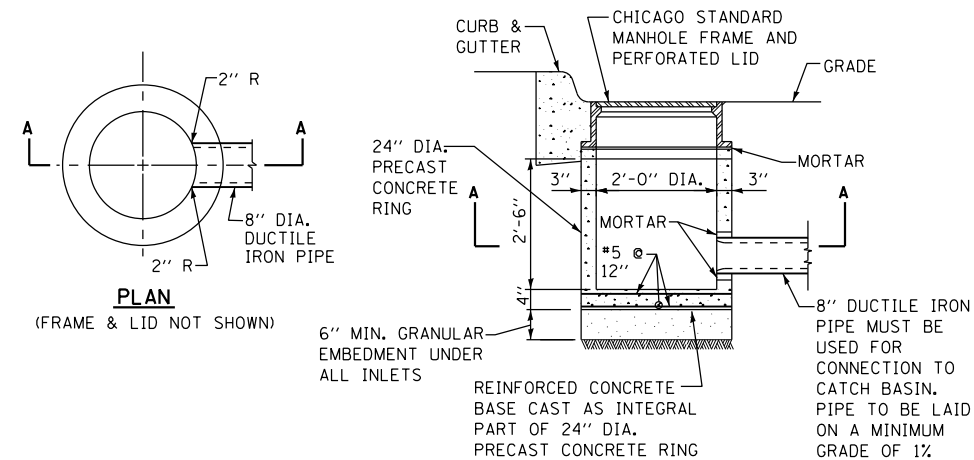


STANDARD DRAINAGE STRUCTURES FOR PUBLIC STREETS



STANDARD CATCH BASIN-4' DIA.

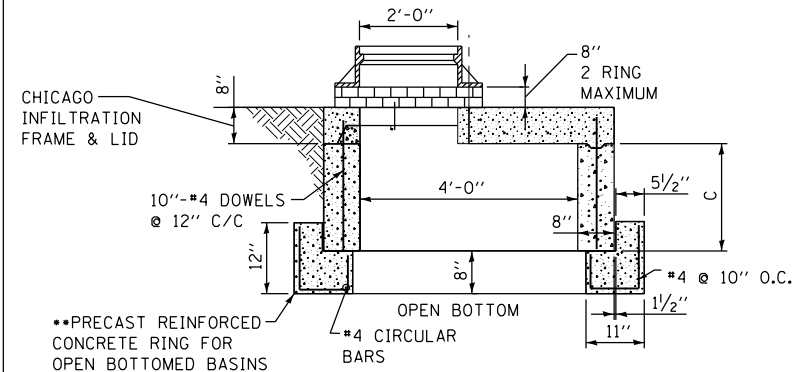
STANDARD CATCH BASIN-3' DIA.



STANDARD INLET-2' DIA.

NOTE:
INLETS AND 3' DIAMETER CATCH BASINS ARE TO BE USED ONLY WITH PRIOR APPROVAL OF DWM SEWER ENGINEER OR FIELD INSPECTOR.

STANDARD DRAINAGE STRUCTURES FOR PUBLIC ALLEYS

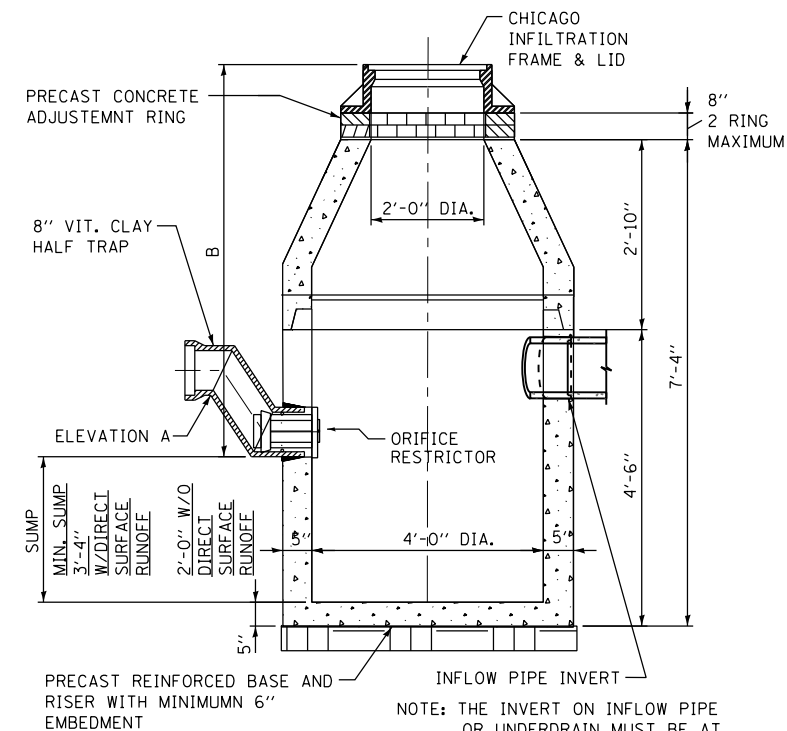


GREEN ALLEY OPEN BOTTOM CATCH BASIN

TO BE USED IF STANDARD CONE WITH REQUIRED SUMP DEPTH INSTALLATION IS IMPOSSIBLE.

••IF FLAT TOP SLAB CATCH BASIN IS USED IN AN OPEN BOTTOM APPLICATION, THE FOLLOWING CRITERIA MUST BE FOLLOWED:

- "C" MUST BE A MINIMUM OF 3 FEET.
- PROVIDE A MINIMUM AGGREGATE BASE OF 1.0 FEET BELOW PRECAST REINFORCED CONCRETE RING.
- GEOTECH FABRIC MUST BE PLACED ON SIDES AND BOTTOM OF AGGREGATE SURROUNDING BASIN.
- AGGREGATE BASE MUST PROVIDE ADEQUATE STORMWATER STORAGE CAPACITY PER THE APPROVED/PERMITTED PLANS.



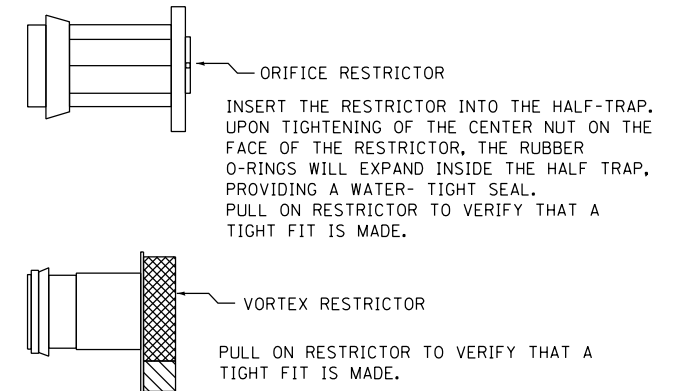
CATCH BASIN-ORIFICE RESTRICTOR

N.T.S.

NOTES:

1. FOR ANY DRAIN TILE CONNECTION, THE WATER TABLE MUST BE AT LEAST 3.5 FEET BELOW ELEVATION A.
2. PVC UNDERDRAINS MUST BE 4" MINIMUM DIAMETER, (6" RECOMMENDED) AND MUST BE WRAPPED IN GEOTECH FABRIC.

DRAINAGE STRUCTURES RESTRICTORS



GENERAL NOTES:

1. CATCH BASIN TO CATCH BASIN CONNECTIONS ARE ALLOWED IN PRIVATE SITES & ALLEYS. ONLY THE DOWNSTREAM CATCH BASIN IS REQUIRED TO HAVE A HALF-TRAP.
2. IF B < 4 FEET, THEN USE A DUCTILE IRON PIPE HALF TRAP AND FLAT TOP SLAB CATCH BASIN AS NECESSARY.
3. INLETS AND 3' DIAMETER CATCH BASINS ARE TO BE USED ONLY WITH PRIOR APPROVAL OF DWM FIELD INSPECTOR.

RESTRICTOR NOTES:

THE DWM'S RAIN BLOCKER RESTRICTOR PROGRAM MUST BE MAINTAINED WITH ANY ROADWAY IMPROVEMENT.

THE DESIGN OF ANY ROADWAY IMPROVEMENT MUST CONSIDER LIMITING THE NUMBER OF CATCH BASINS TO THE EXTENT PRACTICAL. THE NUMBER OF EXISTING STRUCTURES SHOULD NOT BE INCREASED.

THE RESTRICTORS CAN BE OBTAINED FROM DWM CENTRAL DISTRICT AT 3901 S. ASHLAND AVE. THE CONTRACTOR SHOULD ARRANGE FOR PICK UP BY CONTACTING 312-747-1177 (7AM TO 3PM, M-F)

FLOW RESTRICTORS MUST BE INSTALLED IN ALL CATCH BASINS OUTSIDE OF THE CENTRAL BUSINESS DISTRICT. RESTRICTORS MUST NOT BE INSTALLED IN CATCH BASINS IN CLOSE PROXIMITY TO VIADUCT AREAS, BUS STOPS, OR EMERGENCY ENTRANCES. THE DWM MUST APPROVE THE NON-INSTALLATION OR REMOVAL OF ANY RESTRICTOR. REQUIREMENTS FOR RESTRICTOR INSTALLATION ARE AS FOLLOWS:

- ARTERIAL STREETS: 3-INCH ORIFICE RESTRICTOR
- BUS ROUTES: 3-INCH ORIFICE RESTRICTOR
- RESIDENTIAL STREETS: 3-INCH VORTEX RESTRICTOR
- ALLEYS: 3-INCH ORIFICE RESTRICTOR IN THE LAST CB.
- CLOSED LIDS ARE REQUIRED ON ALL MANHOLES EXCEPT AT INTERSECTIONS WHERE A PERFORATED LID SHALL BE USED.

STANDARD REVISIONS	
DATE	DESCRIPTION
1/22/14	APPROVED

PERCENT COMPLETE	DATE
30	
60	
75	
90	
100	
BULLETIN	

CITY OF CHICAGO		DRAWN: SBR	A.15
DEPARTMENT OF WATER MANAGEMENT BUREAU OF ENGINEERING SERVICES		CHECKED:	
DRAINAGE STRUCTURE DETAILS		REVIEWED:	OF PN



D160W28-sht-CDWM-Detail-07.dgn
USER NAME = chitua
PLOT SCALE = 1.0000' / 1" =
PLOT DATE = 3/25/2014

DESIGNED -
DRAWN -
CHECKED -
DATE - 03/28/14

REVISED -
REVISED -
REVISED -
REVISED -

**STATE OF ILLINOIS
DEPARTMENT OF TRANSPORTATION**

**CHICAGO DEPARTMENT OF WATER MANAGEMENT
STANDARD DETAILS**

SCALE: NTS SHEET 7 OF 8 SHEETS STA. TO STA.

F.A.I. R.E.:	SECTION:	COUNTY:	TOTAL SHEETS:	SHEET NO.:
90/94/290	2013-010R	COOK	747	643
CONTRACT NO. 60W28				
ILLINOIS FED. AID PROJECT				