

STATE OF ILLINOIS
DEPARTMENT OF TRANSPORTATION

F.A.P. DIST. NO.	SECTION	COUNTY	TOTAL SHEETS	SHEET NO.
366	2018-020-RS-SW	COOK	33	1
CONTRACT NO. 62G70				

FOR INDEX OF SHEETS, SEE SHEET NO. 2

THE PROJECT IS LOCATED IN THE CITY OF CHICAGO

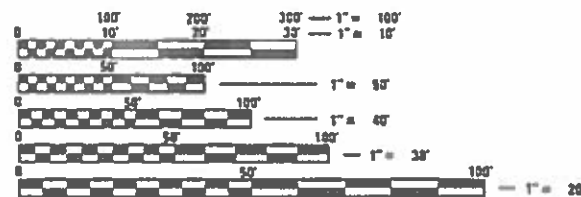
PROPOSED HIGHWAY PLANS

F.A.P. ROUTE 366: CENTRAL AVENUE
S. OF 53RD STREET TO 47TH STREET
SECTION: 2018-020-RS-SW
PROJECT: NHPP-G75F(740)
STANDARD OVERLAY, PEDESTRIAN RAMPS
COOK COUNTY

C-91-254-18



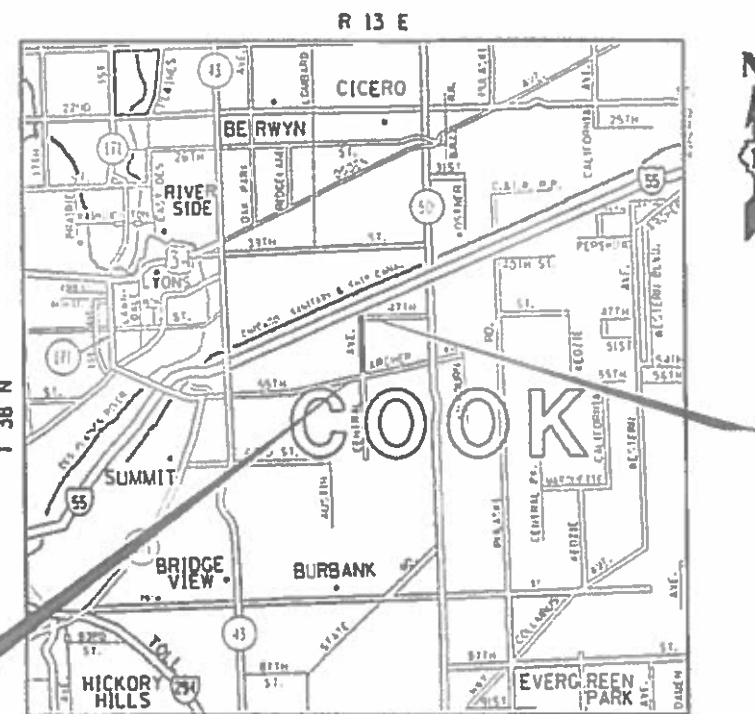
TRAFFIC DATA:
2018 ADT = 32,000
POSTED SPEED LIMIT = 30 MPH



FULL SIZE PLANS HAVE BEEN PREPARED USING STANDARD ENGINEERING SCALES. REDUCED SIZED PLANS WILL NOT CONFORM TO STANDARD SCALES. IN MAKING MEASUREMENTS ON REDUCED PLANS, THE ABOVE SCALES MAY BE USED.

C.U.A.N.
CHICAGO UTILITY ALERT NETWORK
(312) 744-7000

PROJECT BEGINS
STA. 5 + 43



PROJECT ENDS
STA. 47 + 56

STICKNEY AND CHICAGO TOWNSHIPS

GROSS AND NET LENGTH = 4,213 FT. = 0.8 MILES

PROJECT ENGINEER KARI SMITH (847) 705-4437
PROJECT MANAGER FAWAD AQUEEL (847) 705-4247

CONTRACT NO. 62G70

STATE OF ILLINOIS
DEPARTMENT OF TRANSPORTATION

SUBMITTED March 20, 2019

Anthony J. Dwyer / *AS*
REGIONAL ENGINEER

June 14, 2019
AS
ENGINEER OF DESIGN AND ENVIRONMENT

June 19, 2019
Paul P. Chif
DIRECTOR OF HIGHWAYS PROJECT IMPLEMENTATION

PRINTED BY THE AUTHORITY OF THE STATE OF ILLINOIS

INDEX OF SHEETS

SHEET NO.	DESCRIPTION
1	TITLE SHEET
2	INDEX OF SHEETS, HIGHWAY STANDARDS, AND GENERAL NOTES
3 - 5	SUMMARY OF QUANTITIES
6	TYPICAL SECTIONS
7 - 8	ROADWAY AND PAVEMENT MARKING PLANS
9 - 16	PROPOSED SIDEWALK RAMP DETAILS
17 - 18	DETECTOR LOOP REPLACEMENT PLANS
19	DETAILS FOR FRAMES AND LIDS ADJUSTMENT WITH MILLING (BD-08)
20	PAVEMENT PATCHING FOR HMA SURFACED PAVEMENT (BD-22)
21	CURB OR CURB AND GUTTER REMOVAL AND REPLACEMENT (BD-24)
22	BUTT JOINT AND HMA TAPER DETAILS (BD-32)
23	CITY OF CHICAGO DETECTABLE WARNINGS (BD-58)
24	TRAFFIC CONTROL AND PROTECTION FOR SIDE ROADS, INTERSECTIONS, AND DRIVEWAYS (TC-10)
25	TYPICAL APPLICATIONS RAISED REFLECTIVE PAVEMENT MARKERS (SNOW-PLOW RESISTANT) (TC-11)
26	DISTRICT ONE TYPICAL PAVEMENT MARKINGS(TC-13)
27	TRAFFIC CONTROL AND PROTECTION AT TURN BAYS (TO REMAIN OPEN TO TRAFFIC) (TC-14)
28	SHORT TERM PAVEMENT MARKING LETTERS AND SYMBOLS (TC-16)
29	ARTERIAL ROAD INFORMATION SIGN (TC-22)
30	CITY OF CHICAGO TYPICAL PAVEMENT MARKINGS (TC-24)
31	DRIVEWAY ENTRANCE SIGNING (TC-26)
32	DISTRICT ONE STANDARD TRAFFIC SIGNAL DESIGN DETAIL, SHEET 2 OF 7 (TS-05)
33	DISTRICT ONE DETECTOR LOOP INSTALLATION DETAILS FOR ROADWAY RESURFACING (TS-07)

STATE HIGHWAY STANDARDS

STANDARD NO.	DESCRIPTION
000001-07	STANDARD SYMBOLS, ABBREVIATIONS AND PATTERNS
424001-11	PERPENDICULAR CURB RAMPS FOR SIDEWALKS
424011-04	CORNER PARALLEL CURB RAMPS FOR SIDEWALKS
424021-05	DEPRESSED CORNER FOR SIDEWALKS
442201-03	CLASS C AND D PATCHES
604001-04	FRAMES AND LIDS TYPE 1
604091-03	FRAME AND GRATE TYPE 24
606001-07	CONCRETE CURB TYPE B AND COMBINATION CONCRETE CURB AND GUTTER
701006-05	OFF-RD OPERATIONS, 2L, 2W, 15' (4.5 m) TO 24" (600 mm) FROM PAVEMENT EDGE
701101-05	OFF-RD OPERATIONS, MULTILANE, 15' (4.5 m) TO 24" (600 mm) FROM PAVEMENT EDGE
701106-02	OFF-RD OPERATIONS, MULTILANE, MORE THAN 15' (4.5 m) AWAY
701301-04	LANE CLOSURE, 2L, 2W, SHORT TIME OPERATIONS
701311-03	LANE CLOSURE 2L, 2W, MOVING OPERATIONS DAY ONLY
701427-05	LANE CLOSURE, MULTILANE INTERMITTENT OR OIVING OPER., FOR SPEEDS <= 40 MPH
701501-06	URBAN LANE CLOSURE, 2L, 2W, UNDIVIDED
701502-09	URBAN LANE CLOSURE, 2L, 2W, WITH BIDIRECTIONAL LEFT TURN LANE
701602-10	URBAN LANE CLOSURE MULTILANE, 2W WITH BIDIRECTIONAL LEFT TURN LANE
701606-10	URBAN SINGLE LANE CLOSURE, MULTILANE, 2W WITH MOUNTABLE MEDIATE
701701-10	URBAN LANE CLOSURE, MULTILANE INTERSECTION
701801-06	SIDEWALK, CORNER OR CROSSWALK CLOSURE
701901-08	TRAFFIC CONTROL DEVICES
814001-03	HANDHOLES
814006-02	DOUBLE HANDHOLES

GENERAL NOTES (CONTINUED..)

- IT SHALL BE THE CONTRACTOR'S RESPONSIBILITY TO VERIFY ALL DIMENSIONS AND CONDITIONS EXISTING IN THE FIELD PRIOR TO CONSTRUCTION AND ORDERING OF MATERIALS.
- DO NOT SCALE PLANS FOR CONSTRUCTION DIMENSIONS.
- THE CONTRACTOR SHALL BE REQUIRED TO PROVIDE ACCESS TO ABUTTING PROPERTY AT ALL TIMES DURING THE CONSTRUCTION OF THIS PROJECT.
- ALL PAVEMENT PATCHING LOCATIONS WILL BE DETERMINED IN THE FIELD BY THE ENGINEER.
- DRAINAGE ADJUSTMENT OR RECONSTRUCTION LOCATIONS WILL BE DETERMINED IN THE FIELD BY THE ENGINEER.
- FOR FRAMES AND LIDS ADJUSTMENT WITHOUT MILLING, REUSE EXISTING FRAME AND LID UNLESS OTHERWISE SPECIFIED IN THE PLANS.
- WHEN MILLED PAVEMENT IS OPEN TO TRAFFIC, THE MAXIMUM GRADE DIFFERENTIAL BETWEEN PASSES OF THE MILLING MACHINE SHALL NOT EXCEED 1/2 INCHES WHERE THE SPEED LIMIT IS 45 MPH OR LESS, AND 1 INCH WHERE THE SPEED LIMIT IS OVER 45 MPH. WITH WRITTEN APPROVAL FROM THE ENGINEER, A MAXIMUM GRADE DIFFERENTIAL OF 3 INCHES MAY BE ALLOWED IF THE EDGE OF THE MILLING IS SLOPED A MINIMUM OF 1V:3H.
- BUTT JOINTS WILL BE INSTALLED AT THE ENDS OF RESURFACING (WHERE RESURFACING MEETS EXISTING PAVEMENT) IN ACCORDANCE WITH THE "BUTT JOINT AND HMA TAPER DETAILS" SHEET INCLUDED IN THE PLANS, UNLESS OTHERWISE SPECIFIED.
- THE ENGINEER SHALL CONTACT KYLIE VOGRIN, ARTERIAL TRAFFIC FIELD ENGINEER AT KYLIE.VOGRIN@ILLINOIS.GOV A MINIMUM OF 2 WEEKS PRIOR TO PLACEMENT OF PERMANENT PAVEMENT MARKINGS.
- BEFORE BEGINNING ANY WORK, THE CONTRACTOR SHALL RETAIN AND RECORD FOR FUTURE REFERENCE, ALL EXISTING PAVEMENT MARKING LINES (AND RAISED REFLECTIVE PAVEMENT MARKERS) IN ORDER THAT THESE LOCATIONS CAN BE RE-ESTABLISHED FOR STRIPING. EXACT LOCATIONS OF ALL PAVEMENT MARKINGS SHALL BE AS DIRECTED BY THE ENGINEER.
- ANY PAVEMENT MARKINGS AND RAISED REFLECTIVE PAVEMENT MARKERS OBLITERATED BY MILLING AND RESURFACING OPERATIONS ON SIDE STREETS AND ENTRANCES SHALL BE REPLACED AND PAID FOR IN KIND.
- PAVEMENT MARKING TAPE, TYPE III SHALL BE USED FOR SHORT TERM PAVEMENT MARKINGS ON ALL FINAL SURFACES.
- THE CONTRACTOR SHALL MAINTAIN PEDESTRIAN ACCESS AT ALL TIMES DURING CONSTRUCTION.
- LOCATION OF COMBINATION CONCRETE CURB AND GUTTER REMOVAL AND REPLACEMENT (OR COMBINATION CURB AND GUTTER (THE TYPE SPECIFIED IN THE PLANS)) WILL BE DETERMINED IN THE FIELD BY THE ENGINEER.
- CONTACT THE IDOT ROADSIDE DEVELOPMENT UNIT AT 847-705-4171 AT LEAST 2 WEEKS PRIOR TO BEGINNING WORK FOR LAYOUT.
- BEFORE BEGINNING ANY WORK, THE CONTRACTOR SHALL RETAIN AND RECORD FOR FUTURE REFERENCE, ALL EXISTING PAVEMENT MARKING LINES (AND RAISED REFLECTIVE PAVEMENT MARKERS) IN ORDER THAT THESE LOCATIONS CAN BE RE-ESTABLISHED FOR STRIPING. EXACT LOCATIONS OF ALL PAVEMENT MARKINGS SHALL BE AS DIRECTED BY THE ENGINEER.

GENERAL NOTES

- BEFORE STARTING ANY EXCAVATION, THE CONTRACTOR SHALL CALL "CUAN" AT (312) 744-7000 FOR FIELD LOCATIONS OF BURIED ELECTRIC, TELEPHONE, AND GAS FACILITIES. (48 HOUR NOTIFICATION REQUIRED)
- THE CONTRACTOR SHALL COORDINATE CONSTRUCTION ACTIVITIES WITH UTILITY COMPANIES AND THE CITY OF CHICAGO.
- FRAMES AND GRATES ADJUSTMENT OF PRIVATE UTILITIES WITHIN THE LIMITS OF THE IMPROVEMENTS SHALL BE DONE BY THEIR RESPECTIVE OWNERS AND ARE NOT PART OF THIS CONTRACT.
- THE CONTRACTOR SHALL CONTACT DISTRICT ONE ARTERIAL TRAFFIC CONTROL SUPERVISOR KALPANA KANNAN-HOSADURGA AT KALPANA.KANNAN-HOSADURGA@ILLINOIS.GOV A MINIMUM OF 72 HOURS IN ADVANCE OF BEGINNING WORK.
- THE CONTRACTOR WILL NOT BE ALLOWED TO SET UP A YARD OR FIELD OFFICE ON STATE PROPERTY WITHOUT THE WRITTEN PERMISSION OF THE DEPARTMENT.
- UNLESS OTHER CONDITIONS WARRANT EXTENDED LANE CLOSURE AS DETERMINED AND APPROVED IN WRITING BY THE ENGINEER OR AS PROVIDED FOR IN THE CONTRACT SPECIFICATIONS, OVERNIGHT CLOSURES SHALL NOT BE ALLOWED FOR REHABILITATION PROJECTS INVOLVING DAYTIME MILLING AND RESURFACING OPERATIONS AND CLASS D PATCHING.

MODEL: Default
 FILE: \\p1barn.com\data\illinois.gov\PIWDOT\Documents\DOT_Offices\District 1\Projects\ID133118\CADD\Drawings\0133118-sh-h-lbr.dgn

USER NAME = paraynoal	DESIGNED -	REVISED -	STATE OF ILLINOIS DEPARTMENT OF TRANSPORTATION	CENTRAL AVENUE: 53RD STREET TO 47TH STREET GENERAL NOTES AND INDEX SHEET		F.A.P. RTE.	SECTION	COUNTY	TOTAL SHEETS	SHEET NO.	
DRAWN -	REVISED -	366				2018-020-R5-SW	COOK	33	2		
PLOT SCALE = 100.0000' / in.	CHECKED -	REVISED -		SCALE: 1"= 50"		SHEET OF SHEETS STA. TO STA.		CONTRACT NO. 62G70			
PLOT DATE = 5/16/2019	DATE -	REVISED -		ILLINOIS FED. AID PROJECT							

SUMMARY OF QUANTITIES			TOTAL QUANTITIES	CONSTRUCTION TYPE CODE					
CODE NO	ITEM	UNIT		0005 80% FED 20% STATE					
20200100	EARTH EXCAVATION	CU YD	45	45					
21101615	TOPSOIL FURNISH AND PLACE, 4"	SO YD	150	150					
25200110	SODDING, SALT TOLERANT	SO YD	150	150					
25200200	SUPPLEMENTAL WATERING	UNIT	0.9	0.9					
40600290	BITUMINOUS MATERIALS (TACK COAT)	POUND	19958	19958					
40600400	MIXTURE FOR CRACKS, JOINTS, AND FLANGEWAYS	TON	89	89					
40600827	POLYMERIZED LEVELING BINDER (MACHINE METHOD), IL-4, 75, N50	TON	1220	1220					
40600982	HOT-MIX ASPHALT SURFACE REMOVAL - BUTT JOINT	SO YD	290	290					
40600985	PORTLAND CEMENT CONCRETE SURFACE REMOVAL - BUTT JOINT	SO YD	136	136					
40603335	HOT-MIX ASPHALT SURFACE COURSE, MIX "D", N50	TON	1	1					
42001300	PROTECTIVE COAT	SO YD	528	528					
42400410	PORTLAND CEMENT CONCRETE SIDEWALK 8 INCH	SO FT	3675	3675					

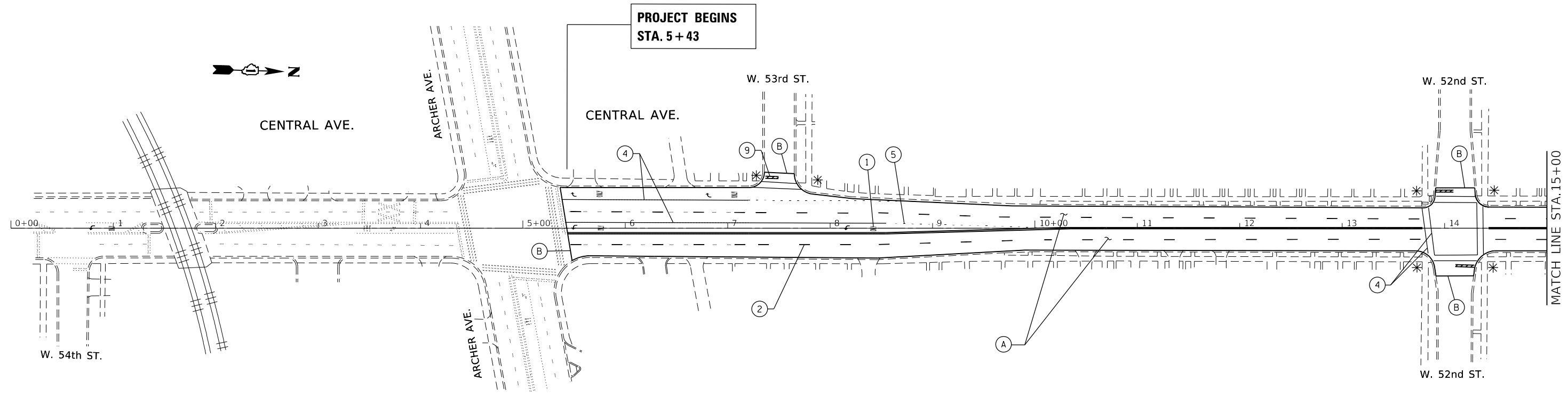
SUMMARY OF QUANTITIES			TOTAL QUANTITIES	CONSTRUCTION TYPE CODE					
CODE NO	ITEM	UNIT		0005 80% FED 20% STATE					
44000157	HOT-MIX ASPHALT SURFACE REMOVAL, 2"	SO YD	4	4					
44000159	HOT-MIX ASPHALT SURFACE REMOVAL, 2 1/2"	SO YD	29567	29567					
44000600	SIDEWALK REMOVAL	SO FT	3675	3675					
44201789	CLASS D PATCHES, TYPE II, 12 INCH	SO YD	115	115					
44201794	CLASS D PATCHES, TYPE III, 12 INCH	SO YD	80	80					
44201796	CLASS D PATCHES, TYPE IV, 12 INCH	SO YD	80	80					
60300305	FRAMES AND LIDS TO BE ADJUSTED	EACH	4	4					
* 66900200	NON-SPECIAL WASTE DISPOSAL	CU YD	45	45					
* 66900530	SOIL DISPOSAL ANALYSIS	EACH	4	4					
* 66901001	REGULATED SUBSTANCES PRE-CONSTRUCTION PLAN	LSUM	1	1					
* 66901002	ON-SITE MONITORING OF REGULATED SUBSTANCES	CAL DA	8	8					
* 66901003	REGULATED SUBSTANCES FINAL CONSTRUCTION REPORT	LSUM	1	1					
67000400	ENGINEER'S FIELD OFFICE, TYPE A	CAL MO	6	6					

* SPECIALTY ITEMS

SUMMARY OF QUANTITIES			TOTAL QUANTITIES	CONSTRUCTION TYPE CODE					
CODE NO	ITEM	UNIT		0005 80% FED 20% STATE					
67100100	MOBILIZATION	L SUM	1	1					
70102620	TRAFFIC CONTROL AND PROTECTION, STANDARD 701501	L SUM	1	1					
70102622	TRAFFIC CONTROL AND PROTECTION, STANDARD 701502	L SUM	1	1					
70102625	TRAFFIC CONTROL AND PROTECTION, STANDARD 701606	L SUM	1	1					
70102632	TRAFFIC CONTROL AND PROTECTION, STANDARD 701602	L SUM	1	1					
70102635	TRAFFIC CONTROL AND PROTECTION, STANDARD 701701	L SUM	1	1					
70102640	TRAFFIC CONTROL AND PROTECTION, STANDARD 701801	L SUM	1	1					
70300100	SHORT TERM PAVEMENT MARKING	FOOT	25800	25800					
70300150	SHORT TERM PAVEMENT MARKING REMOVAL	SO FT	8600	8600					
70300210	TEMPORARY PAVEMENT MARKING LETTERS AND SYMBOLS	SO FT	683	683					
70300220	TEMPORARY PAVEMENT MARKING - LINE 4"	FOOT	13930	13930					

SUMMARY OF QUANTITIES			TOTAL QUANTITIES	CONSTRUCTION TYPE CODE					
CODE NO	ITEM	UNIT		0005 80% FED 20% STATE					
70300240	TEMPORARY PAVEMENT MARKING - LINE 6"	FOOT	2425	2425					
70300250	TEMPORARY PAVEMENT MARKING - LINE 8"	FOOT	319	319					
70300260	TEMPORARY PAVEMENT MARKING - LINE 12"	FOOT	566	566					
70300280	TEMPORARY PAVEMENT MARKING - LINE 24"	FOOT	247	247					
70300520	PAVEMENT MARKING TAPE, TYPE III 4"	FOOT	6450	6450					
* 78000100	THERMOPLASTIC PAVEMENT MARKING - LETTERS AND SYMBOLS	SO FT	683	683					
* 78000200	THERMOPLASTIC PAVEMENT MARKING - LINE 4"	FOOT	13930	13930					
* 78000400	THERMOPLASTIC PAVEMENT MARKING - LINE 6"	FOOT	2425	2425					
* 78000500	THERMOPLASTIC PAVEMENT MARKING - LINE 8"	FOOT	319	319					
* 78000600	THERMOPLASTIC PAVEMENT MARKING - LINE 12"	FOOT	566	566					
* 78000650	THERMOPLASTIC PAVEMENT MARKING - LINE 24"	FOOT	247	247					
* 78100100	RAISED REFLECTIVE PAVEMENT MARKER	EACH	495	495					
78300200	RAISED REFLECTIVE PAVEMENT MARKER REMOVAL	EACH	480	480					

* SPECIALTY ITEMS



**PROJECT BEGINS
STA. 5 + 43**

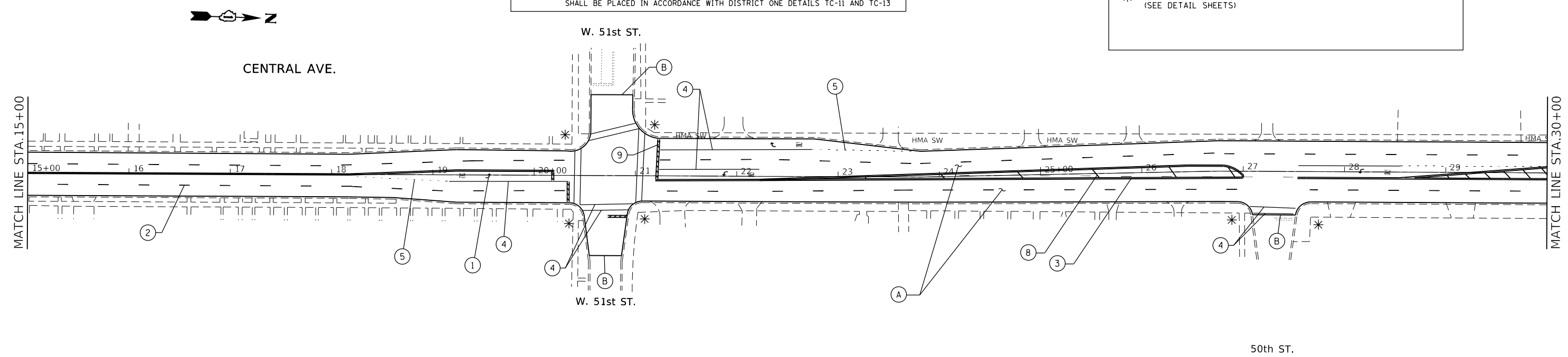
PAVEMENT MARKING LEGEND

① PROP. 8" WHITE THERMO. PVT. MRK. LETTERS AND SYMBOLS (TYP.)	⑥ PROP. THERMO. PVT. MRK.-8" GORE MKR, SOLID WHITE (TYP.)
② PROP. THERMO. PVT. MRK.-4" 10' DASH - 30' SKIP, WHITE (TYP.)	⑦ PROP. THERMO. PVT. MRK.-12" CHEVRON, WHITE (TYP.)
③ PROP. THERMO. PVT. MRK.-4" CENTERLINE, DOUBLE YELLOW (TYP.)	⑧ PROP. THERMO. PVT. MRK.-12" DIAGONAL, YELLOW (TYP.)
④ PROP. THERMO. PVT. MRK.-6" SOLID LINE, WHITE (TYP.)	⑨ PROP. THERMO. PVT. MRK.-24" STOP LINE, WHITE (TYP.)
⑤ PROP. THERMO. PVT. MRK.-6" DOTTED LINE, WHITE (2' DASH, 6" SKIP) (TYP.)	

NOTE: ALL FINAL PAVEMENT MARKINGS AND RAISED REFLECTIVE PAVEMENT MARKERS SHALL BE PLACED IN ACCORDANCE WITH DISTRICT ONE DETAILS TC-11 AND TC-13

ROADWAY PROPOSED WORK LEGEND

A	PROP. HMA SURFACE REMOVAL, 2 1/2" PROP. POLY. HMA SURFACE COURSE, SMA, 9.5, N80, 1 3/4" PROP. POLY. LEVELING BINDER (MACHINE METHOD), IL-4.75, N50, 3/4"
B	PROP. HMA SURFACE REMOVAL - BUTT JOINT LIMIT OF RESURFACING
C	PROP. PCC SURFACE REMOVAL - BUTT JOINT LIMIT OF RESURFACING
*	PROP. PCC SIDEWALK CURB RAMP IMPROVEMENT (SEE DETAIL SHEETS)



MODEL: Default
FILE: h:\mhc\p\pub\barroom.dwg
PROJECT: 133118\CD\Drawings\DOT - Office\District 1\Projects\133118\CD\Drawings\Design\133118-sh-rl-bar.dwg

USER NAME = paraynoal	DESIGNED -	REVISED -
PLOT SCALE = 100.0000' / in.	DRAWN -	REVISED -
PLOT DATE = 5/16/2019	CHECKED -	REVISED -
	DATE -	REVISED -

**STATE OF ILLINOIS
DEPARTMENT OF TRANSPORTATION**

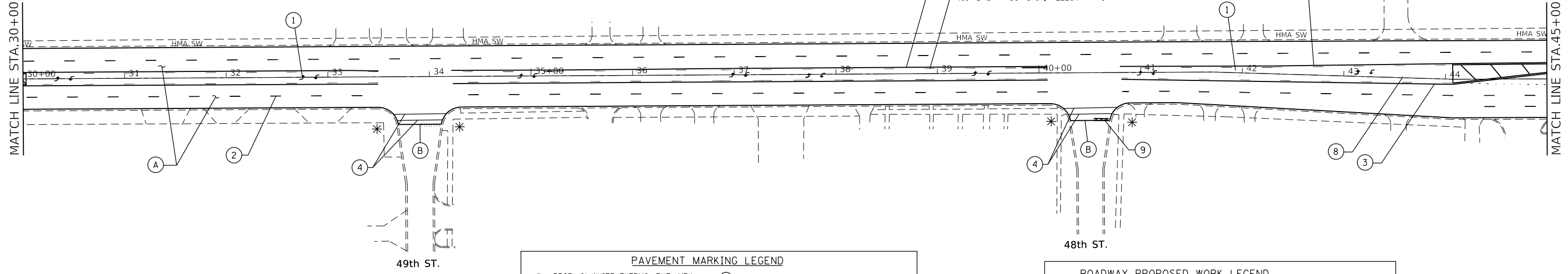
**EXISTING AND PROPOSED ROADWAY PLAN
CENTRAL AVENUE: (53RD STREET TO 47TH STREET)**

SCALE: 1" = 50' SHEET OF SHEETS STA. TO STA.

F.A.P. RTE.	SECTION	COUNTY	TOTAL SHEETS	SHEET NO.
366	2018-020-R5-SW	COOK	33	7
CONTRACT NO. 62G70				
ILLINOIS FED. AID PROJECT				



CENTRAL AVE.



PAVEMENT MARKING LEGEND

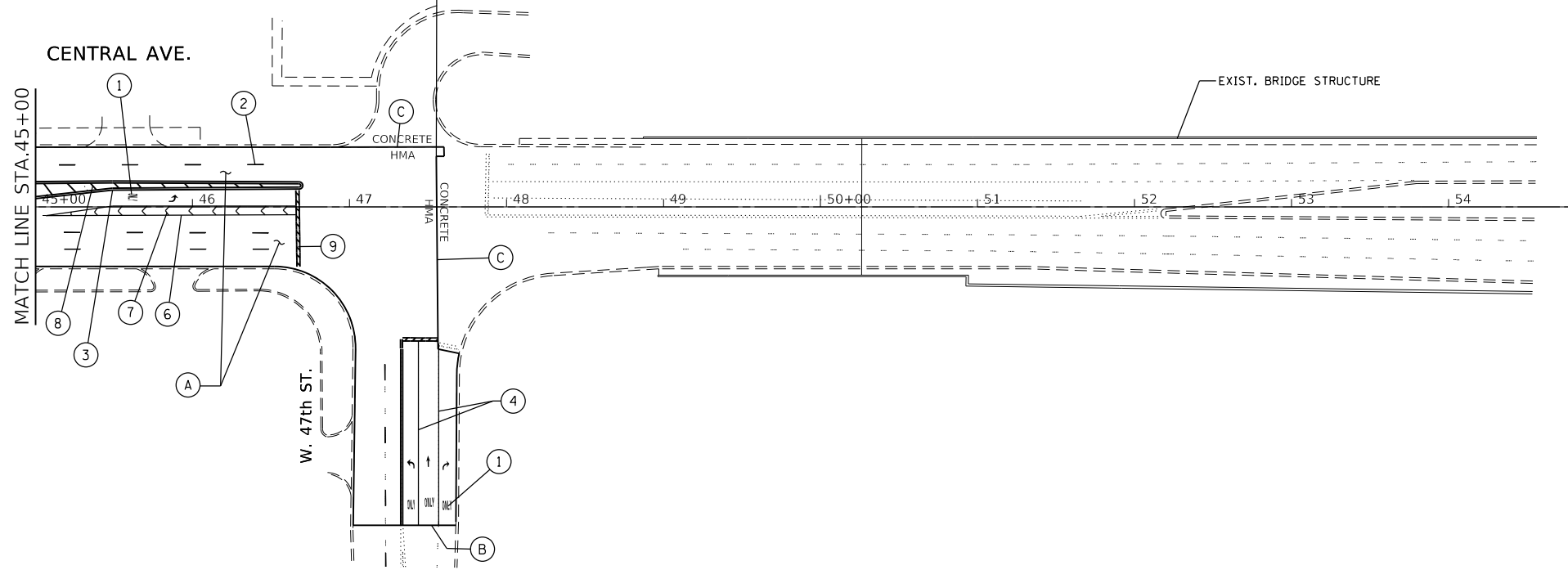
① PROP. 8" WHITE THERMO. PVT. MRK. LETTERS AND SYMBOLS (TYP.)	⑥ PROP. THERMO. PVT. MRK.-8" GORE MRK, SOLID WHITE (TYP.)
② PROP. THERMO. PVT. MRK.-4" 10' DASH - 30' SKIP, WHITE (TYP.)	⑦ PROP. THERMO. PVT. MRK.-12" CHEVRON, WHITE (TYP.)
③ PROP. THERMO. PVT. MRK.-4" CENTERLINE, DOUBLE YELLOW (TYP.)	⑧ PROP. THERMO. PVT. MRK.-12" DIAGONAL, YELLOW (TYP.)
④ PROP. THERMO. PVT. MRK.-6" SOLID LINE, WHITE (TYP.)	⑨ PROP. THERMO. PVT. MRK.-24" STOP LINE, WHITE (TYP.)
⑤ PROP. THERMO. PVT. MRK.-6" DOTTED LINE, WHITE (2' DASH, 6' SKIP) (TYP.)	

NOTE: ALL FINAL PAVEMENT MARKINGS AND RAISED REFLECTIVE PAVEMENT MARKERS SHALL BE PLACED IN ACCORDANCE WITH DISTRICT ONE DETAILS TC-11 AND TC-13

ROADWAY PROPOSED WORK LEGEND

A	PROP. HMA SURFACE REMOVAL, 2 1/2" PROP. POLY. HMA SURFACE COURSE, SMA, 9.5, N80, 1 3/4" PROP. POLY. LEVELING BINDER (MACHINE METHOD), IL-4.75, N50, 3/4"
B	PROP. HMA SURFACE REMOVAL - BUTT JOINT LIMIT OF RESURFACING
C	PROP. PCC SURFACE REMOVAL - BUTT JOINT LIMIT OF RESURFACING
*	PROP. PCC SIDEWALK CURB RAMP IMPROVEMENT (SEE DETAIL SHEETS)

**PROJECT ENDS
STA. 47 + 56**



MODEL: Default
 FILE: h:\mhc\p\pub\haronom.dwg
 PROJECT: 133118-CADD\Drawings\DOT - Offices\District 1\Projects\133118-CADD\Drawings\133118-sh-c-lan.dwg

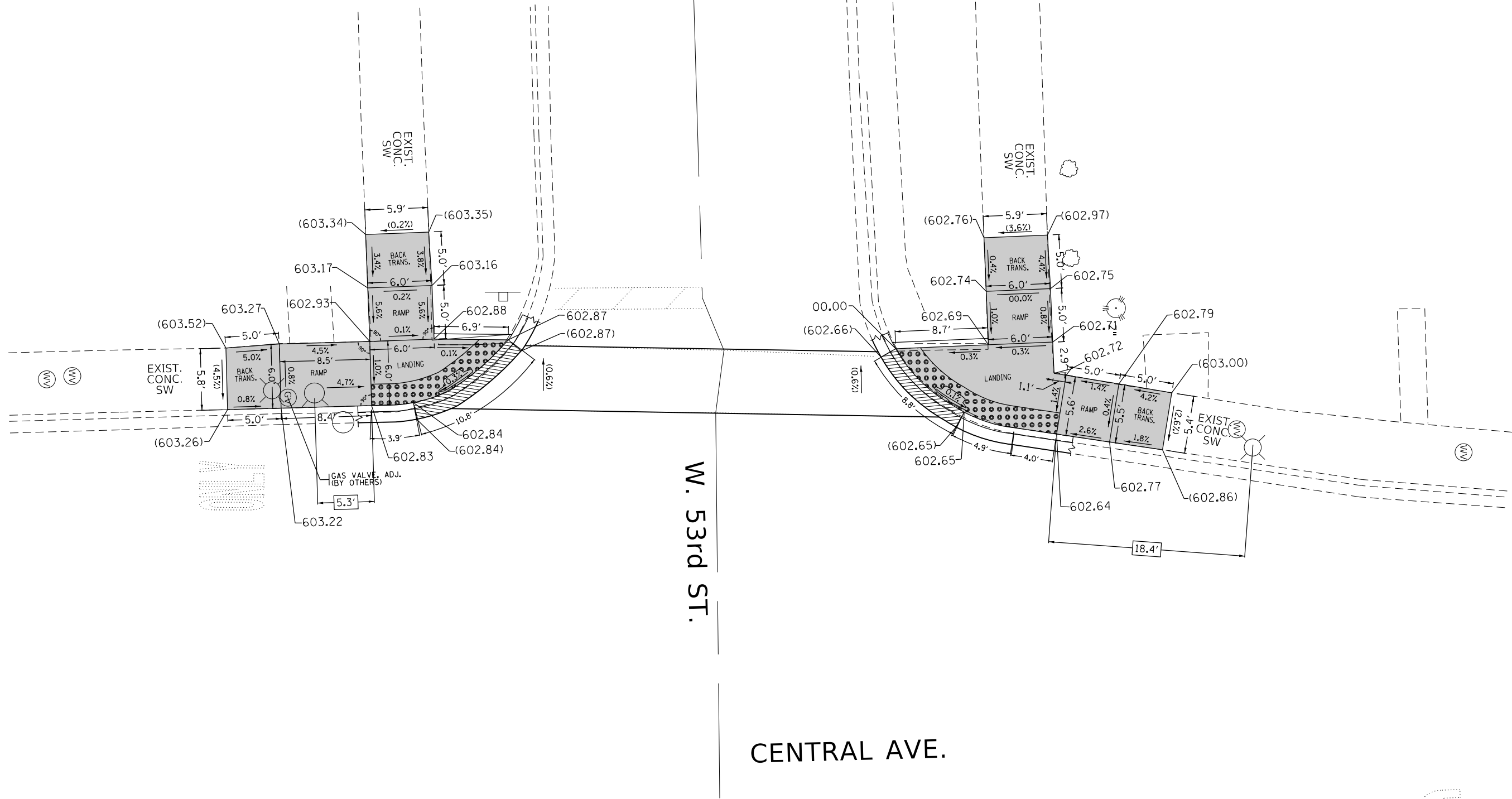
USER NAME = paraynoal	DESIGNED -	REVISED -
PLOT SCALE = 100,0000' / in.	DRAWN -	REVISED -
PLOT DATE = 5/16/2019	CHECKED -	REVISED -
	DATE -	REVISED -

**STATE OF ILLINOIS
DEPARTMENT OF TRANSPORTATION**

**EXISTING AND PROPOSED ROADWAY PLAN
CENTRAL AVENUE: (53RD STREET TO 47TH STREET)**

SCALE: 1" = 50' SHEET OF SHEETS STA. TO STA.

F.A.P. RTE.	SECTION	COUNTY	TOTAL SHEETS	SHEET NO.
366	2018-020-R5-SW	COOK	33	8
CONTRACT NO. 62G70				
ILLINOIS FED. AID PROJECT				



REFERENCE BENCHMARK ELEV: 605.46
 BENCHMARK DESCRIPTION : TOP OF FIRE HYDRANT.
 BENCHMARK LOCATION : AT SW CORNER OF 53RD ST. AND CENTRAL AVE.

LEGEND

- xx.xx' EXISTING LENGTH
- PROPOSED SIDE CURB
- () EXISTING ELEVATION/SLOPE
- PROPOSED SIDEWALK
- DETECTABLE WARNINGS
- SIDEWALK REMOVAL
REPLACE W/TOPSOIL & SOD

CENTRAL AVE. AND 53RD STREET, NW AND SW CORNERS

**STATE OF ILLINOIS
 DEPARTMENT OF TRANSPORTATION**

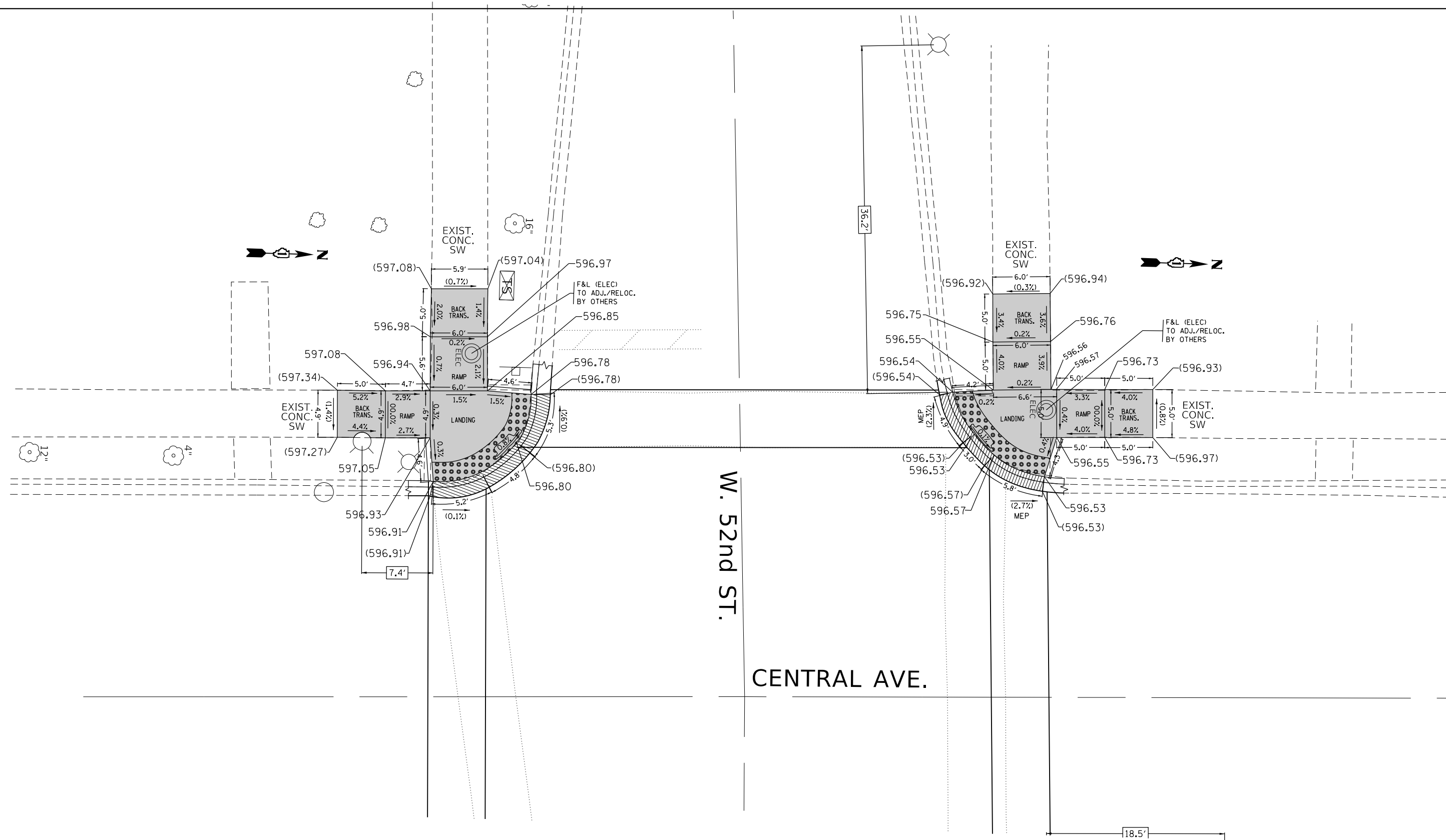
**SIDEWALK DETAIL PLAN
 CENTRAL AVENUE: - (53RD STREET TO 47TH STREET)**

SCALE: SHEET OF SHEETS STA. TO STA.

F.A.P. RTE.	SECTION	COUNTY	TOTAL SHEETS	SHEET NO.
366	2018-020-R5-SW	COOK	33	9
CONTRACT NO. 62G70				
ILLINOIS FED. AID PROJECT				

MODEL: Default
 FILE: \\nlsr01\pub\baroncom.datalink\pwr\DOT\Documents\DOT - Offices\Dir\et - J\Projects\133118\CADD\Drawings\133118-sh-detailed.dgn

MODEL: Default
 FILE: \\blm1c1-p01\pub\baronm.dwg\illinois\p01\DOT\Documents\DOT_Offices\Detail - 1\Projects\133118\CADD\Drawings\133118-sh-detailed.dwg



REFERENCE BENCHMARK ELEV: 599.218
 BENCHMARK DESCRIPTION : TOP OF SPINDLE OF F.H.
 BENCHMARK LOCATION : AT SW CORNER OF 52ND ST. AND CENTRAL AVE.

LEGEND

xx.xx'	EXISTING LENGTH		PROPOSED SIDEWALK
	PROPOSED SIDE CURB		DETECTABLE WARNINGS
()	EXISTING ELEVATION/SLOPE		SIDEWALK REMOVAL REPLACE W/TOPSOIL & SOD

CENTRAL AVE. AND 52ND STREET, NW AND SW CORNERS

USER NAME = paraynoal	DESIGNED -	REVISED -	
	DRAWN -	REVISED -	
PLOT SCALE = 10.0000' / in.	CHECKED -	REVISED -	
PLOT DATE = 5/16/2019	DATE -	REVISED -	

STATE OF ILLINOIS
DEPARTMENT OF TRANSPORTATION

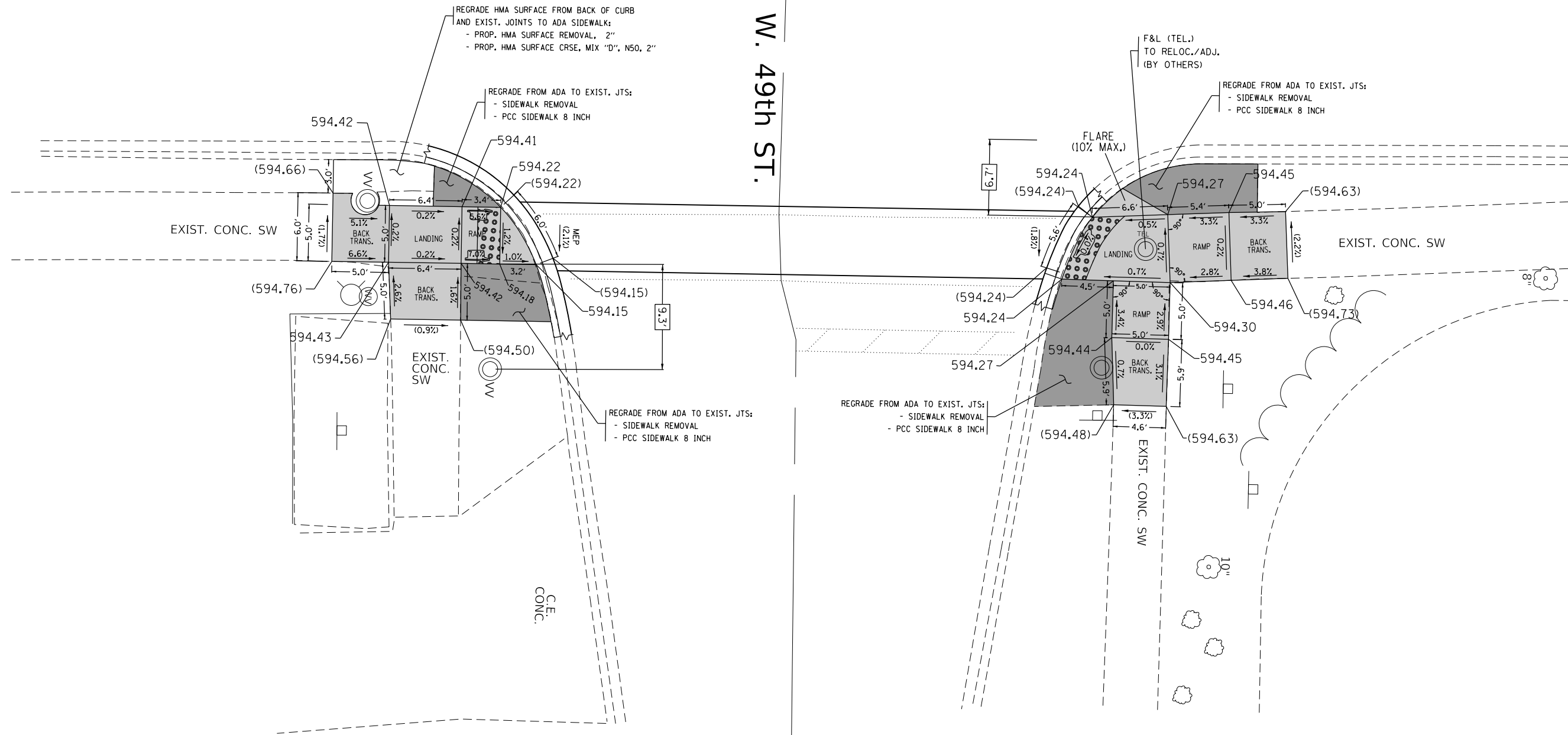
SIDEWALK DETAIL PLAN
CENTRAL AVENUE: - (53RD STREET TO 47TH STREET)

SCALE: SHEET OF SHEETS STA. TO STA.

F.A.P. RTE.	SECTION	COUNTY	TOTAL SHEETS	SHEET NO.
366	2018-020-R5-SW	COOK	33	10
CONTRACT NO. 62G70				
ILLINOIS FED. AID PROJECT				

CENTRAL AVE.

W. 49th ST.



REFERENCE BENCHMARK ELEV: 596.736
 BENCHMARK DESCRIPTION : SE BOLT OF F.H.
 BENCHMARK LOCATION : AT SE CORNER OF 49TH ST. AND CENTRAL AVE.

LEGEND

- xx.xx' EXISTING LENGTH
- PROPOSED SIDE CURB
- () EXISTING ELEVATION/SLOPE
- PROPOSED SIDEWALK
- DETECTABLE WARNINGS
- SIDEWALK REMOVAL REPLACE W/TOPSOIL & SOD

CENTRAL AVE. AND 49TH STREET, NE AND SE CORNERS

**STATE OF ILLINOIS
DEPARTMENT OF TRANSPORTATION**

**SIDEWALK DETAIL PLAN
CENTRAL AVENUE: - (53RD STREET TO 47TH STREET)**

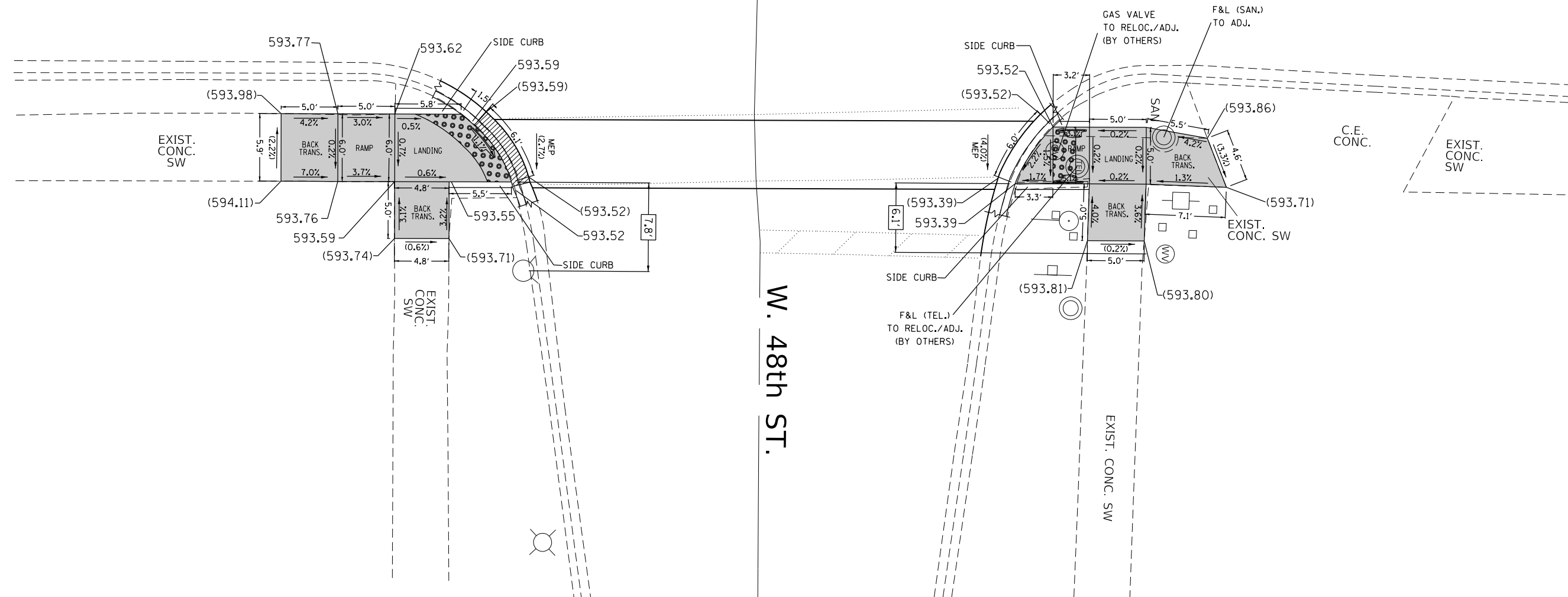
SCALE: SHEET OF SHEETS STA. TO STA.

F.A.P. RTE.	SECTION	COUNTY	TOTAL SHEETS	SHEET NO.
366	2018-020-R5-SW	COOK	33	15
ILLINOIS FED. AID PROJECT			CONTRACT NO. 62G70	

MODEL: Default
FILE: \\harc...\\pub\baroncom.dad\illinois.gov\PWIDOT\Documents\DOT_Offices\District_1\Projects\2018\2018-020-R5-SW-62G70.dgn

CENTRAL AVE.

W. 48th ST.



REFERENCE BENCHMARK ELEV: 595.959
 BENCHMARK DESCRIPTION : TOP OF F.H.
 BENCHMARK LOCATION : AT SE CORNER OF 48TH ST. AND CENTRAL AVE.

LEGEND	
xx.xx'	EXISTING LENGTH
=====	PROPOSED SIDE CURB
()	EXISTING ELEVATION/SLOPE
	PROPOSED SIDEWALK
	DETECTABLE WARNINGS
	SIDEWALK REMOVAL REPLACE W/TOPSOIL & SOD

CENTRAL AVE. AND 48TH STREET, NE AND SE CORNERS

STATE OF ILLINOIS
 DEPARTMENT OF TRANSPORTATION

SIDEWALK DETAIL PLAN
 CENTRAL AVENUE: - (53RD STREET TO 47TH STREET)

USER NAME = paraynoal	DESIGNED -	REVISED -
	DRAWN -	REVISED -
PLOT SCALE = 10.0000' / in.	CHECKED -	REVISED -
PLOT DATE = 5/16/2019	DATE -	REVISED -

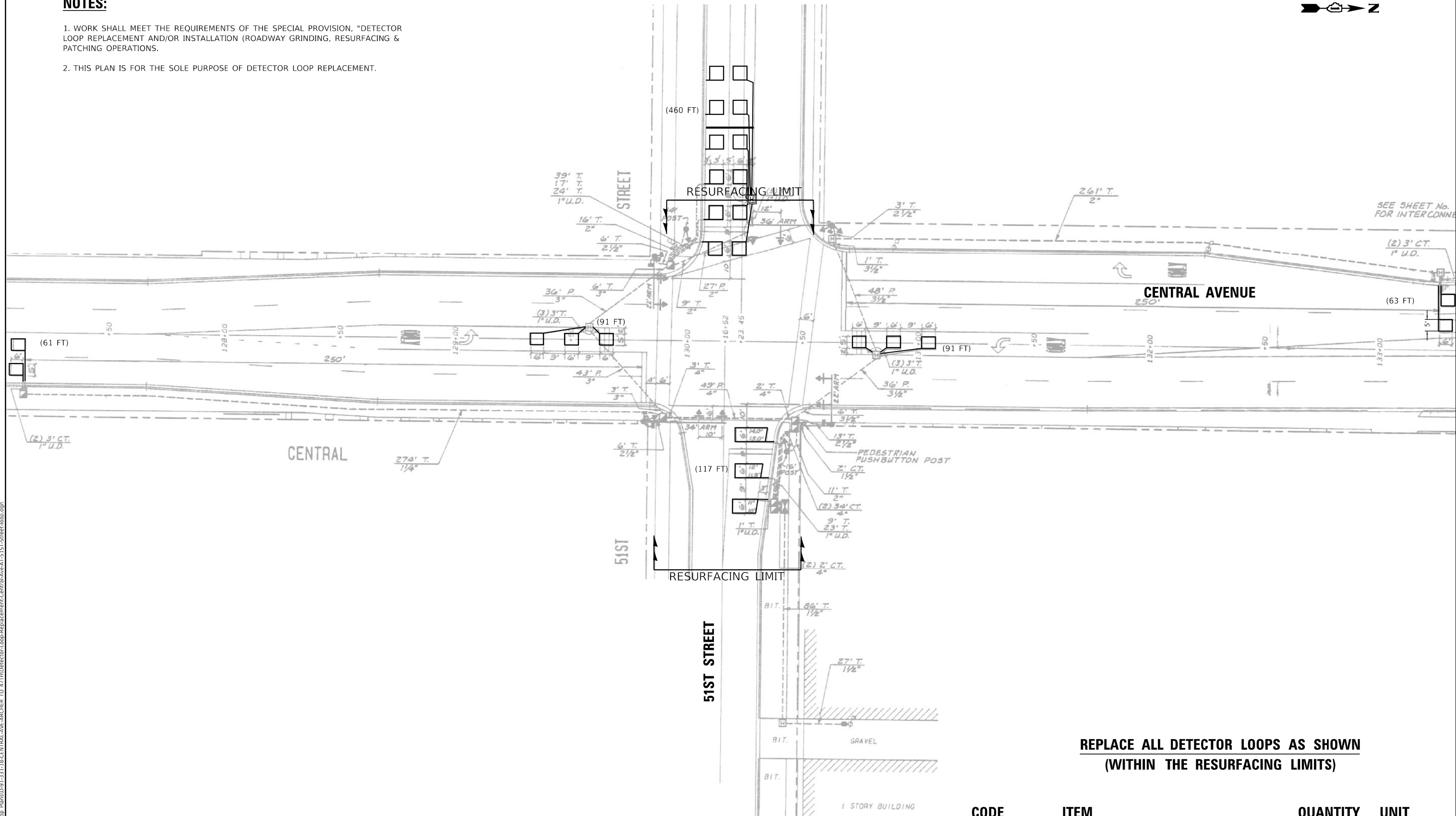
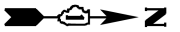
SCALE: SHEET OF SHEETS STA. TO STA.

F.A.P. RTE.	SECTION	COUNTY	TOTAL SHEETS	SHEET NO.
366	2018-020-R5-SW	COOK	33	16
CONTRACT NO. 62G70				
ILLINOIS FED. AID PROJECT				

MODEL: Default
 FILE: h:\mfc_p\pub\baroncom.dwg\illinois\p\WIDDOT\Documents\DOT_Offices\Detailer_1\Projects\ID133118\CADDData\Design\ID133118-sh-detailed.dgn

NOTES:

1. WORK SHALL MEET THE REQUIREMENTS OF THE SPECIAL PROVISION, "DETECTOR LOOP REPLACEMENT AND/OR INSTALLATION (ROADWAY GRINDING, RESURFACING & PATCHING OPERATIONS).
2. THIS PLAN IS FOR THE SOLE PURPOSE OF DETECTOR LOOP REPLACEMENT.



**REPLACE ALL DETECTOR LOOPS AS SHOWN
(WITHIN THE RESURFACING LIMITS)**

CODE	ITEM	QUANTITY	UNIT
88600600	DETECTOR LOOP REPLACEMENT	883	FOOT

MODEL: Default
 FILE NAME: 3:WPDesign\KK\Detector Loop Plans\01-1311-18-CENTRAL-AVE-ARC\HER TO 47TH\Detector Loop Replacement-Central-Ave-AT-51ST-Street-Loop.dgn

USER NAME = koby/kaka	DESIGNED - KK	REVISED -
	DRAWN - KK	REVISED -
PLOT SCALE = 40.0000' / 1"	CHECKED - LP	REVISED -
PLOT DATE = 3/7/2019	DATE - 01/16/2019	REVISED -

**STATE OF ILLINOIS
DEPARTMENT OF TRANSPORTATION**

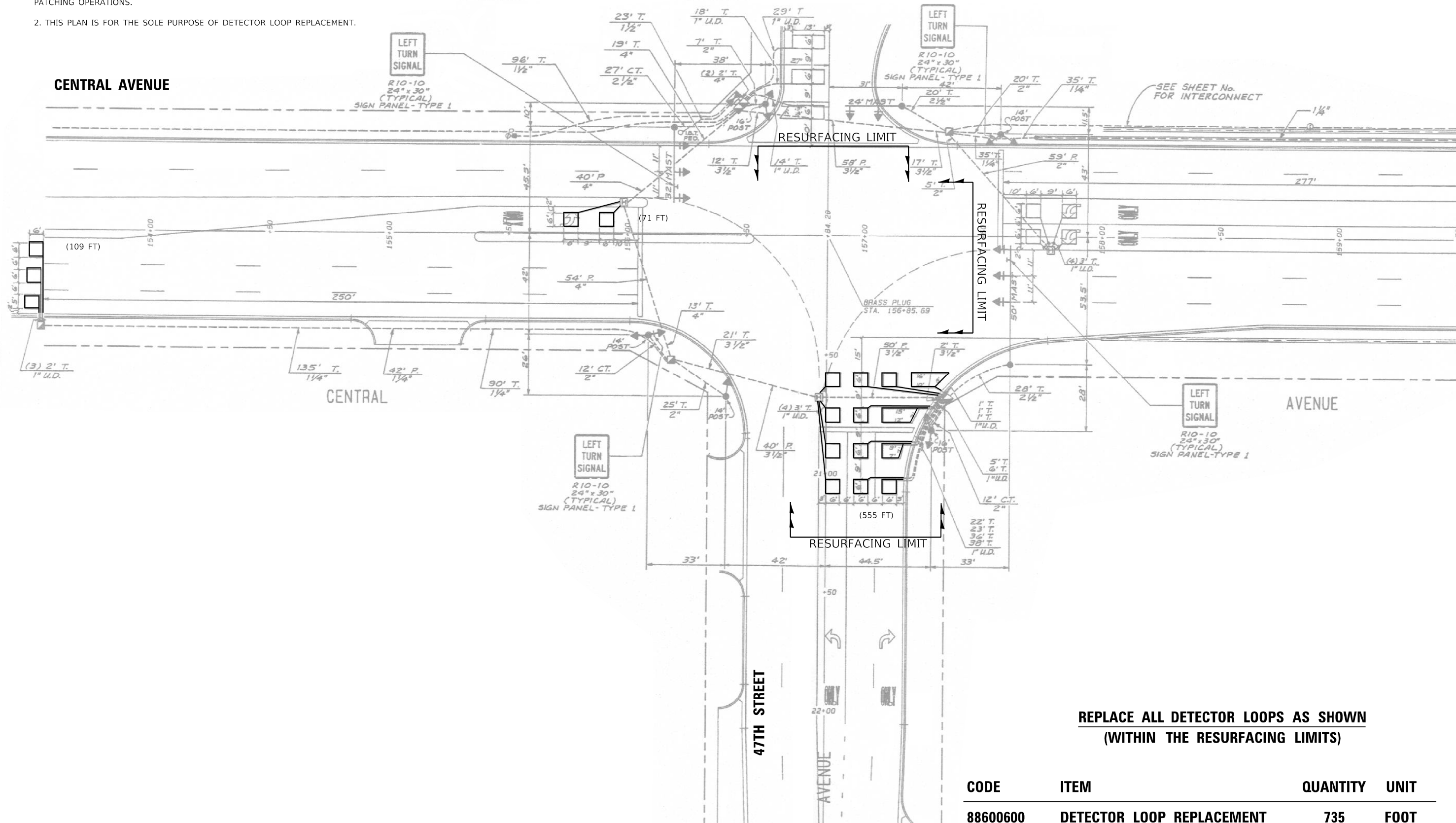
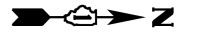
**DETECTOR LOOP REPLACEMENT PLAN
CENTRAL AVENUE AT 51ST STREET**

SCALE: 1"=20' SHEET OF SHEETS STA. TO STA.

F.A.U. RTE.	SECTION	COUNTY	TOTAL SHEETS	SHEET NO.
366	2018-020-R5-SW	COOK	33	17
ILLINOIS FED. AID PROJECT			CONTRACT NO. 62G70	

NOTES:

1. WORK SHALL MEET THE REQUIREMENTS OF THE SPECIAL PROVISION, "DETECTOR LOOP REPLACEMENT AND/OR INSTALLATION (ROADWAY GRINDING, RESURFACING & PATCHING OPERATIONS).
2. THIS PLAN IS FOR THE SOLE PURPOSE OF DETECTOR LOOP REPLACEMENT.



**REPLACE ALL DETECTOR LOOPS AS SHOWN
(WITHIN THE RESURFACING LIMITS)**

CODE	ITEM	QUANTITY	UNIT
88600600	DETECTOR LOOP REPLACEMENT	735	FOOT

MODEL: Default
FILE NAME: C:\Users\koby\kaka\Desktop\DetectorLoopReplacement\CenterAve-at-47thStreet-Loop.dgn

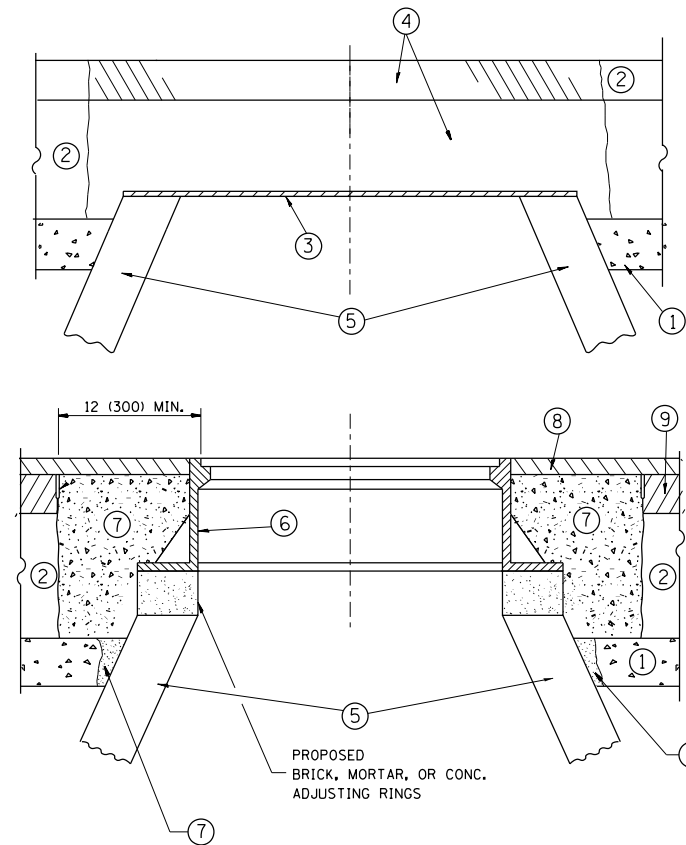
USER NAME = koby/kaka	DESIGNED - KK	REVISED -
	DRAWN - KK	REVISED -
PLOT SCALE = 40.0000' / 1"	CHECKED - LP	REVISED -
PLOT DATE = 1/16/2019	DATE - 01/16/2019	REVISED -

**STATE OF ILLINOIS
DEPARTMENT OF TRANSPORTATION**

**DETECTOR LOOP REPLACEMENT PLAN
CENTRAL AVENUE AT 47TH STREET**

SCALE: 1"=20' SHEET OF SHEETS STA. TO STA.

F.A.U. RTE.	SECTION	COUNTY	TOTAL SHEETS	SHEET NO.
366	2018-020-R5-SW	COOK	33	18
ILLINOIS FED. AID PROJECT			CONTRACT NO. 62G70	



CONSTRUCTION PROCEDURES

STAGE 1 (BEFORE PAVEMENT MILLING)

- A) REMOVE A MINIMUM OF 12 (300) OF THE PAVEMENT FROM AROUND THE STRUCTURE.
- B) REMOVE THE EXISTING FRAME AND LID FROM THE STRUCTURE.
- C) COVER THE STRUCTURE OPENING WITH A 36 (900) DIAMETER METAL PLATE.
- D) BACKFILL WITH CRUSHED STONE AND A MINIMUM 1/2 (40) THICK HMA SURFACE MIX APPROVED BY THE ENGINEER.

STAGE 2 (AFTER PAVEMENT MILLING)

- A) REMOVE THE HMA SURFACE MIX AND CRUSHED STONE.
- B) INSTALL THE FRAME AND LID; ADJUST THE FRAME TO ITS FINAL SURFACE ELEVATION.
- C) THE SURROUNDING SPACE SHALL BE FILLED WITH CLASS PP-1* CONCRETE TO THE ELEVATION OF THE SURFACE OF THE EXISTING BASE COURSE OR THE BINDER COURSE.

* UNLESS OTHERWISE SPECIFIED IN THE PLANS.

THE PROCEDURE EXPLAINED ABOVE SHALL CONFORM TO THE APPLICABLE PORTIONS OF SECTIONS 353, 406, 602, AND 603 OF THE STANDARD SPECIFICATIONS EXCEPT THAT "THE CONTRACTOR SHALL ADJUST THE STRUCTURES TO THE FINISHED PAVEMENT ELEVATION NO MORE THAN 5 CALENDAR DAYS PRIOR TO PLACEMENT OF THE FINAL LIFT OF SURFACE UNLESS APPROVED BY THE ENGINEER."

LEGEND

- ① SUB-BASE GRANULAR MATERIAL
- ② EXISTING PAVEMENT
- ③ 36 (900) DIAMETER METAL PLATE
- ④ PROPOSED CRUSHED STONE AND HMA SURFACE MIX
- ⑤ EXISTING STRUCTURE
- ⑥ FRAME AND LID (SEE NOTES)
- ⑦ CLASS PP-1* CONCRETE
- ⑧ PROPOSED HMA SURFACE COURSE
- ⑨ PROPOSED HMA BINDER COURSE

LOCATION OF STRUCTURES:

THE CONTRACTOR WILL BE REQUIRED TO KEEP A RECORD OF THE LOCATIONS OF THE BURIED STRUCTURES ACCORDING TO THE STATION AND DISTANCE LEFT OR RIGHT OF THE CENTERLINE OF PAVEMENT. UPON COMPLETION OF THE WORK, THE CONTRACTOR WILL DELIVER THE RECORD TO THE ENGINEER.

BASIS OF PAYMENT:

REMOVING FRAMES AND LIDS ON DRAINAGE AND UTILITY STRUCTURES IN THE PAVEMENT PRIOR TO MILLING, AND ADJUSTING TO FINAL GRADE PRIOR TO PLACING THE SURFACE COURSE, WILL BE PAID FOR AT THE CONTRACT UNIT PRICE EACH FOR "FRAMES AND LIDS TO BE ADJUSTED (SPECIAL)."

THIS WORK WILL NOT BE PAID FOR WHEN DRAINAGE AND UTILITY STRUCTURES ARE SPECIFIED FOR PAYMENT AS STRUCTURE RECONSTRUCTION.

NEW FRAMES AND LIDS, WHEN SPECIFIED, WILL BE PAID FOR SEPARATELY.

NOTES:

EXISTING BROKEN FRAMES AND LIDS SHALL BE REMOVED AND DISPOSED OF BY THE CONTRACTOR AND SHALL BE REPLACED AS DIRECTED BY THE ENGINEER. REPLACEMENT FRAMES AND LIDS WILL BE PAID FOR IN ACCORDANCE WITH ARTICLE 109.04 OF THE STANDARD SPECIFICATIONS UNLESS A SEPARATE PAY ITEM HAS BEEN PROVIDED.

IF THE EXISTING LIDS ARE OPEN, THE FRAME WILL BE ADJUSTED TO THE ELEVATION OF THE MILLED PAVEMENT SURFACE PRIOR TO THE MILLING OPERATION. THE FRAME WILL NOT BE REMOVED AND COVERED BY THE METAL PLATE.

CITY OF CHICAGO CASTINGS ARE THE PROPERTY OF THE CITY AND THE CONTRACTOR SHALL NOTIFY THE CITY FOR REMOVAL AND DISPOSITION OF THE CASTINGS.

THE METAL PLATE USED TO COVER THE STRUCTURE SHALL REMAIN THE PROPERTY OF THE CONTRACTOR.

WHEN STRUCTURES ARE TO BE ADJUSTED OR RECONSTRUCTED, THE LOWERING AND RAISING OF THE FRAMES AND LIDS WILL NOT BE PAID FOR SEPARATELY BUT WILL BE INCLUDED IN THE COST OF THE CORRESPONDING PAY ITEM.

DETAILS FOR FRAMES AND LIDS ADJUSTMENT WITH MILLING

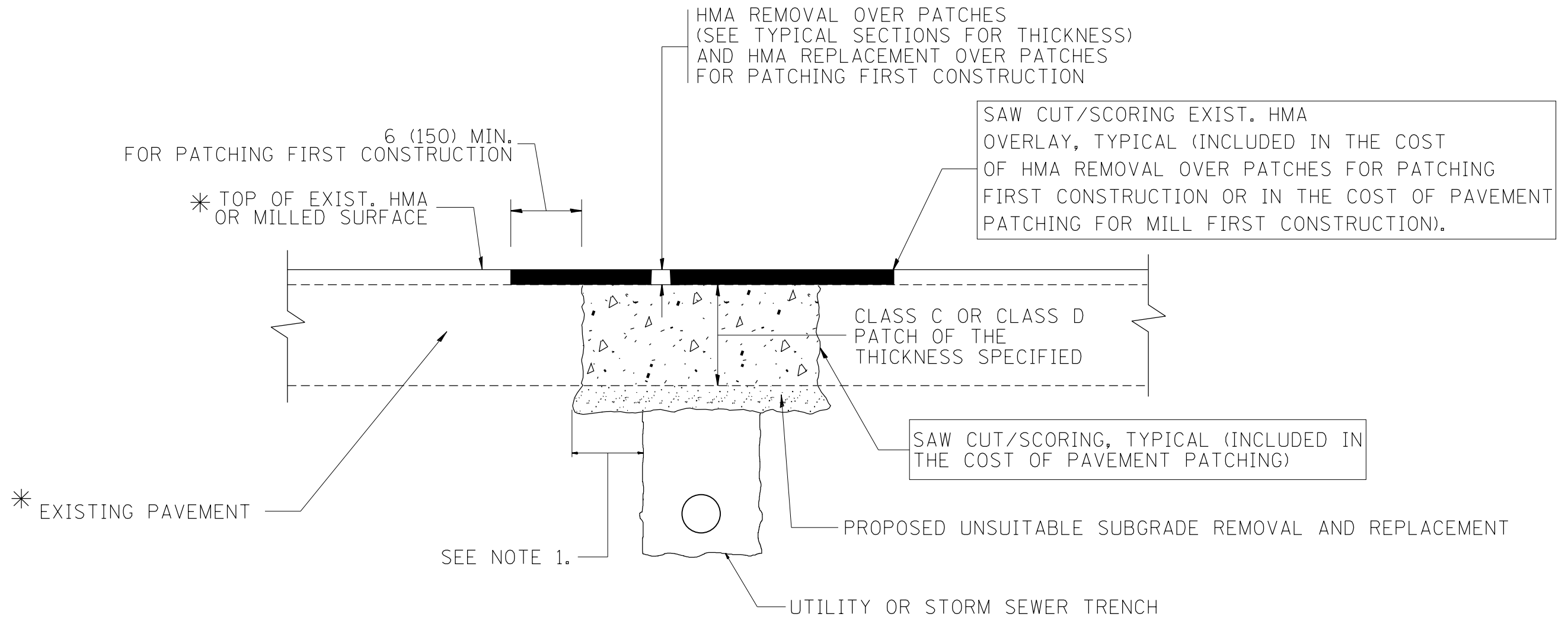
ALL DIMENSIONS ARE IN INCHES (MILLIMETERS) UNLESS OTHERWISE SHOWN

FILE NAME =	USER NAME = paraynoal	DESIGNED - R. SHAH	REVISED - R. WIEDEMAN 05-14-04
pw:\planroom.dot.illinois.gov\PWIDOT\Documents\IDOT Offices\District 1\Projects\013318\DRAWING\Design\DistStd.dgn			REVISED - R. BORO 01-01-07
	PLOT SCALE = 100.0000' / 1in.	CHECKED -	REVISED - R. BORO 03-09-11
	PLOT DATE = 5/16/2019	DATE - 10-25-94	REVISED - R. BORO 12-06-11

**STATE OF ILLINOIS
DEPARTMENT OF TRANSPORTATION**

DETAILS FOR FRAMES AND LIDS ADJUSTMENT WITH MILLING			
SCALE: NONE	SHEET NO. 1 OF 1 SHEETS	STA.	TO STA.

F.A.P. RTE.	SECTION	COUNTY	TOTAL SHEETS	SHEET NO.
366	2018-020-R5-SW	COOK	33	19
BD600-03 (BD-8)		CONTRACT NO. 62G70		
FED. ROAD DIST. NO. 1 ILLINOIS FED. AID PROJECT				



* SEE TYPICAL SECTIONS FOR THICKNESS AND MATERIALS

NOTES:

1. THE WIDTH OF THE FULL DEPTH PATCH OVER A TRENCH SHALL BE 12 (300) WIDER ON EACH SIDE OF THE TRENCH.
2. FOR METHOD OF MEASUREMENT AND BASIS OF PAYMENT, SEE RECURRING SPECIAL PROVISION "PATCHING WITH HOT-MIX ASPHALT OVERLAY REMOVAL".

SEQUENCE OF CONSTRUCTION (PATCHING FIRST)

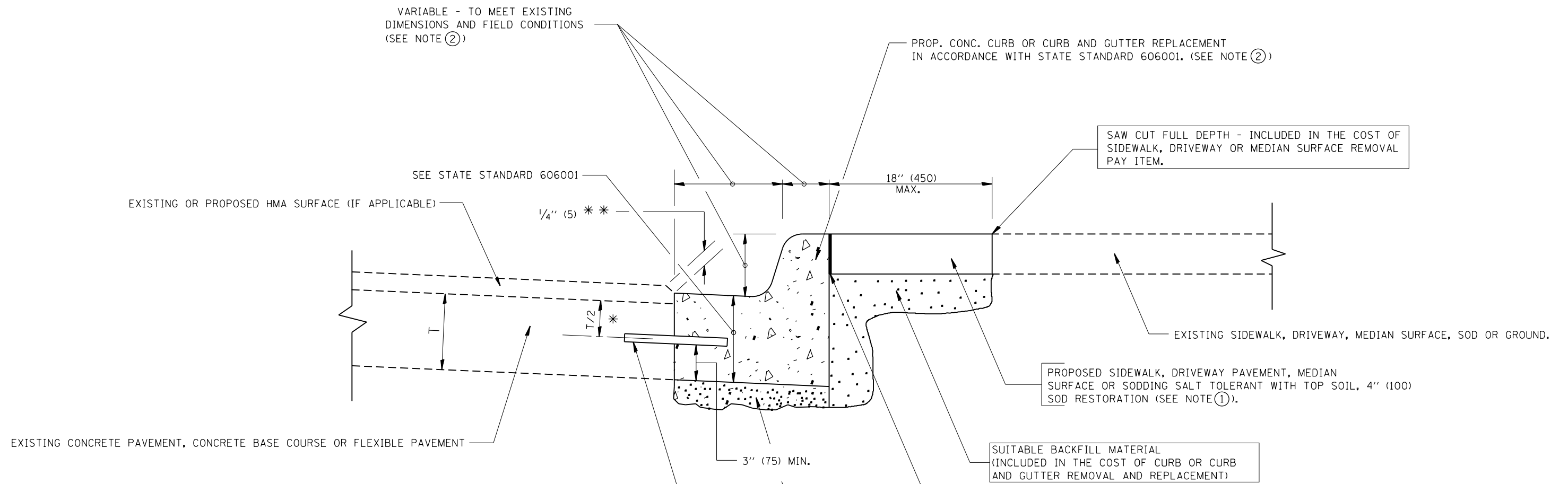
1. REMOVE THE EXISTING HMA MATERIAL OVER THE AREA TO BE PATCHED.
2. REMOVE AND REPLACE WITH CLASS C OR D PATCH.
3. REPLACE HMA MATERIAL OVER THE AREA TO BE PATCHED.

SEQUENCE OF CONSTRUCTION (MILLING FIRST)

1. MILL HMA FIRST IF THERE IS AT LEAST 4 1/2 INCHES OR MORE OF HMA MATERIAL ON TOP OF THE EXISTING PAVEMENT OR IF THE PAVEMENT IS FULL DEPTH HMA. A MINIMUM OF 2 INCHES OF HMA MATERIAL SHALL BE IN PLACE AFTER MILLING.
2. REMOVE AND REPLACE WITH FULL DEPTH CLASS D PATCHES TO TOP OF MILLED SURFACE.

ALL DIMENSIONS ARE IN INCHES (MILLIMETERS) UNLESS OTHERWISE SHOWN.

FILE NAME =	USER NAME = paraynoal	DESIGNED - R. SHAH	REVISED - A. ABBAS 04-27-98	STATE OF ILLINOIS DEPARTMENT OF TRANSPORTATION	PAVEMENT PATCHING FOR HMA SURFACED PAVEMENT			F.A.P. RTE.	SECTION	COUNTY	TOTAL SHEETS	SHEET NO.
pw:\planroom.dot.illinois.gov\PIDOT\Documents\IDOT Offices\District 1\Projects\013318\DRAWING\Design\DistStd.dgn	PLOT SCALE = 100.0000' / 1in.	CHECKED -	REVISED - R. BORO 01-01-07					366	2018-020-R5-SW	COOK	33	20
PLOT DATE = 5/16/2019	DATE - 10-25-94	REVISED - R. BORO 09-04-07	REVISED - K. ENG 10-27-08		BD400-04 (BD-22)			CONTRACT NO. 62G70				
					SCALE: NONE	SHEET NO. 1 OF 1 SHEETS	STA.	TO STA.		FED. ROAD DIST. NO. 1 ILLINOIS FED. AID PROJECT		



- * 3" (75) MINIMUM FROM TOP AND BOTTOM OF THE CONCRETE PAVEMENT OR BASE COURSE.
 - ** IF THE FINAL SURFACE OF THE PAVEMENT IS CONCRETE, THE GUTTER IS TO BE FLUSH WITH THE PAVEMENT.
- NOTE: ① SIDEWALK, DRIVEWAY PAVEMENT OR MEDIAN SURFACE SHALL BE SIMILAR TO THE MATERIAL BEING REMOVED AND WILL BE PAID FOR SEPARATELY.
- SODDING, SALT TOLERANT AND TOP SOIL, FURNISH AND PLACE 4" WILL BE PAID FOR SEPARATELY.
- ② FERTILIZER FOR THE PLACEMENT OF THE SOD IS NOT REQUIRED
 - ③ CURB OR CURB AND GUTTER REPLACEMENT SHALL MATCH THE SHAPE OF THE EXISTING CURB OR CURB AND GUTTER UNLESS OTHERWISE SPECIFIED.
 - ④ FOR CURB OR CURB AND GUTTER REMOVAL AND REPLACEMENT ADJACENT TO FLEXIBLE PAVEMENT DELETE EPOXY COATED TIE BARS.
 - ⑤ LONGITUDINAL BARS, IF ENCOUNTERED IN THE EXISTING CURB OR CURB AND GUTTER, ARE NOT TO BE REPLACED. CUTTING AND REMOVING LONGITUDINAL BARS SHALL BE INCLUDED IN THE COST OF CURB OR CURB AND GUTTER REMOVAL AND REPLACEMENT.
 - ⑥ THE COST OF HMA SURFACE REMOVAL IN THE EXISTING GUTTER FLAG SHALL BE INCLUDED IN THE COST OF THE CURB AND GUTTER REMOVAL AND REPLACEMENT.
 - ⑦ THE REMOVAL AND REPLACEMENT OF THE EXISTING CURB OR CURB AND GUTTER SHALL BE DONE IN ACCORDANCE WITH THE APPLICABLE PORTIONS OF SECTION 440 AND 606 OF THE STANDARD SPECIFICATIONS.
 - ⑧ THE LOCATIONS OF REMOVAL AND REPLACEMENT OF EXISTING CURB OR CURB AND GUTTER SHALL BE DETERMINED BY THE RESIDENT ENGINEER AT THE TIME OF CONSTRUCTION.

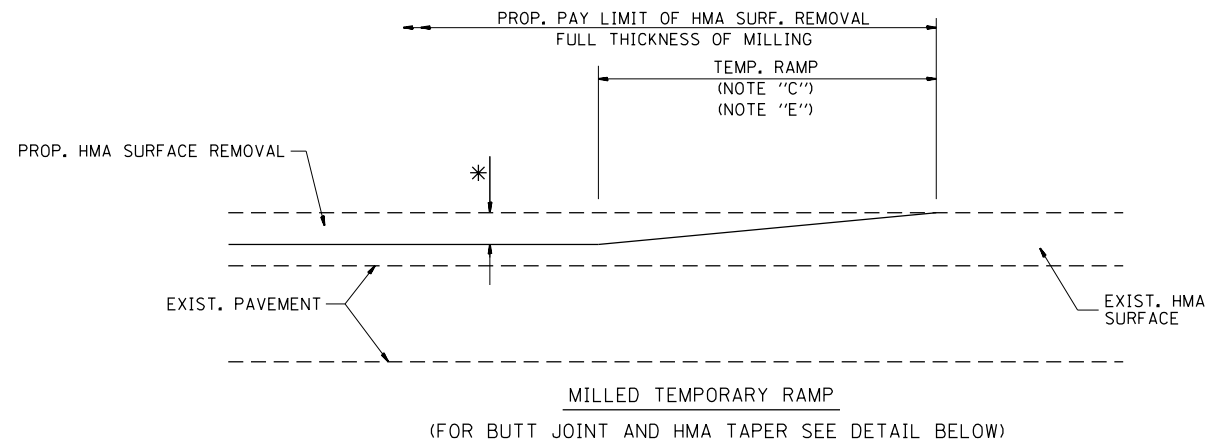
- PROPOSED 3/4" (20) PREFORMED EXPANSION JOINT AT CONCRETE SIDEWALKS, DRIVEWAYS, AND MEDIANS. (INCLUDED IN THE COST OF CURB OR CURB AND GUTTER REMOVAL AND REPLACEMENT.)
- UNSUITABLE SUB-BASE MATERIAL TO BE REMOVED, IF DIRECTED BY THE ENGINEER, SHALL BE REPLACED WITH EITHER SUB-BASE GRANULAR MATERIAL, TYPE B OR ADDITIONAL THICKNESS OF CONCRETE.
- REMOVAL AND REPLACEMENT 4" (100) OR LESS IS INCLUDED IN THE COST OF CURB OR CURB AND GUTTER REMOVAL AND REPLACEMENT.
- REMOVAL AND REPLACEMENT IN EXCESS OF 4" (100) WILL BE PAID FOR IN ACCORDANCE WITH ARTICLE 109.04 OF THE STANDARD SPECIFICATIONS.
- PROPOSED #6 (20) EPOXY COATED TIE BARS 24" (600) LONG AT 24" (600) CENTERS WILL NOT BE PAID FOR SEPARATELY. DELETE EPOXY COATED TIE BARS IF EXISTING TIE BARS ARE USUABLE AS DETERMINED BY THE ENGINEER. (SEE NOTE ③).

BASIS OF PAYMENT:
 THIS WORK WILL BE PAID FOR AT THE CONTRACT UNIT PRICE PER FOOT (METER) FOR "CURB REMOVAL AND REPLACEMENT" OR "COMBINATION CONCRETE CURB AND GUTTER REMOVAL AND REPLACEMENT".

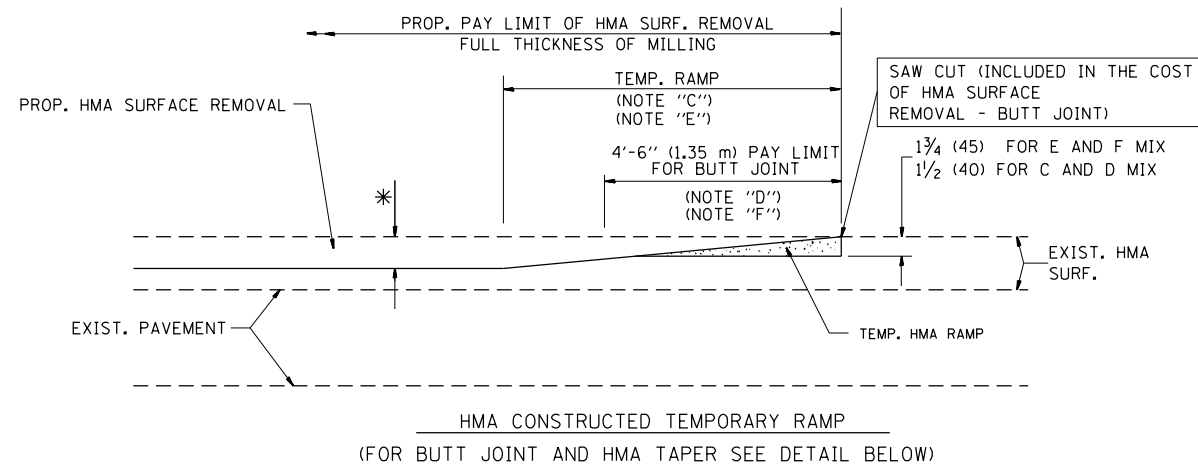
CURB OR CURB AND GUTTER REMOVAL AND REPLACEMENT

ALL DIMENSIONS ARE IN INCHES (MILLIMETERS) UNLESS OTHERWISE SHOWN.

FILE NAME =	USER NAME = paraynoal	DESIGNED - A. HOUSEH	REVISED - R. SHAH 10-03-96	STATE OF ILLINOIS DEPARTMENT OF TRANSPORTATION	CURB OR CURB AND GUTTER REMOVAL AND REPLACEMENT	F.A.P. RTE. 366	SECTION 2018-020-R5-SW	COUNTY COOK	TOTAL SHEETS 33	SHEET NO. 21	
			REVISED - A. ABBAS 03-21-97					BD600-06 (BD-24)		CONTRACT NO. 62G70	
			REVISED - M. GOMEZ 01-22-01					FED. ROAD DIST. NO. 1 ILLINOIS FED. AID PROJECT			
			REVISED - R. BORO 12-15-09								
PLOT SCALE = 100.0000' / 1in.		CHECKED -	DATE - 03-11-94	SCALE: NONE		SHEET NO. 1 OF 1 SHEETS		STA. TO STA.			

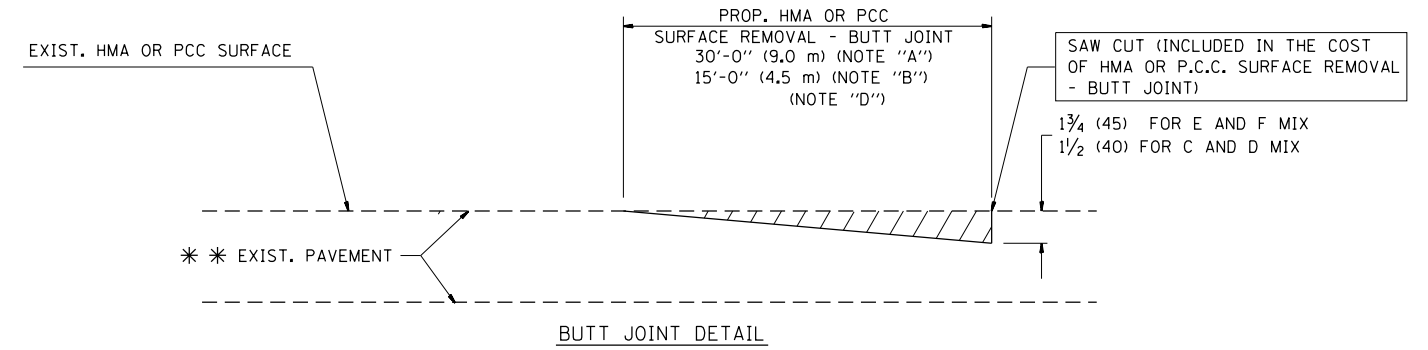


OPTION 1

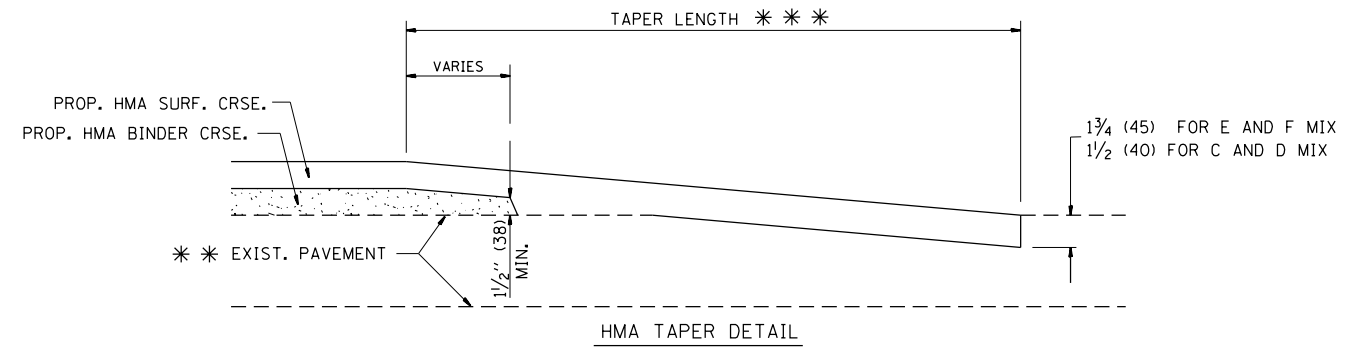


OPTION 2

TYPICAL TEMPORARY RAMP



BUTT JOINT DETAIL



HMA TAPER DETAIL

TYPICAL BUTT JOINT AND HMA TAPER FOR RESURFACING ONLY

*** PC CONCRETE, HMA OR HMA RESURFACED PAVEMENT.

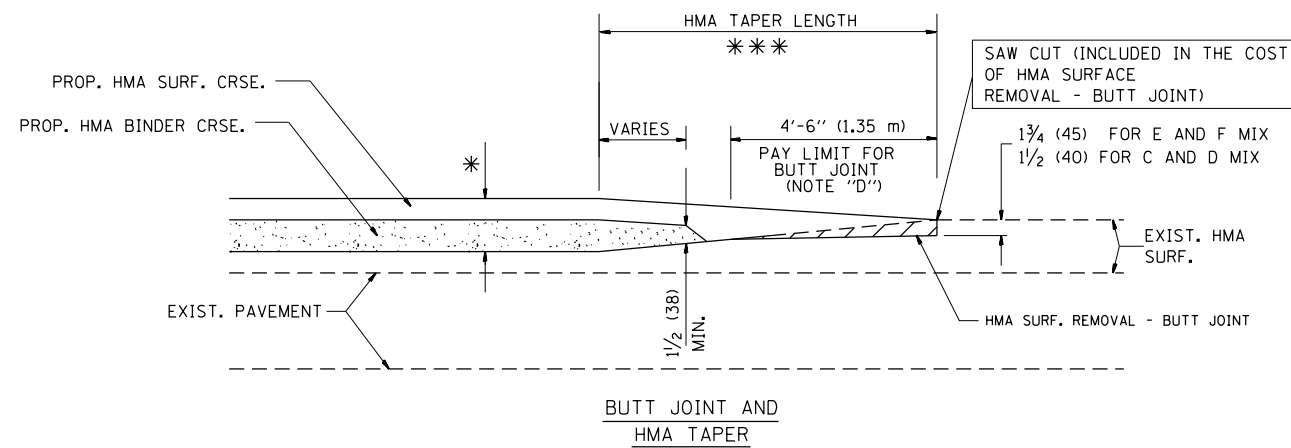
NOTES

- A: MAINLINE ROADWAYS AND MAJOR SIDE ROADS.
 - B: MINOR SIDE ROADS.
 - C: THE TEMP. RAMP SHALL BE CONSTRUCTED IMMEDIATELY UPON REMOVAL OF THE EXISTING HMA SURFACE.
 - D: THE BUTT JOINT SHALL BE CONSTRUCTED IMMEDIATELY PRIOR TO PLACING THE PROPOSED HMA COURSES.
 - E: TAPER THE TEMP. RAMP AT A RATE OF 3'-0" (900 mm) PER 1 INCH (25 mm) OF MILLING THICKNESS.
 - F: INSTALLATION AND REMOVAL OF THE 4'-6" (1.35 m) TEMP. RAMP IS INCLUDED IN COST OF HMA SURFACE REMOVAL - BUTT JOINT
 - G: SEE ARTICLE 406.08 AND 406.14 OF THE STANDARD SPECIFICATIONS FOR "HMA AND/OR PCC SURFACE REMOVAL, BUTT JOINT".
- * SEE TYPICAL SECTIONS FOR MILLING THICKNESS.
- *** 20'-0" (6.1 m) PER 1 (25) RESURFACING (NOTE "A")
10'-0" (3.0 m) PER 1 (25) RESURFACING (NOTE "B")

BASIS OF PAYMENT:

THE BUTT JOINT WILL BE PAID FOR AT THE CONTRACT UNIT PRICE PER SQUARE YARD (SQUARE METER) FOR "HOT-MIX ASPHALT SURFACE REMOVAL - BUTT JOINT" OR FOR "PORTLAND CEMENT CONCRETE SURFACE REMOVAL - BUTT JOINT".

ALL DIMENSIONS ARE IN INCHES (MILLIMETERS) UNLESS OTHERWISE SHOWN.



TYPICAL BUTT JOINT AND HMA TAPER FOR MILLING AND RESURFACING

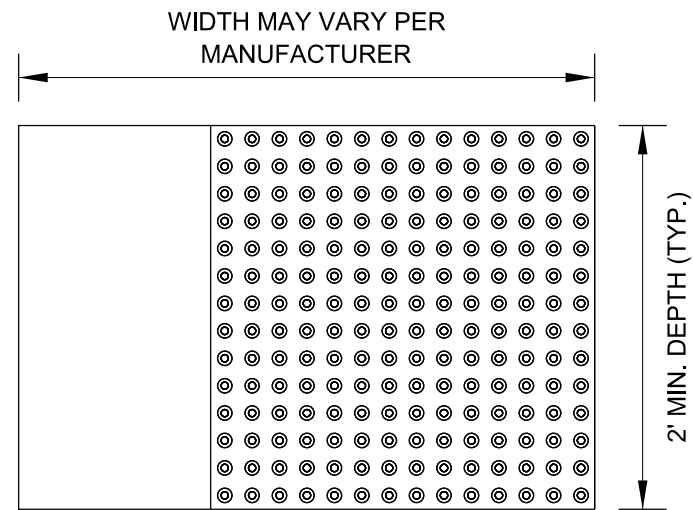
FILE NAME =	USER NAME = paraynoal	DESIGNED - M. DE YONG	REVISED - R. SHAH 10-25-94
pw:\planroom.dot.illinois.gov\PIDOT\Documents\IDOT Offices\District 1\Projects\0133118\DRAWING\Design\DistStd.dgn			REVISED - A. ABBAS 03-21-97
	PLOT SCALE = 100.0000' / in.	CHECKED -	REVISED - M. GOMEZ 04-06-01
	PLOT DATE = 5/16/2019	DATE - 06-13-90	REVISED - R. BORO 01-01-07

**STATE OF ILLINOIS
DEPARTMENT OF TRANSPORTATION**

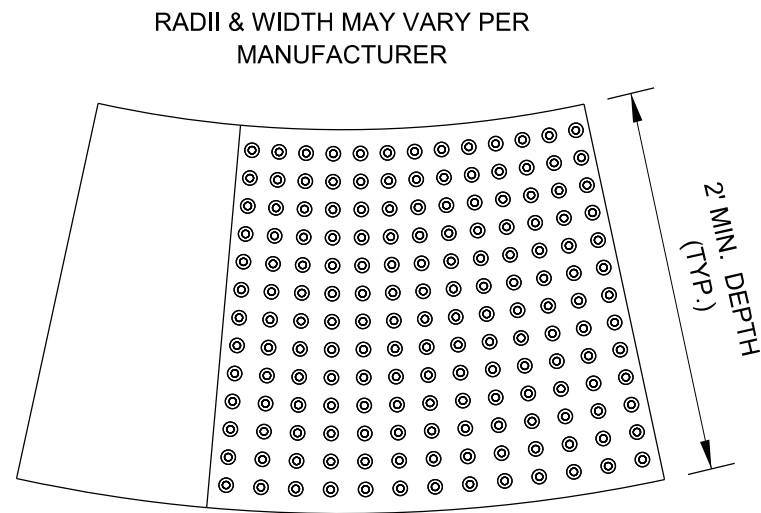
BUTT JOINT AND HMA TAPER DETAILS	
SCALE: NONE	SHEET NO. 1 OF 1 SHEETS
STA.	TO STA.

F.A.P. RTE.	SECTION	COUNTY	TOTAL SHEETS	SHEET NO.
366	2018-020-R5-SW	COOK	33	22
BD400-05 BD32		CONTRACT NO. 62G70		
FED. ROAD DIST. NO. 1 ILLINOIS FED. AID PROJECT				

STRAIGHT DETECTABLE WARNING UNITS



RADIAL DETECTABLE WARNING UNITS

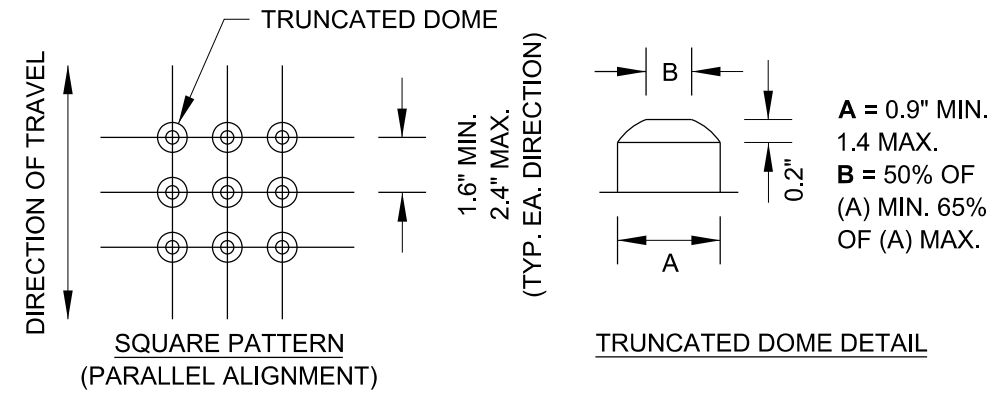


DETECTABLE WARNING UNIT SIZES

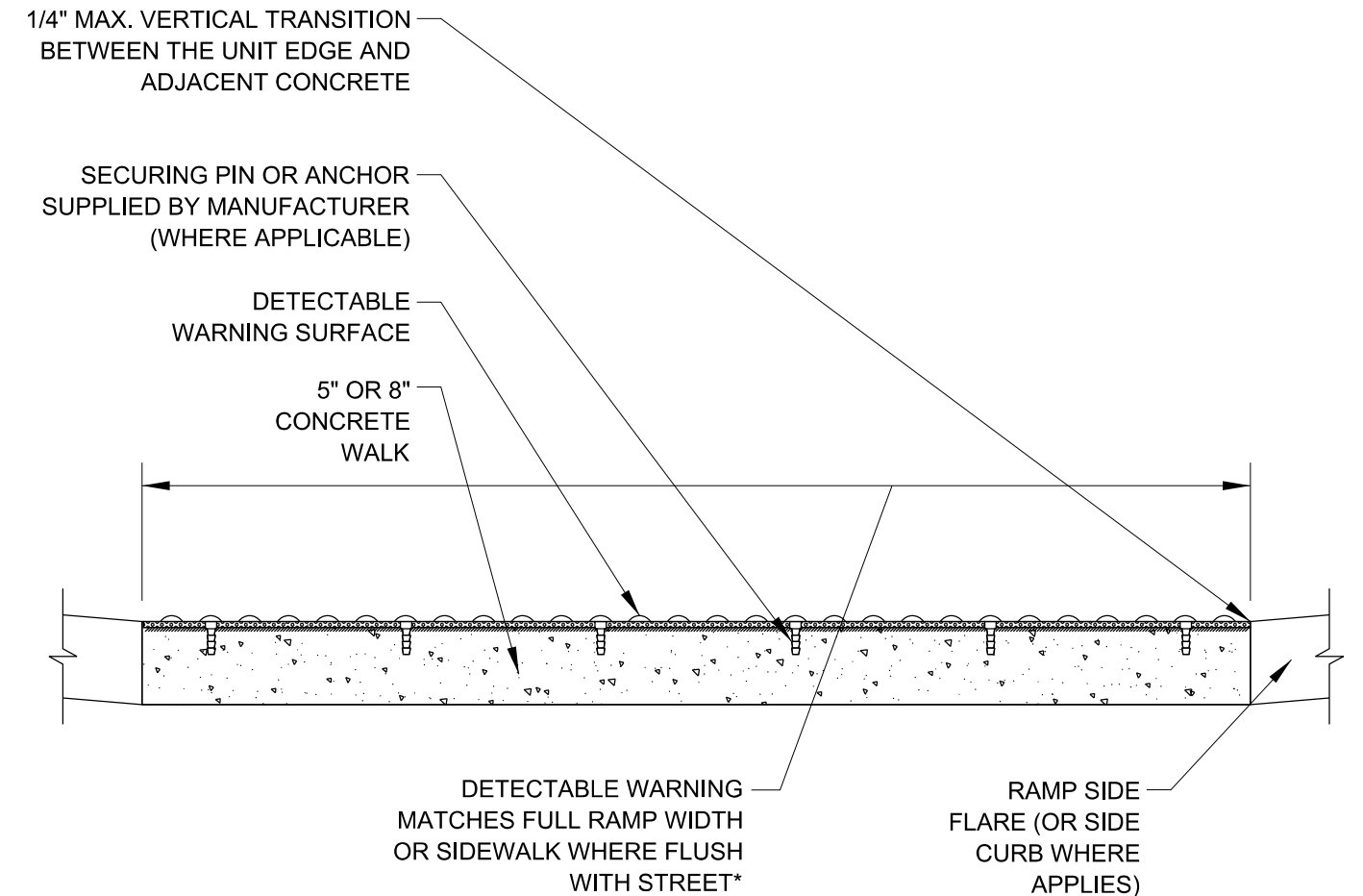
- VERIFY ALL DIMENSIONS WITH THE PRODUCT MANUFACTURER.
- IF USING RADIAL UNITS, VERIFY THAT THE CURB RADIUS MATCHES AVAILABLE UNIT RADII WITH THE PRODUCT MANUFACTURER.

GENERAL NOTE:

THE ROWS OF DOMES IN THE DETECTABLE WARNING MATERIAL MUST BE ALIGNED WITH THE PATH OF WHEELCHAIR TRAVEL WHICH IS REQUIRED TO BE PERPENDICULAR TO THE GRADE BREAK AT THE BOTTOM OF THE RAMP TO PERMIT TRACKING BETWEEN DOME ROWS. ON BLENDED TRANSITIONS OR FLUSH TRANSITIONS, WHERE RADIAL UNITS ARE SITUATED ABOUT THE CURB RADIUS, DOME ORIENTATION IS NOT SIGNIFICANT.



UNIT PATTERN & DOME DETAIL

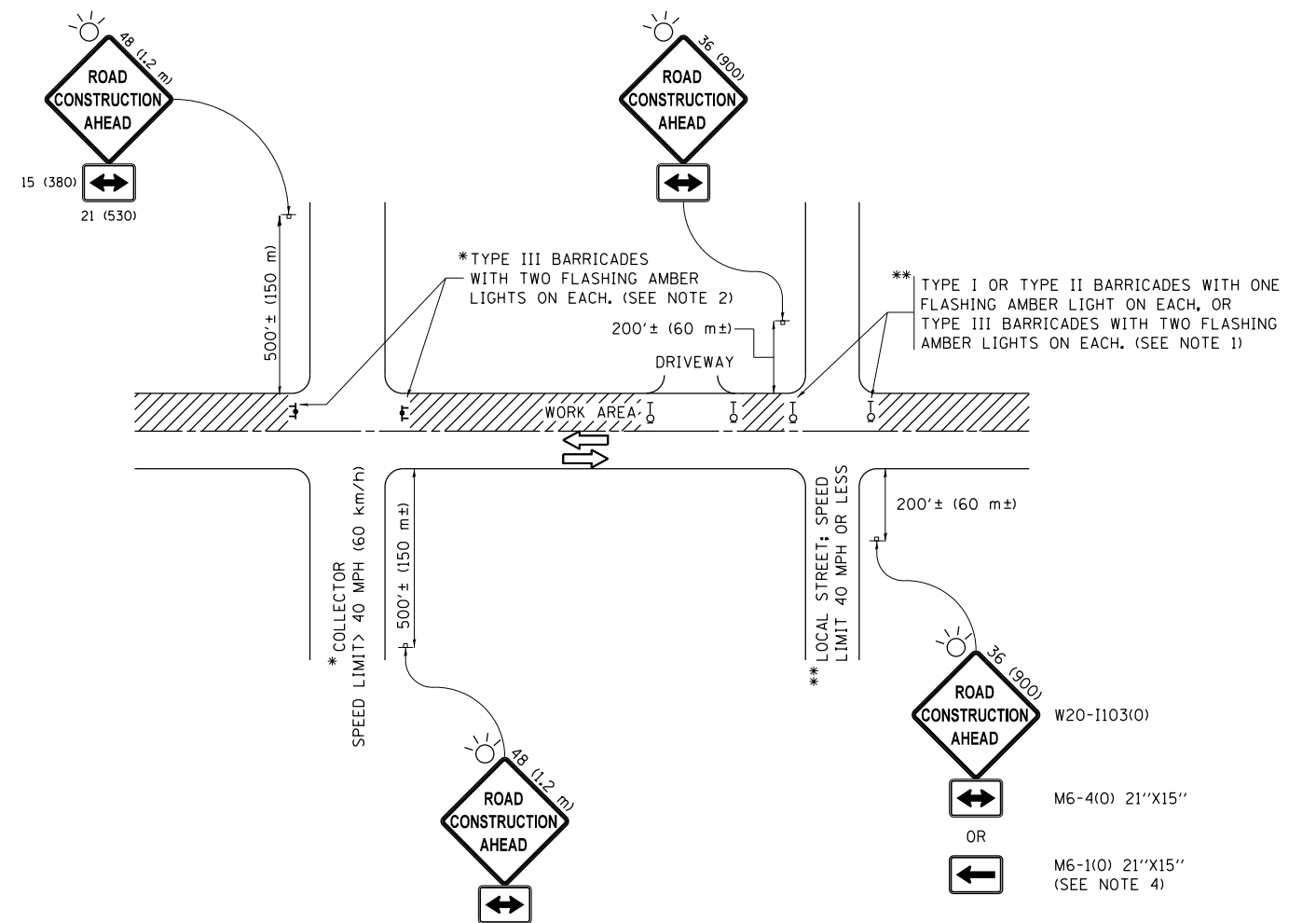


*A BORDER OF 2 INCHES OR LESS AROUND THE DETECTABLE WARNING SURFACE IS ACCEPTABLE IF REQUIRED FOR PROPER INSTALLATION OF THE DETECTABLE WARNING SURFACE PRODUCT

DETECTABLE WARNING UNIT SECTION

FILE NAME =	USER NAME = paraynoal	DESIGNED -	REVISED -	STATE OF ILLINOIS DEPARTMENT OF TRANSPORTATION	CITY OF CHICAGO DETECTABLE WARNINGS	F.A.P. RTE.	SECTION	COUNTY	TOTAL SHEETS	SHEET NO.
pw:\planroom.dot.illinois.gov\PIDOT\Documents\IDOT Offices\District 1\Projects\013318\DRAWING\Design\DistStd.dgn		CHECKED -	REVISED -			366	2018-020-R5-SW	COOK	33	23
Default	PLOT SCALE = 100.0000' / 1in.	DATE - 06-20-2017	REVISED -			BD 58		CONTRACT NO. 62G70		
	PLOT DATE = 5/16/2019					ILLINOIS FED. AID PROJECT				

SCALE: NONE SHEET 1 OF 1 SHEETS STA. TO STA.



NOTES:

1. SIDE ROAD WITH A SPEED LIMIT OF 40 MPH (60 km/h) OR LESS AS SHOWN ON THE DRAWING AND AS DIRECTED BY THE ENGINEER:
 - a) ONE "ROAD CONSTRUCTION AHEAD" SIGN 36 x 36 (900x900) WITH A FLASHER MOUNTED ON IT APPROXIMATELY 200' (60 m) IN ADVANCE OF THE MAIN ROUTE.
 - b) THE CLOSED PORTION OF THE MAIN ROUTE SHALL BE PROTECTED BY BLOCKING WITH TYPE I, TYPE II OR TYPE III BARRICADES, 1/3 OF THE CROSS SECTION OF THE CLOSED PORTION.
2. SIDE ROAD WITH A SPEED LIMIT GREATER THAN 40 MPH (60 km/h) AS SHOWN ON THE DRAWING AND AS DIRECTED BY THE ENGINEER:
 - a) ONE "ROAD CONSTRUCTION AHEAD" SIGN 48 x 48 (1.2 m x 1.2 m) WITH A FLASHER MOUNTED ON IT APPROXIMATELY 500' (150 m) IN ADVANCE OF THE MAIN ROUTE.
 - b) THE CLOSED PORTION OF THE MAIN ROUTE SHALL BE PROTECTED BY BLOCKING WITH TYPE III BARRICADES, 1/2 OF THE CROSS SECTION OF THE CLOSED PORTION.
3. CONES MAY BE SUBSTITUTED FOR BARRICADES OR DRUMS AT HALF THE SPACING DURING DAY OPERATIONS. CONES SHALL BE A MINIMUM OF 28 (710) IN HEIGHT.
4. WHEN THE SIDE ROAD LIES BETWEEN THE BEGINNING OF THE MAINLINE SIGNING AND THE WORK ZONE, A SINGLE HEADED ARROW (M6-1) SHALL BE USED IN LIEU OF THE DOUBLE HEADED ARROW (M6-4).
5. WHEN WORK IS BEING PERFORMED ON A SIDE ROAD OR DRIVEWAY, FOLLOW THE APPLICABLE STANDARD(S). THE DIRECTIONAL ARROW (M6-1 OR M6-4) SHALL BE COVERED OR REMOVED WHEN NO LONGER CONSISTENT WITH THE TRAFFIC CONTROL SET-UP.
6. ADVANCE WARNING SIGNS ARE TO BE OMITTED ON DRIVEWAYS UNLESS OTHERWISE SPECIFIED IN THE PLANS OR BY THE ENGINEER.
7. THE TRAFFIC CONTROL AND PROTECTION FOR SIDE ROADS, INTERSECTIONS, AND DRIVEWAYS SHALL BE INCLUDED IN THE COST OF SPECIFIED TRAFFIC CONTROL STANDARDS OR ITEMS.

All dimensions are in inches (millimeters) unless otherwise shown.

FILE NAME =	USER NAME = paraynoal	DESIGNED - L.H.A.	REVISED - A. HOUSEH 10-15-96
pw:\planroom.dot.illinois.gov\PIDOT\Documents\IDOT Offices\District 1\Projects\013318\DRAWING\Design\DistStd.dgn			REVISED - T. RAMMACHER 01-06-00
Default	PLOT SCALE = 100.0000' / in.	CHECKED -	REVISED - A. SCHUETZE 07-01-13
	PLOT DATE = 5/16/2019	DATE - 06-89	REVISED - A. SCHUETZE 09-15-16

**STATE OF ILLINOIS
DEPARTMENT OF TRANSPORTATION**

**TRAFFIC CONTROL AND PROTECTION FOR
SIDE ROADS, INTERSECTIONS, AND DRIVEWAYS**

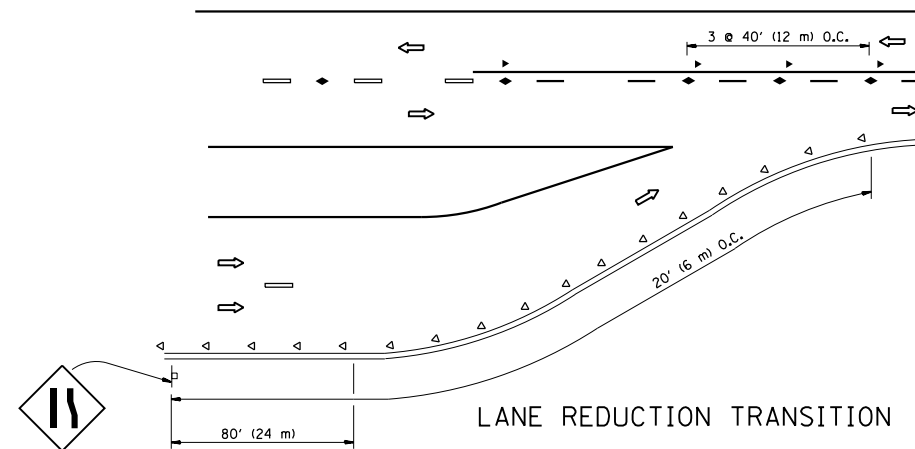
SCALE: NONE SHEET 1 OF 1 SHEETS STA. TO STA.

F.A.P. RTE.	SECTION	COUNTY	TOTAL SHEETS	SHEET NO.
366	2018-020-R5-SW	COOK	33	24
TC-10			CONTRACT NO. 62G70	
ILLINOIS FED. AID PROJECT				

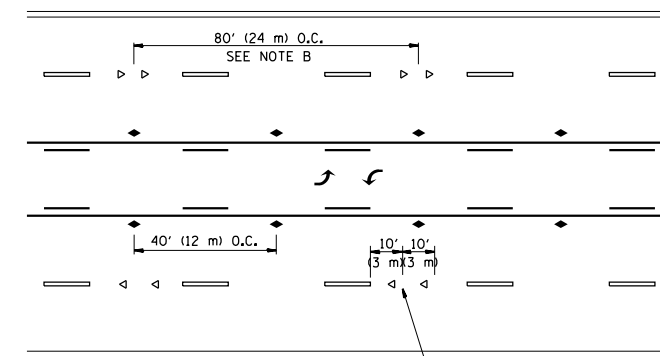


*** REDUCE TO 40' (12 m) O.C. ON CURVES WITH POSTED OR ADVISORY SPEED 45 M.P.H. (70 km/h) OR LESS.

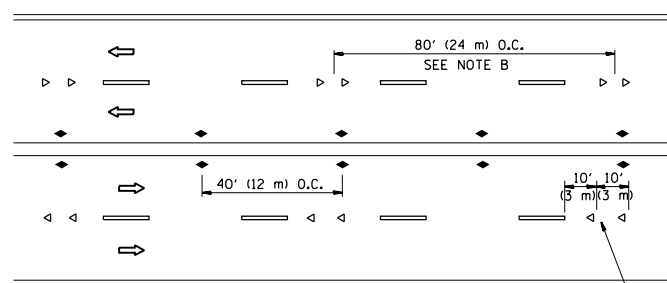
TWO-LANE/TWO-WAY



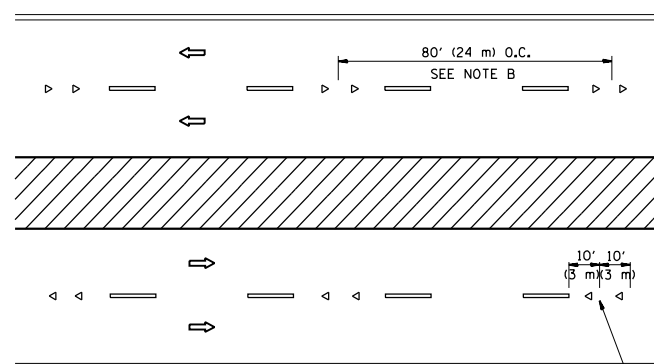
LANE REDUCTION TRANSITION



TWO-WAY LEFT TURN



MULTI-LANE/UNDIVIDED



MULTI-LANE/DIVIDED

GENERAL NOTES

1. MARKERS USED WITH DASHED LINES SHALL BE CENTERED IN THE GAP BETWEEN SEGMENTS.
2. MARKERS USED ADJACENT TO SOLID LINES SHALL BE OFFSET 2 TO 3 (50 TO 75) TOWARD TRAFFIC AS SHOWN.
3. MARKERS THROUGH TANGENTS LESS THAN 500' (150 m) IN LENGTH BETWEEN CURVES SHALL BE INSTALLED AT THE LESSER OF THE TWO CURVE SPACINGS.

SYMBOLS

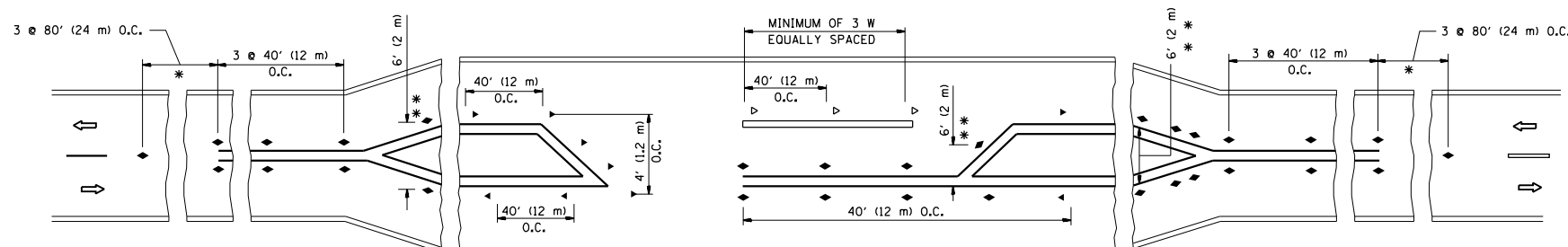
- YELLOW STRIPE
- WHITE STRIPE
- ◀ ONE-WAY AMBER MARKER
- ◁ ONE-WAY CRYSTAL MARKER (W/O)
- ◆ TWO-WAY AMBER MARKER

LANE MARKER NOTES

- A. USE DOUBLE LANE LINE MARKERS SPACED AS SHOWN.
- B. REDUCE TO 40' (12 m) O.C. ON CURVES WHERE ADVISORY SPEEDS ARE 10 M.P.H (20 km/h) LOWER THAN POSTED SPEEDS.

DESIGN NOTES

1. DOUBLE LANE LINE MARKERS SHALL BE USED UNLESS SPECIFIED OTHERWISE.
2. EXCEPT AS SHOWN ON THE LANE REDUCTION TRANSITION AND FREEWAY EXIT RAMP DETAIL, MARKERS ARE NOT TO BE SPECIFIED ON RIGHT EDGE LINES.
3. THE EXACT MARKER LIMITS, SPACING, AND COLOR SHALL BE INCLUDED IN THE PLANS WHEN STANDARD SPECIFICATIONS ARE NOT BEING USED.
4. MARKERS SHOULD NOT BE USED ALONGSIDE CURBS EXCEPT FOR EXTREMELY SHORT SECTIONS OF CURBS WHERE NOT MORE THAN TWO MARKERS WOULD BE INVOLVED.



LEFT TURN

* SEE TWO-LANE/TWO-WAY WHERE MARKERS CONTINUE
 ** WHERE THE MEDIAN WIDTH IS 6' (2 m) OR LESS USE TWO-WAY MARKERS.

All dimensions are in inches (millimeters) unless otherwise shown.

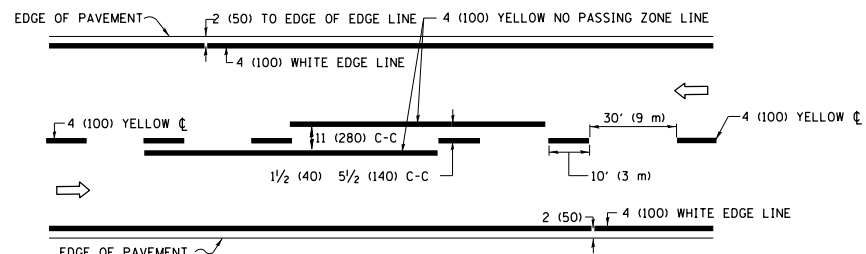
FILE NAME =	USER NAME = parayno1	DESIGNED -	REVISED - T. RAMMACHER 09-19-94
pw:\planroom.dot\illinois.gov\PIDOT\Documents\IDOT Offices\District 1\Projects\0133118\DRAWING\Design\DistStd.dgn		CHECKED -	REVISED - T. RAMMACHER 03-12-99
		DATE -	REVISED - T. RAMMACHER 01-06-00
			REVISED - C. JUCIUS 09-09-09

STATE OF ILLINOIS
 DEPARTMENT OF TRANSPORTATION

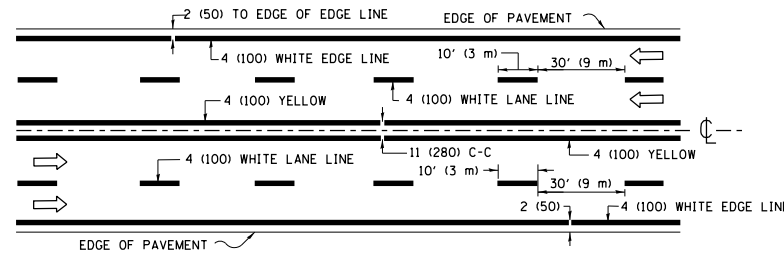
TYPICAL APPLICATIONS
 RAISED REFLECTIVE PAVEMENT MARKERS (SNOW-PLOW RESISTANT)

SCALE: NONE SHEET NO. 1 OF 1 SHEETS STA. TO STA.

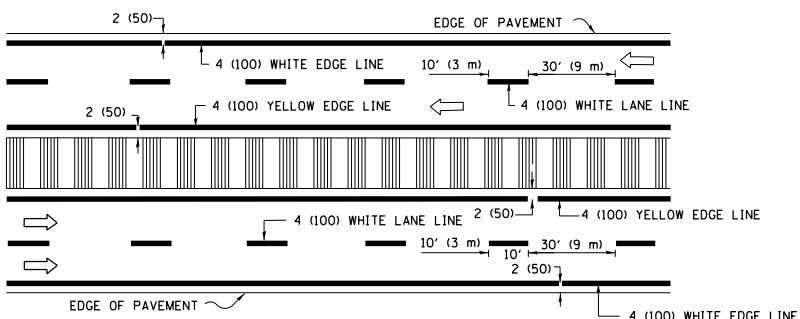
F.A.P. RTE.	SECTION	COUNTY	TOTAL SHEETS	SHEET NO.
366	2018-020-R5-SW	COOK	33	25
TC-11		CONTRACT NO. 62G70		
FED. ROAD DIST. NO. 1 ILLINOIS FED. AID PROJECT				



2-LANE ROADWAY

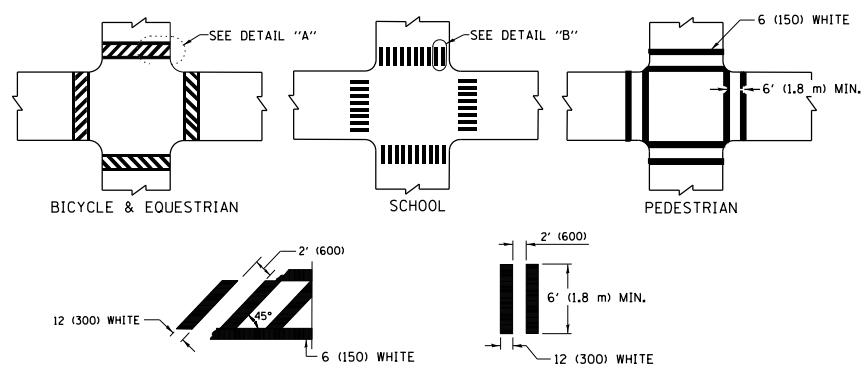


MULTI-LANE UNDIVIDED



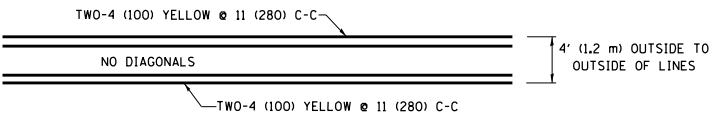
MULTI-LANE DIVIDED WITH MEDIAN

TYPICAL LANE AND EDGE LINE MARKING

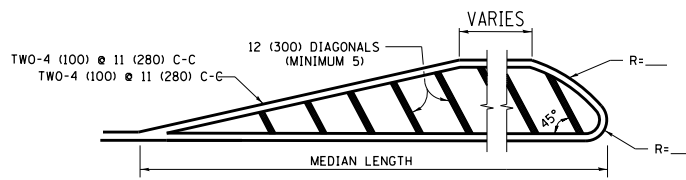


TYPICAL CROSSWALK MARKING

* MARKINGS SHALL BE INSTALLED PARALLEL TO THE CENTERLINE OF THE ROAD WHICH IT CROSSES

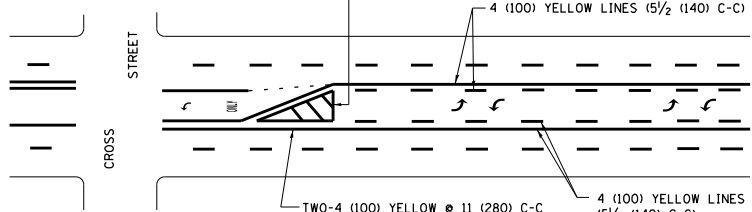


4' (1.2 m) WIDE MEDIANS ONLY

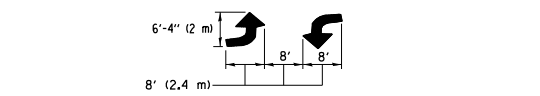


MEDIANS OVER 4' (1.2 m) WIDE

DIAGONAL LINE SPACING: 50' (15 m) C-C (LESS THAN 30MPH (50 km/h))
75' (25 m) C-C 30MPH (50 km/h) TO 45MPH (70 km/h)
150' (45 m) C-C (MORE THAN 45MPH (70 km/h))



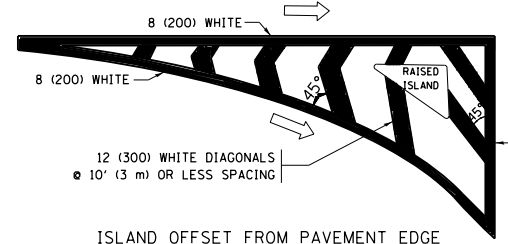
MEDIAN WITH TWO-WAY LEFT TURN LANE TYPICAL PAINTED MEDIAN MARKING



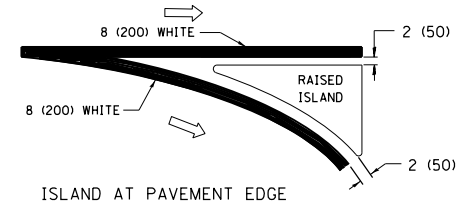
TYPICAL LEFT (OR RIGHT) TURN LANE

TYPICAL TURN LANE MARKING

FULL SIZE LETTERS 8' (2.4 m) AND ARROWS SHALL BE USED.
AREA = 15.6 SQ. FT. (1.5 m²) ONLY AREA = 20.8 SQ. FT. (1.9 m²)
* TURN LANES IN EXCESS OF 400' (120 m) IN LENGTH MAY HAVE AN ADDITIONAL SET OF ARROW - "ONLY" INSTALLED MIDWAY BETWEEN THE OTHER TWO SETS OF ARROW - "ONLY".

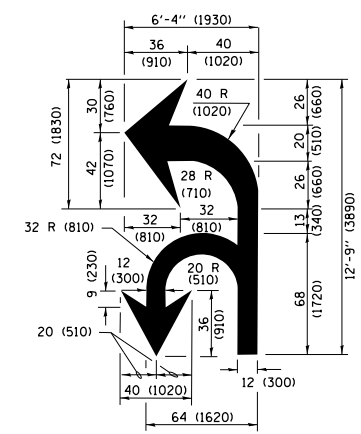


ISLAND OFFSET FROM PAVEMENT EDGE

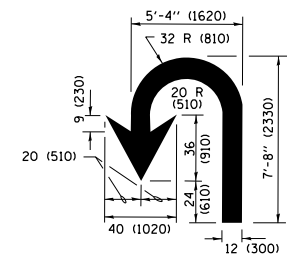


ISLAND AT PAVEMENT EDGE

TYPICAL ISLAND MARKING



COMBINATION LEFT AND U-TURN



U-TURN

LANE REDUCTION TRANSITION

* LANE REDUCTION ARROWS REQUIRED AT SPEEDS OF 45 MPH OR GREATER OR WHEN SPECIFIED IN PLANS.

D(FT)	SPEED LIMIT
345	30
425	35
500	40
580	45
665	50
750	55

TYPE OF MARKING	WIDTH OF LINE	PATTERN	COLOR	SPACING /REMARKS
CENTERLINE ON 2 LANE PAVEMENT	4 (100)	SKIP-DASH	YELLOW	10' (3 m) LINE WITH 30' (9 m) SPACE
CENTERLINE ON MULTI-LANE UNDIVIDED PAVEMENT	2 @ 4 (100)	SOLID	YELLOW	11 (280) C-C
NO PASSING ZONE LINES FOR ONE DIRECTION FOR BOTH DIRECTIONS	4 (100) 2 @ 4 (100)	SOLID SOLID	YELLOW YELLOW	5 1/2 (140) C-C FROM SKIP-DASH CENTERLINE 11 (280) C-C OMIT SKIP-DASH CENTERLINE BETWEEN
LANE LINES	4 (100) 5 (125) ON FREEWAYS	SKIP-DASH SKIP-DASH	WHITE WHITE	10' (3 m) LINE WITH 30' (9 m) SPACE
DOTTED LINES (EXTENSIONS OF CENTER, LANE OR TURN LANE MARKINGS)	SAME AS LINE BEING EXTENDED	SKIP-DASH	SAME AS LINE BEING EXTENDED	2' (600) LINE WITH 6' (1.8 m) SPACE
EDGE LINES	4 (100)	SOLID	YELLOW-LEFT WHITE-RIGHT	OUTLINE MEDIANS IN YELLOW
TURN LANE MARKINGS	6 (150) LINE; FULL SIZE LETTERS & SYMBOLS (8' (2.4m))	SOLID	WHITE	SEE TYPICAL TURN LANE MARKING DETAIL
TWO WAY LEFT TURN MARKING	2 @ 4 (100) EACH DIRECTION 8' (2.4m) LEFT ARROW	SKIP-DASH AND SOLID IN PAIRS	YELLOW WHITE	10' (3 m) LINE WITH 30' (9 m) SPACE FOR SKIP-DASH; 5 1/2 (140) C-C BETWEEN SOLID LINE AND SKIP-DASH LINE SEE TYPICAL TWO-WAY LEFT TURN MARKING DETAIL
CROSSWALK LINES (PEDESTRIAN) A. DIAGONALS (BIKE & EQUESTRIAN) B. LONGITUDINAL BARS (SCHOOL)	2 @ 6 (150) 12 (300) @ 45° 12 (300) @ 90°	SOLID SOLID SOLID	WHITE WHITE WHITE	NOT LESS THAN 6' (1.8 m) APART 2' (600) APART 2' (600) APART SEE TYPICAL CROSSWALK MARKING DETAILS.
STOP LINES	24 (600)	SOLID	WHITE	PLACE 4' (1.2 m) IN ADVANCE OF AND PARALLEL TO CROSSWALK, IF PRESENT, OTHERWISE, PLACE AT DESIRED STOPPING POINT, PARALLEL TO CROSSROAD CENTERLINE, WHERE POSSIBLE.
PAINTED MEDIANS	2 @ 4 (100) WITH 12 (300) DIAGONALS @ 45° NO DIAGONALS USED FOR 4' (1.2 m) WIDE MEDIANS	SOLID	YELLOW; TWO WAY TRAFFIC WHITE; ONE WAY TRAFFIC	11 (280) C-C FOR THE DOUBLE LINE SEE TYPICAL PAINTED MEDIAN MARKING.
GORE MARKING AND CHANNELIZING LINES	8 (200) WITH 12 (300) DIAGONALS @ 45°	SOLID	WHITE	DIAGONALS: 15' (4.5 m) C-C (LESS THAN 30MPH (50 km/h)) 20' (6 m) C-C 30MPH (50 km/h) TO 45MPH (70 km/h) 30' (9 m) C-C (OVER 45MPH (70 km/h))
RAILROAD CROSSING	24 (600) TRANSVERSE LINES; "RR" IS 6' (1.8 m) LETTERS; 16 (400) LINE FOR "X"	SOLID	WHITE	SEE STATE STANDARD 780001 AREA OF: "R"=3.6 SQ. FT. (0.33 m ²) EACH "X"=54.0 SQ. FT. (5.0 m ²)
SHOULDER DIAGONALS (REQUIRED FOR SHOULDERS ≥ 8')	12 (300) @ 45°	SOLID	WHITE - RIGHT YELLOW - LEFT	50' (15 m) C-C (LESS THAN 30MPH (50 km/h)) 75' (25 m) C-C (30 MPH (50 km/h) TO 45MPH (70 km/h)) 150' (45 m) C-C (OVER 45MPH (70 km/h))
U TURN ARROW	SEE DETAIL	SOLID	WHITE	16.3 SF
2 ARROW COMBINATION LEFT AND U TURN	SEE DETAIL	SOLID	WHITE	30.4 SF

FOR FURTHER DETAILS ON PAVEMENT MARKING REFER TO STANDARD SPECIFICATIONS FOR ROAD AND BRIDGE CONSTRUCTION AND STATE STANDARD 780001.

All dimensions are in inches (millimeters) unless otherwise shown.

FILE NAME =	USER NAME = paraynoal	DESIGNED - EVERS	REVISED - C. JUCIUS 09-09-09
pw:\planroom.dot\illinois.gov\PWIDOT\Documents\1007 Offices\District 1\Projects\301318\DRAWING\Design\DistStd.dgn		CHECKED -	REVISED - C. JUCIUS 07-01-13
Default	PLOT SCALE = 100.0000' / in.	DATE - 03-19-90	REVISED - C. JUCIUS 12-21-15
	PLOT DATE = 5/16/2019		REVISED - C. JUCIUS 04-12-16

**STATE OF ILLINOIS
DEPARTMENT OF TRANSPORTATION**

**DISTRICT ONE
TYPICAL PAVEMENT MARKINGS**

SCALE: NONE SHEET 1 OF 1 SHEETS STA. TO STA.

F.A.P. R.T.E.	SECTION	COUNTY	TOTAL SHEETS	SHEET NO.
366	2018-020-R5-SW	COOK	33	26
TC-13		CONTRACT NO. 62G70		
ILLINOIS FED. AID PROJECT				

TURN BAY ENTRANCE AT START OF LANE CLOSURE TAPER

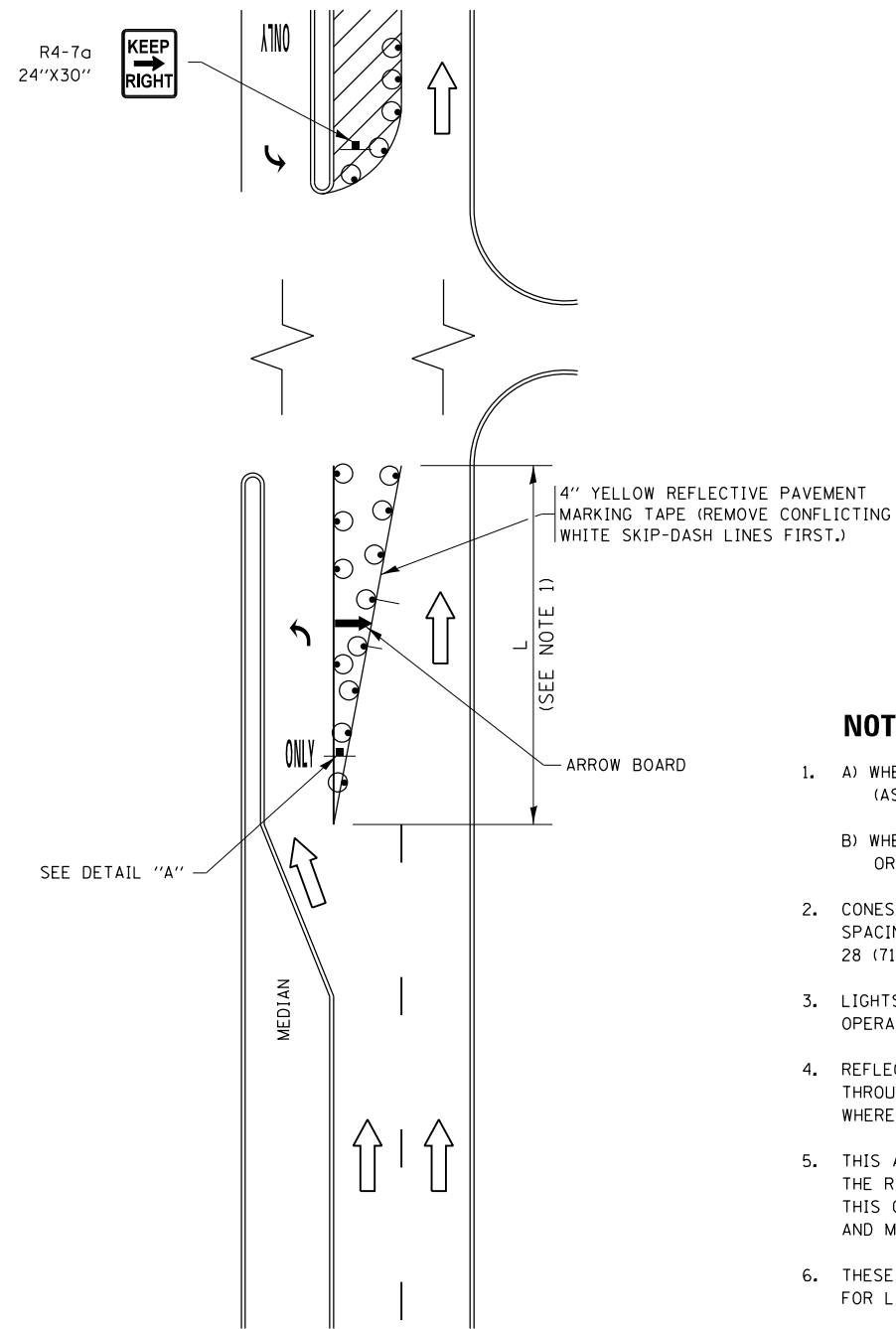
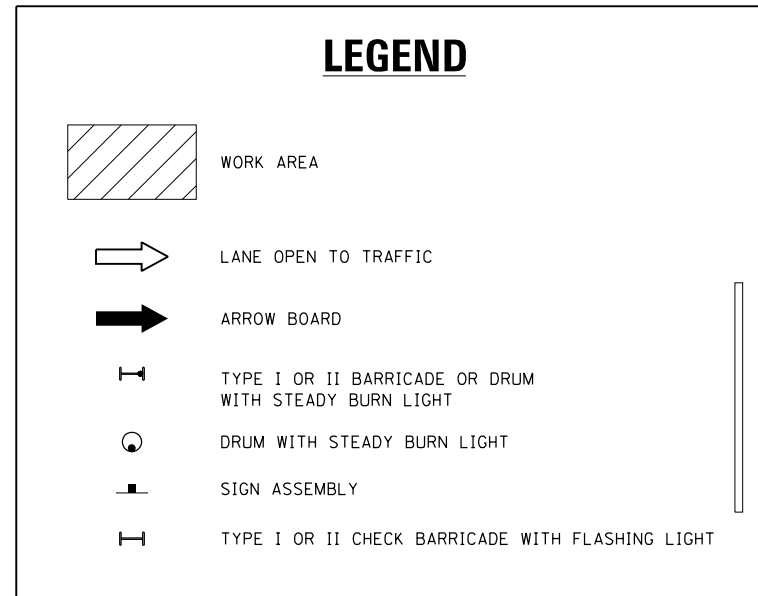


FIGURE 1



NOTES:

1. A) WHEN "L" IS \leq THE STORAGE LENGTH OF THE TURN LANE (AS SHOWN IN FIG. 1), USE FIGURE 1.
B) WHEN "L" IS $>$ THE STORAGE LENGTH OF THE TURN LANE OR THE TURN LANE IS WITHIN THE LANE CLOSURE, USE FIGURE 2.
2. CONES MAY BE SUBSTITUTED FOR BARRICADES OR DRUMS AT HALF THE SPACING DURING DAY OPERATIONS. CONES SHALL BE A MINIMUM OF 28 (710) IN HEIGHT.
3. LIGHTS WILL NOT BE REQUIRED ON BARRICADES OR DRUMS FOR DAY OPERATIONS. ALL LIGHTS SHALL BE MONODIRECTIONAL.
4. REFLECTIVE TEMPORARY PAVEMENT MARKINGS SHALL BE PLACED THROUGHOUT THE BARRICADED AREAS OF EACH TURN BAY AS SHOWN WHERE THE CLOSURE TIME IS GREATER THAN FOURTEEN (14) DAYS.
5. THIS APPLICATION ALSO APPLIES WHEN WORK IS BEING PERFORMED IN THE RIGHT LANE(S) AND THE RIGHT TURN BAY IS TO REMAIN OPEN. UNDER THIS CONDITION, "RIGHT TURN LANE" R3-I100R 24 x 24 (600 x 600) AND M6-2R 21 x 15 (530 x 380) SHALL BE USED.
6. THESE CONTROLS SHALL SUPPLEMENT MAINLINE TRAFFIC CONTROL FOR LANE CLOSURES.
7. THE SIGNS SHALL BE MOUNTED ABOVE THE BARRICADES/DRUMS ON SEPARATE SIGN SUPPORTS THAT MEET NCHRP 350 OR MASH PREQUIREMENTS.
8. TRAFFIC CONTROL AND PROTECTION AT TURN BAYS (TO REMAIN OPEN TO TRAFFIC) SHALL BE INCLUDED IN THE COST OF SPECIFIED TRAFFIC CONTROL STANDARDS OR ITEMS.

TURN BAY ENTRANCE WITHIN A LANE CLOSURE

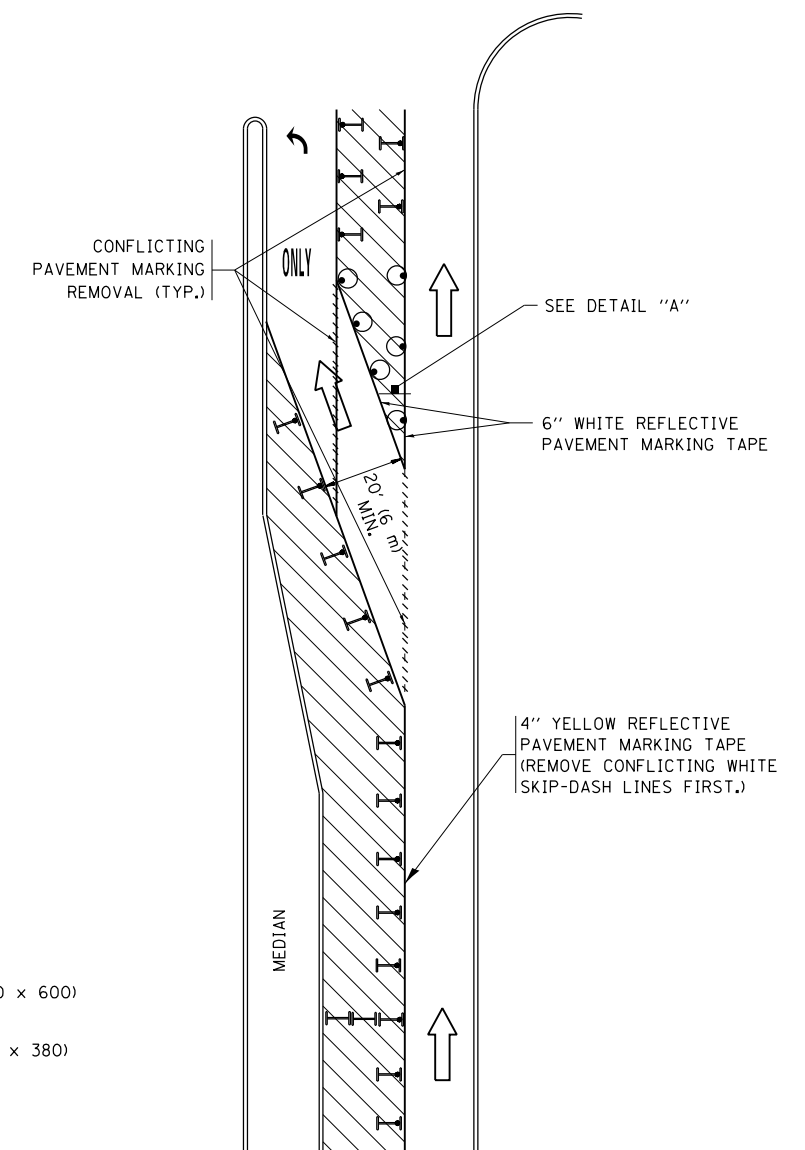
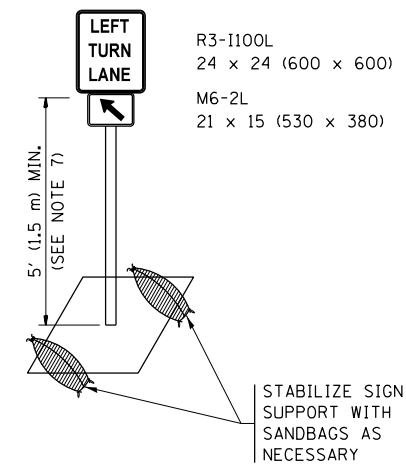


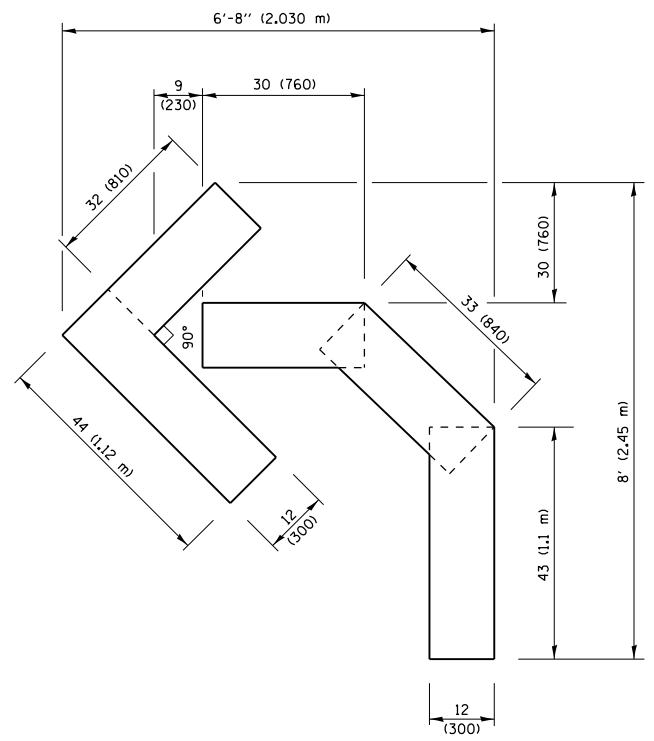
FIGURE 2



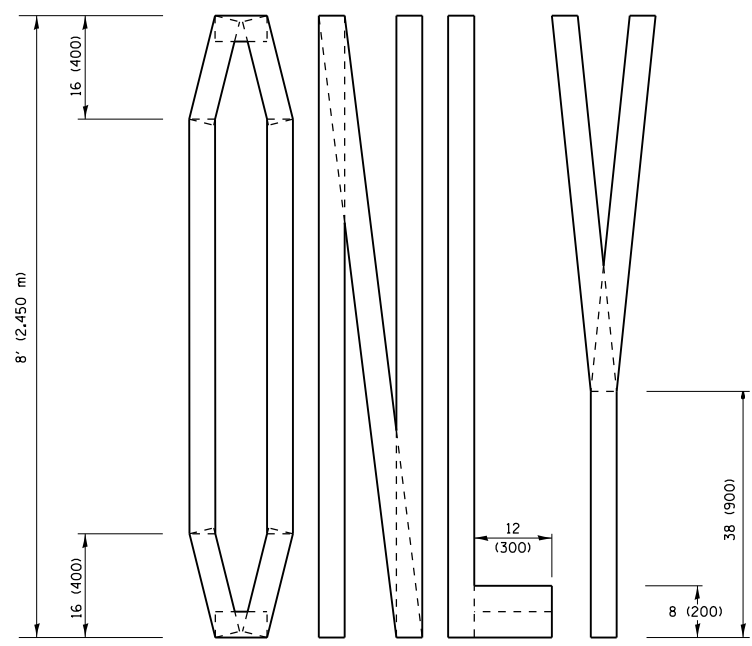
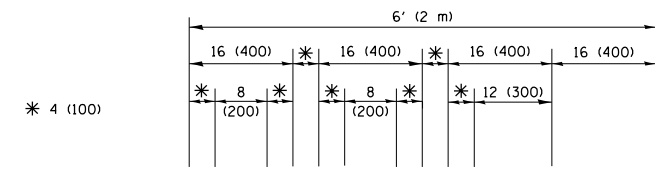
DETAIL A

All dimensions are in inches (millimeters) unless otherwise shown.

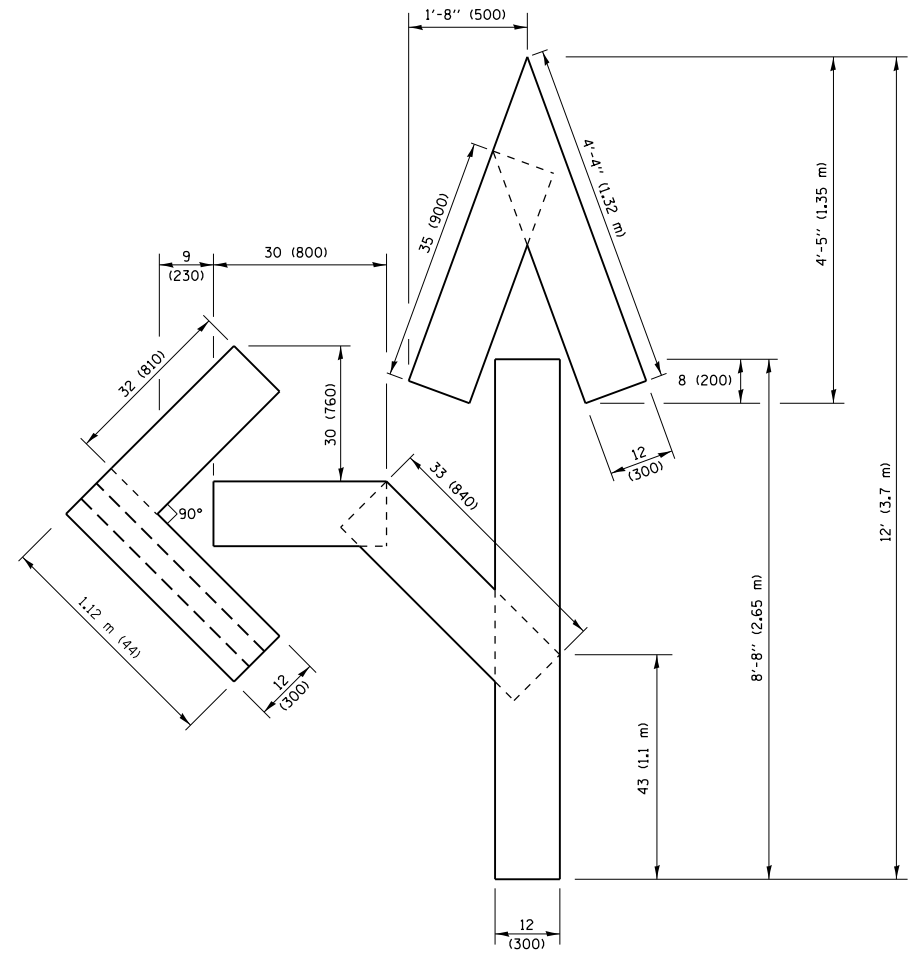
FILE NAME =	USER NAME = parayno1	REVISED - T. RAMMACHER 09-08-94	REVISED - R. BORO 09-14-09	STATE OF ILLINOIS DEPARTMENT OF TRANSPORTATION	TRAFFIC CONTROL AND PROTECTION AT TURN BAYS (TO REMAIN OPEN TO TRAFFIC)	F.A.P. R.T.E.	SECTION	COUNTY	TOTAL SHEETS	SHEET NO.	
pw:\planroom.dot.illinois.gov\PIDOT\Documents\IDOT Offices\District 1\Projects\013318\REVISED Design\0454465EH 11-07-95	REVISED - A. HOUSEH 10-12-96	REVISED - A. SCHUETZE 07-01-13	REVISED - A. SCHUETZE 09-15-16			366	2018-020-R5-SW	COOK	33	27	
Default	PLOT DATE = 5/16/2019	REVISED - T. RAMMACHER 01-06-00	REVISED -			TC-14		CONTRACT NO. 62G70			
						SCALE: NONE	SHEET 1	OF 1 SHEETS	STA.	TO STA.	ILLINOIS FED. AID PROJECT



QUANTITY
 4 (100) LINE = 45.5 ft. (13.9 m)
 15.2 sq. ft. (1.41 sq. m)

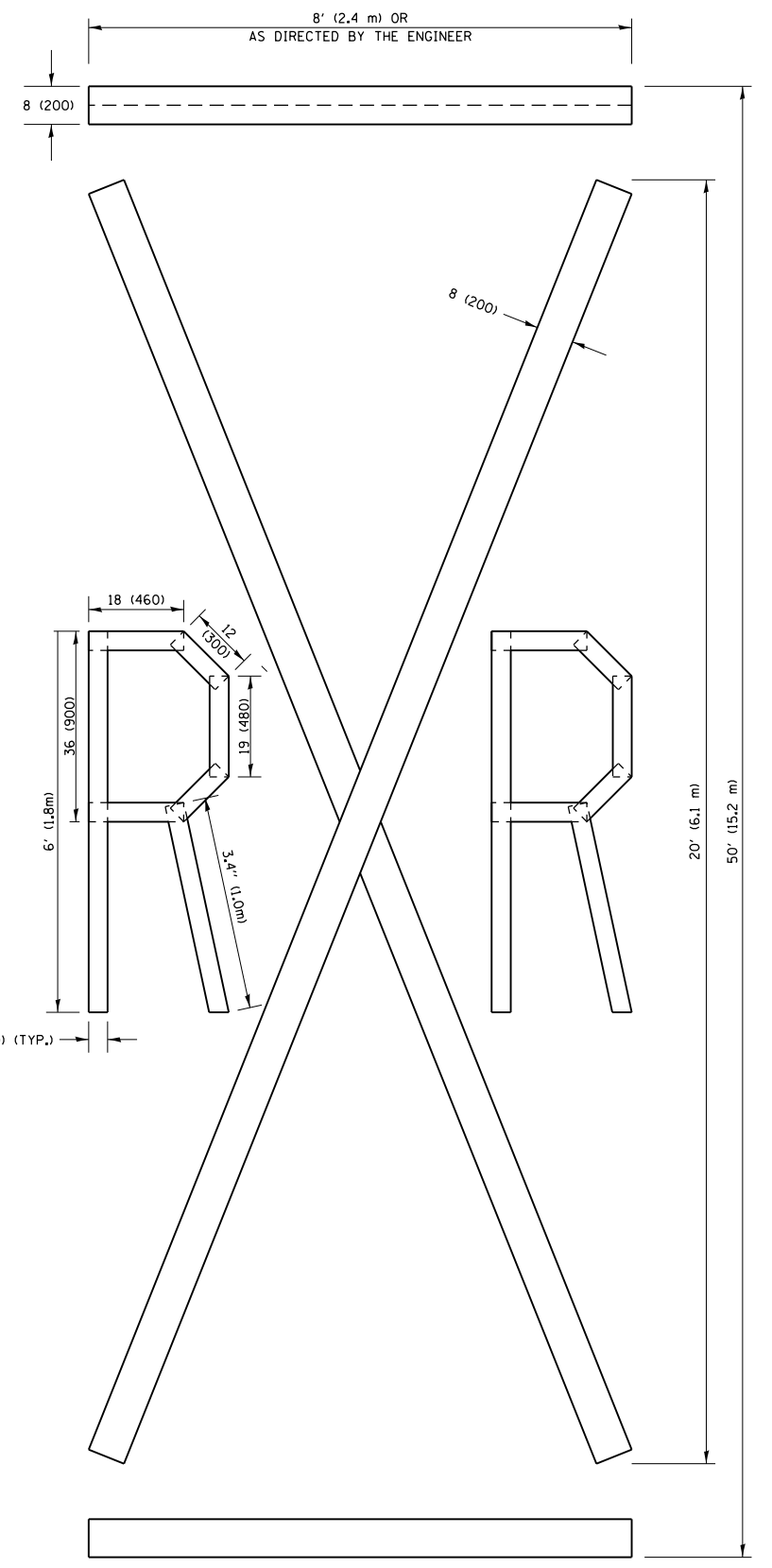


QUANTITY
 4 (100) LINE = 64.1 ft. (19.5 m)
 21.4 sq. ft. (1.99 sq. m)



QUANTITY
 4 (100) LINE = 82.5 ft. (25.1 m)
 27.5 sq. ft. (2.53 sq. m)

NOTE:
 ALL QUANTITIES OF PLACEMENT ARE REPRESENTED IN LINEAR FEET OF 4" LINES TO MATCH THE 4" TEMPORARY TAPE PAY ITEM AND REPRESENTS THE TOTAL QUANTITY OF 4" TAPE REQUIRED.



QUANTITY
 4 (100) LINE = 225.9 ft. (68.9 m)
 75.3 sq. ft. (6.99 sq. m)

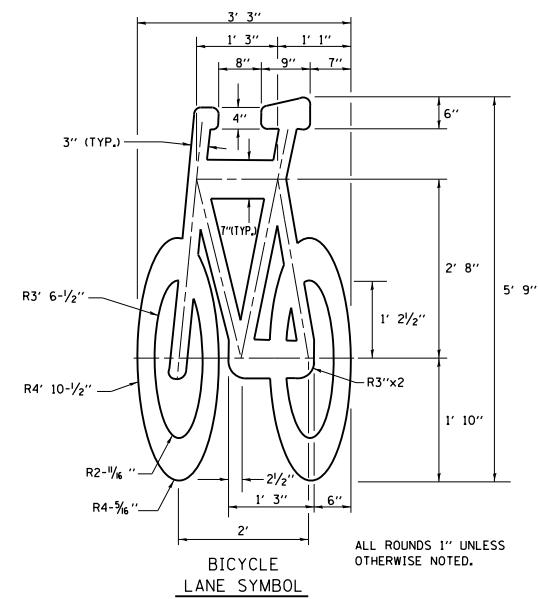
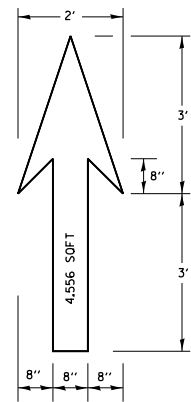
All dimensions are in inches (millimeters) unless otherwise shown.

FILE NAME =	USER NAME = paraynoal	DESIGNED -	REVISED - T. RAMMACHER 03-02-98
pw:\planroom.dot\illinois.gov\PWIDOT\Documents\DOT Offices\District 1\Projects\013318\DRAWING\Design\DistStd.dgn		CHECKED -	REVISED - E. GOMEZ 08-28-00
		DATE - 09-18-94	REVISED - E. GOMEZ 08-28-00
			REVISED - A. SCHUETZE 09-15-16

**STATE OF ILLINOIS
 DEPARTMENT OF TRANSPORTATION**

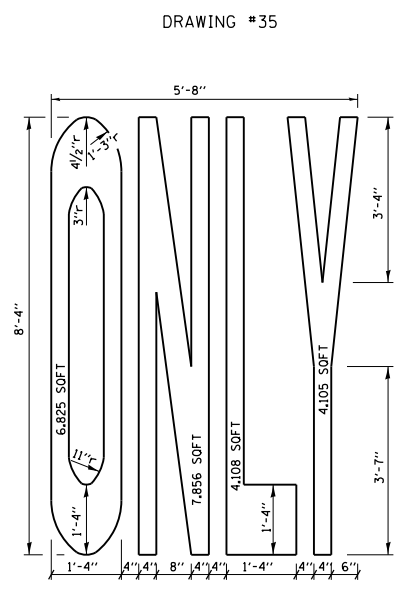
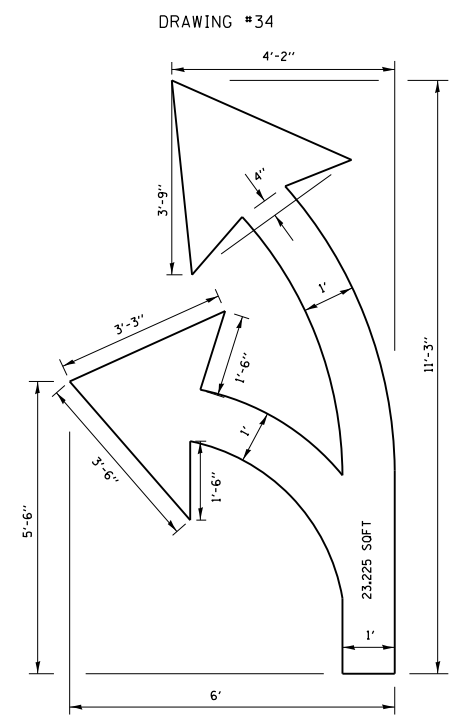
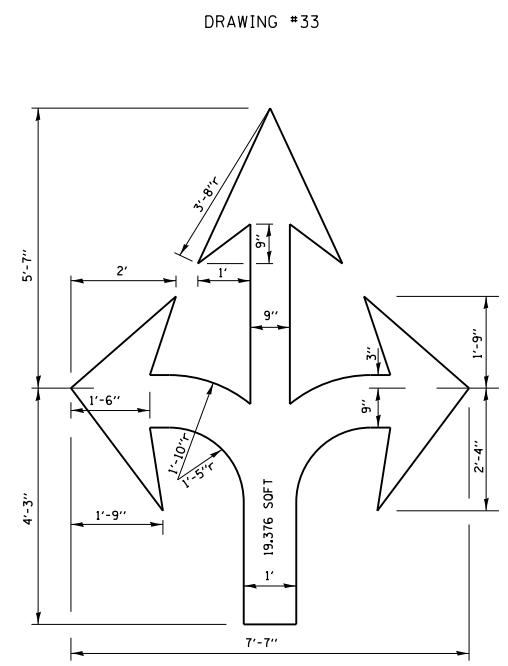
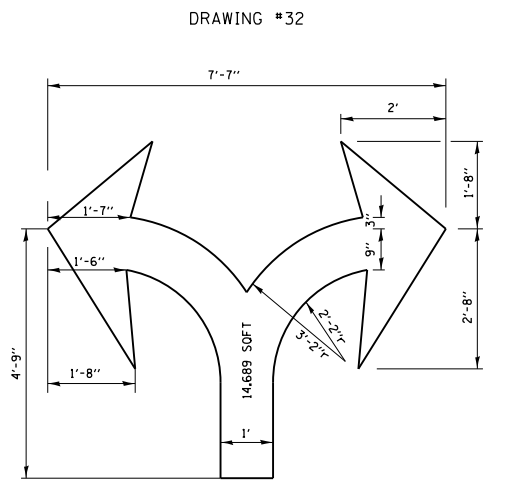
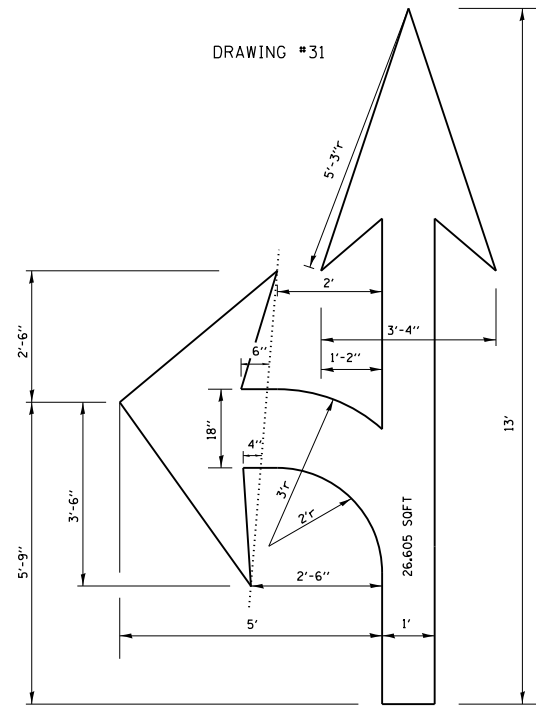
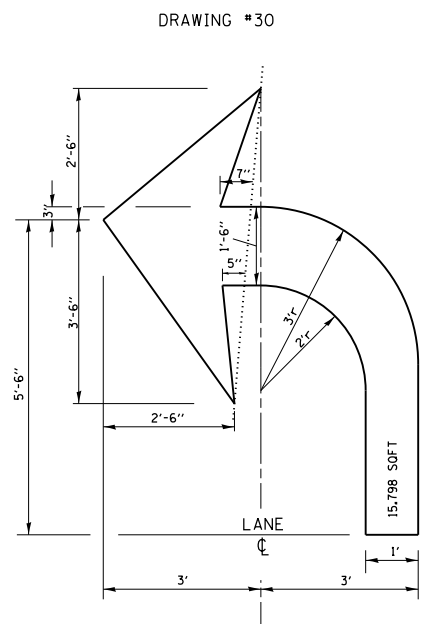
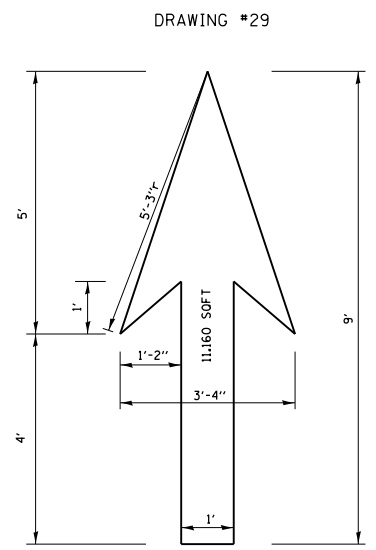
SHORT TERM PAVEMENT MARKING LETTERS AND SYMBOLS			
SCALE: NONE	SHEET NO. 1 OF 1 SHEETS	STA.	TO STA.

F.A.P. RTE.	SECTION	COUNTY	TOTAL SHEETS	SHEET NO.
366	2018-020-R5-SW	COOK	33	28
TC-16		CONTRACT NO. 62G70		
FED. ROAD DIST. NO. 1 ILLINOIS FED. AID PROJECT				



NOTE:
 1.) FOR BIKE LANE SYMBOLS ONLY, USE PRE-FORMED THERMOPLASTIC WITH A MINIMUM THICKNESS OF 90 MILS, MINIMUM SKID RESISTANCE VALUE OF 60 BPN, & A MINIMUM INDEX OF REFRACTION OF 1.50.
 2.) THE RESIDENT ENGINEER SHALL CONTACT MR. BEN GOMBERG AT 312-744-8093 AT LEAST ONE CALENDAR WEEK PRIOR TO INSTALLING BIKE LANE SYMBOLS.

TYPICAL BIKE LANE SYMBOLS
DRAWING #28



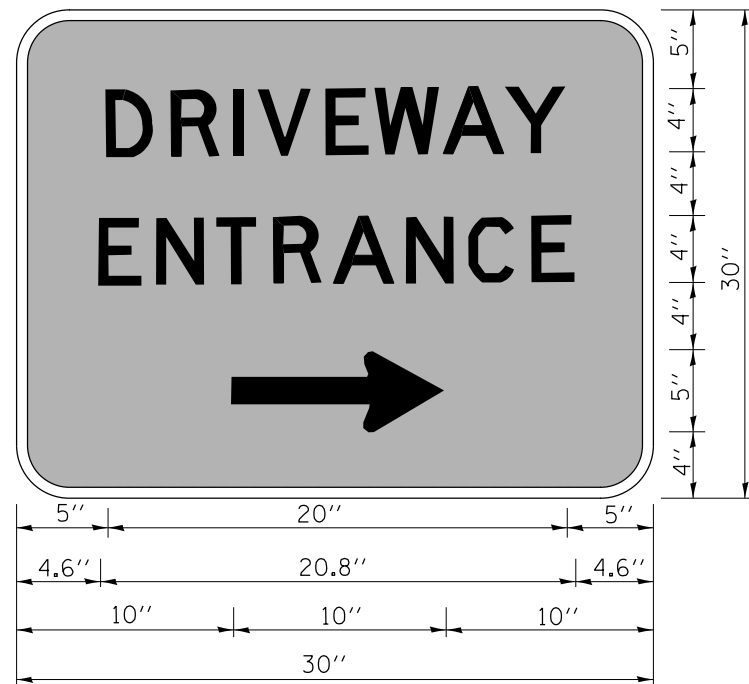
NOTE:
ALL MARKINGS SHALL BE SOLID WHITE UNLESS OTHERWISE NOTED IN THE PLANS

FILE NAME =	USER NAME = paraynoal	DESIGNED -	REVISED - T. RAMMACHER 12-07-00
pw:\planroom.dot.illinois.gov\PIDOT\Documents\DOT Offices\District 1\Projects\013318\DRAWING\Design\DistStd.dgn		CHECKED -	REVISED - K. ENG 01-12-12
		DATE -	REVISED -
			REVISED -

STATE OF ILLINOIS
DEPARTMENT OF TRANSPORTATION

CITY OF CHICAGO			
TYPICAL PAVEMENT MARKINGS			
SCALE: NONE	SHEET NO. 2 OF 3 SHEETS	STA.	TO STA.

F.A.P. RTE.	SECTION	COUNTY	TOTAL SHEETS	SHEET NO.
366	2018-020-R5-SW	COOK	33	30
TC-24		CONTRACT NO. 62G70		
FED. ROAD DIST. NO. 1 ILLINOIS FED. AID PROJECT				



3.0" RADIUS, 0.5" BORDER, WHITE ON GREEN; REFLECTORIZED
 "DRIVEWAY" D; "ENTRANCE" D; STANDARD ARROW CUSTOM 12.0" x 5.0"

NOTES:

1. HALF OF THE SIGNS WILL REQUIRE A LEFT HAND FACING ARROW.
2. TWO SIGNS SHALL BE USED AT EACH COMMERCIAL ENTRANCE
 PLACED BACK-TO-BACK; ONE WITH A RIGHT HAND ARROW (SHOWN)
 SHALL BE PLACED ON THE NEAR RIGHT SIDE THE DRIVEWAY
 AND ONE WITH A LEFT HAND ARROW SHALL BE PLACED ON THE
 FAR LEFT SIDE OF THE DRIVEWAY.
3. SIGNS TO BE PAID FOR AS ITEM "TEMPORARY INFORMATION SIGNING".

FILE NAME =	USER NAME = paraynoal	DESIGNED -	REVISED - C. JUCIUS 02-15-07
p:\planroom.dot\illinois.gov\PIDOT\Documents\IDOT Offices\District 1\Projects\013318\DRAWING\Design\DistStd.dgn		DRAWN	REVISED -
	PLOT SCALE = 100.0000' / 1in.	CHECKED -	REVISED -
	PLOT DATE = 5/16/2019	DATE -	REVISED -

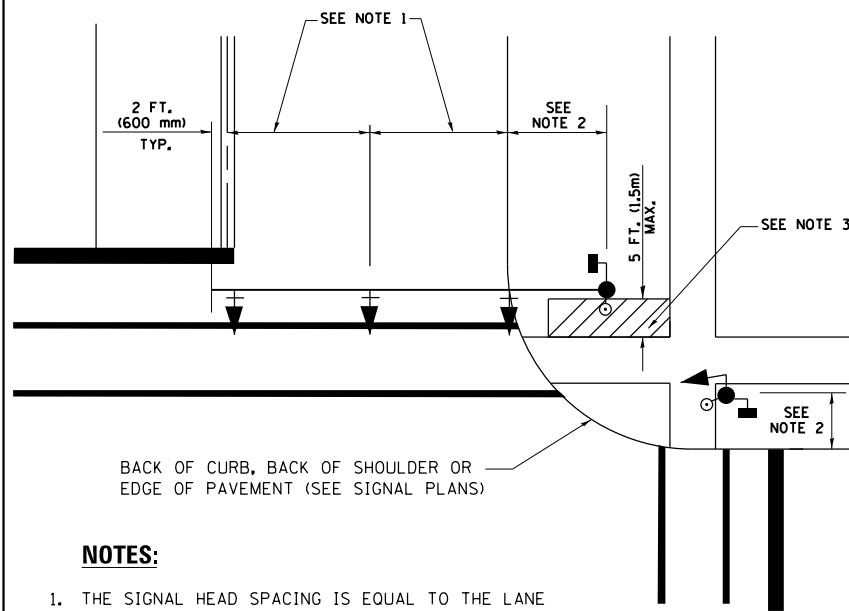
**STATE OF ILLINOIS
 DEPARTMENT OF TRANSPORTATION**

DRIVEWAY ENTRANCE SIGNING

SCALE: NONE SHEET NO. 1 OF 1 SHEETS STA. TO STA.

F.A.P. RTE.	SECTION	COUNTY	TOTAL SHEETS	SHEET NO.
366	2018-020-R5-SW	COOK	33	31
TC-26		CONTRACT NO. 62G70		
FED. ROAD DIST. NO. 1 ILLINOIS FED. AID PROJECT				

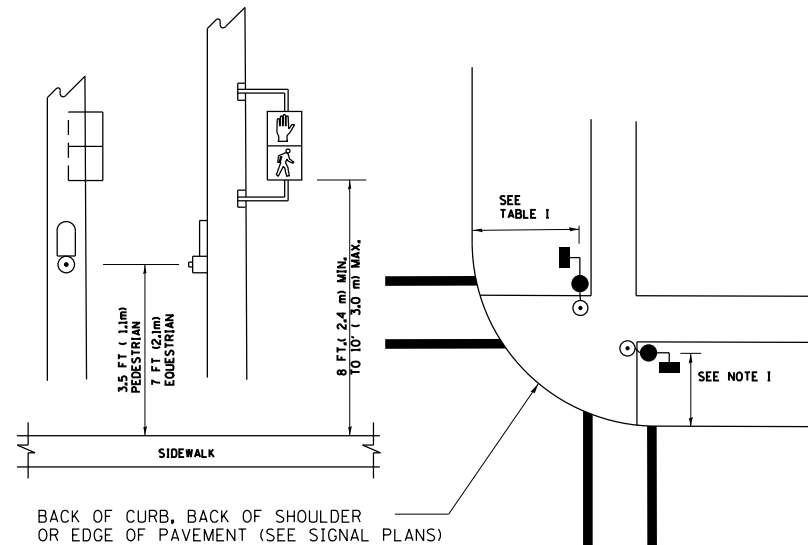
**TRAFFIC SIGNAL MAST ARM AND SIGNAL POST
MAST ARM MOUNTED SIGNALS IN EXISTING, PROPOSED OR
FUTURE SIDEWALK/BICYCLE PATH AREA. INTERSECTION SHOWN
WITH PEDESTRIAN SIGNALS AND PEDESTRIAN PUSHBUTTON DETECTORS.**



NOTES:

1. THE SIGNAL HEAD SPACING IS EQUAL TO THE LANE WIDTH OR AS SHOWN ON THE TRAFFIC SIGNAL PLAN.
2. REFER TO THE TRAFFIC SIGNAL EQUIPMENT OFFSET TABLE.
3. PROVIDE A LEVEL ALL-WEATHER SURFACE (CONCRETE SIDEWALK, ASPHALT BICYCLE PATH SURFACE OR MATCHING MATERIAL TO THE ADJACENT SURFACE) UP TO THE MAST ARM SHAFT OR THE SIGNAL POST.
4. THE FACE OF THE PEDESTRIAN PUSHBUTTON SHALL BE PARALLEL TO THE CROSSWALK TO BE USED.
5. THE LOCATIONS AND INSTALLATION OF PEDESTRIAN SIGNAL HEADS AND PEDESTRIAN PUSHBUTTONS SHALL MEET THE REQUIREMENTS OF THE MUTCD AND INFORMATION FOUND IN THE "AMERICANS WITH DISABILITIES ACT ACCESSIBILITY GUIDELINES FOR BUILDINGS AND FACILITIES."

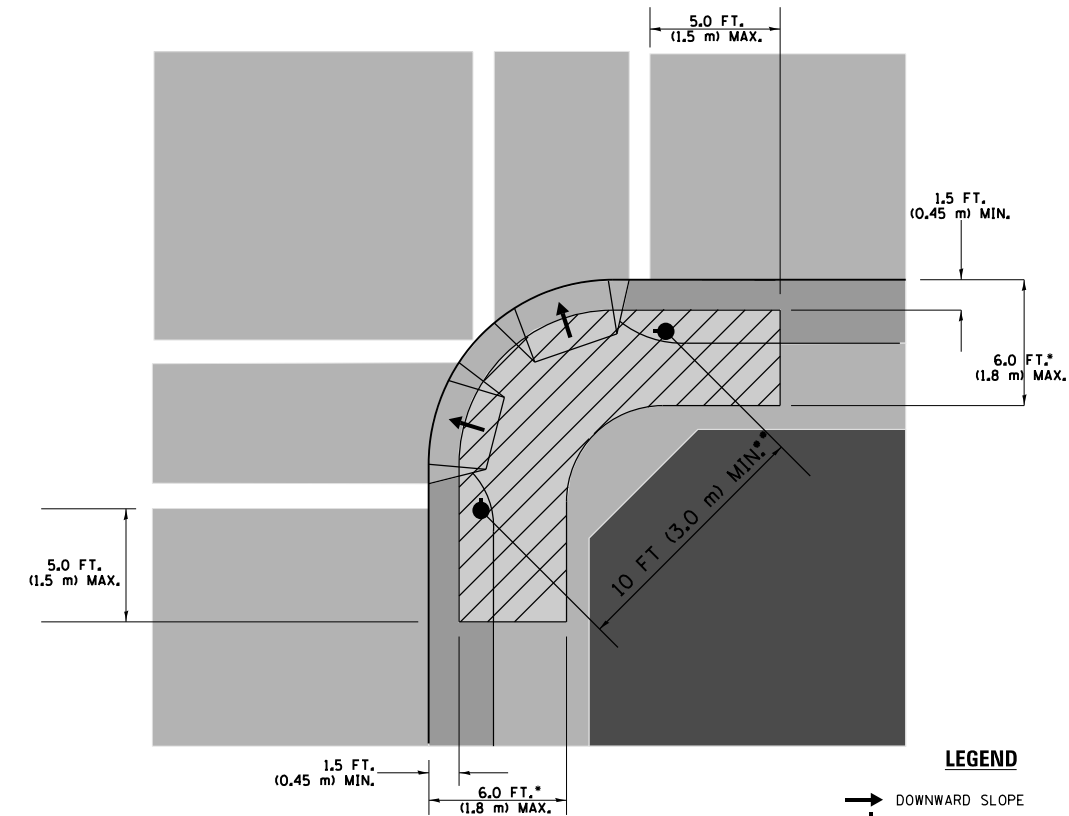
**PEDESTRIAN SIGNAL POST
AND
PEDESTRIAN PUSH BUTTON POST**



NOTES:

1. REFER TO THE TRAFFIC SIGNAL EQUIPMENT OFFSET TABLE.
2. PROVIDE A LEVEL ALL-WEATHER SURFACE (CONCRETE SIDEWALK, ASPHALT BICYCLE PATH SURFACE OR MATCHING MATERIAL TO THE ADJACENT SURFACE) UP TO THE PEDESTRIAN SIGNAL POST OR THE PEDESTRIAN PUSH BUTTON POST.
3. THE FACE OF THE PEDESTRIAN PUSHBUTTON SHALL BE PARALLEL TO THE CROSSWALK TO BE USED.
4. THE LOCATIONS AND INSTALLATION OF PEDESTRIAN SIGNAL HEADS AND PEDESTRIAN PUSHBUTTONS SHALL MEET THE REQUIREMENTS OF THE MUTCD AND INFORMATION FOUND IN THE "AMERICANS WITH DISABILITIES ACT ACCESSIBILITY GUIDELINES FOR BUILDINGS AND FACILITIES."

RECOMMENDED PUSHBUTTON LOCATIONS



LEGEND

- DOWNWARD SLOPE
- PEDESTRIAN PUSHBUTTON
- ▨ RECOMMENDED PUSHBUTTON LOCATIONS

- WHERE THERE ARE CONSTRAINTS THAT MAKE IT IMPRACTICAL TO PLACE THE PEDESTRIAN PUSHBUTTON BETWEEN 1.5 FT (0.45 m) AND 6 FT (1.8 m) FROM THE EDGE OF THE CURB, SHOULDER, OR PAVEMENT, IT SHOULD NOT BE FURTHER THAN 10 FT (3 m) FROM THE EDGE OF CURB, SHOULDER, OR PAVEMENT.
- WHERE THERE ARE CONSTRAINTS ON A PARTICULAR CORNER THAT MAKE IT IMPRACTICAL TO PROVIDE THE 10 FT (3 m) SEPERATION BETWEEN THE TWO PEDESTRIAN PUSHBUTTONS, THE PUSHBUTTONS MAY BE PLACED CLOSER TOGETHER OR ON THE SAME POLE.

NOTES:

1. PEDESTRIAN SIGNAL HEADS SHALL BE MOUNTED WITH THE BOTTOM OF THE SIGNAL HOUSING INCLUDING BRACKETS NOT LESS THAN 8 FT (2.4 m) OR MORE THAN 10 FT (3 m) ABOVE SIDEWALK LEVEL, AND SHALL BE POSITIONED AND ADJUSTED TO PROVIDE MAXIMUM VISIBILITY AT THE BEGINNING OF THE CONTROLLED CROSSWALK.
2. THE BOTTOM OF THE SIGNAL HOUSING (INCLUDING BRACKETS) OF A VEHICULAR SIGNAL FACE THAT IS NOT LOCATED OVER A HIGHWAY SHALL BE AT LEAST 8 FT (2.4 m) BUT NOT MORE THAN 19 FT (5.8 m) ABOVE THE SIDEWALK OR, IF THERE IS NO SIDEWALK, ABOVE THE PAVEMENT GRADE AT THE CENTER OF THE ROADWAY.
3. THE BOTTOM OF THE SIGNAL HOUSING AND ANY RELATED ATTACHMENTS TO A SIGNAL FACE LOCATED OVER ANY PORTION OF A HIGHWAY SHALL BE ACCORDING TO CURRENT STATE STANDARDS 877001, 877002, 877006, 877011 AND 877012 WITH A MINIMUM OF 16 FT (5.0 m) AND A MAXIMUM OF 18 FT. (5.5 m) FROM THE HIGHEST POINT OF PAVEMENT.
4. THE BOTTOM OF THE TEMPORARY SPAN WIRE MOUNTED SIGNAL HOUSING AND ANY RELATED ATTACHMENTS TO A SIGNAL FACE LOCATED OVER ANY PORTION OF A HIGHWAY SHALL BE ACCORDING TO CURRENT STATE STANDARD 880001 WITH A MINIMUM OF 17 FT (5.18 m) FROM THE HIGHEST POINT OF PAVEMENT.
5. THE TOP OF THE SIGNAL HOUSING OF A SIGNAL FACE LOCATED OVER ANY PORTION OF A HIGHWAY SHALL NOT BE MORE THAN 25.6 FT (7.8 m) ABOVE THE PAVEMENT.

TRAFFIC SIGNAL EQUIPMENT OFFSET

TRAFFIC SIGNAL EQUIPMENT	COMBINATION CONCRETE CURB AND GUTTER (MINIMUM DISTANCE FROM BACK OF CURB TO CENTERLINE OF FOUNDATION)	SHOULDER/NON-CURBED AREA (MINIMUM DISTANCE FROM EDGE OF PAVEMENT TO CENTERLINE OF FOUNDATION)
TRAFFIC SIGNAL MAST ARM POLE	6 FT (1.8m)	SHOULDER WIDTH + 2 FT (0.6m), MINIMUM 10 FT (3.0m)
TRAFFIC SIGNAL POST	4 FT (1.2m)	SHOULDER WIDTH + 2 FT (0.6m), MINIMUM 10 FT (3.0m)
PEDESTRIAN SIGNAL POST	4 FT (1.2m)	SHOULDER WIDTH + 2 FT (0.6m), MINIMUM 10 FT (3.0m)
PEDESTRIAN PUSHBUTTON POST	4 FT (1.2m)	SHOULDER WIDTH + 2 FT (0.6m), MINIMUM 10 FT (3.0m)
TEMPORARY WOOD POLE	6 FT (1.8m)	SHOULDER WIDTH + 2 FT (0.6m), MINIMUM 10 FT (3.0m)
CONTROLLER CABINET	6 FT (1.8m) MINIMUM DISTANCE SEE NOTE 2	SHOULDER WIDTH + 6 FT (1.8m), MINIMUM 16 FT (4.9m) SEE NOTE 3.
SERVICE INSTALLATION, GROUND MOUNT	6 FT (1.8m) MINIMUM DISTANCE SEE NOTE 2	SHOULDER WIDTH + 6 FT (1.8m), MINIMUM 16 FT (4.9m) SEE NOTE 3.

NOTES:

1. CONTACT THE "AREA TRAFFIC SIGNAL MAINTENANCE AND OPERATIONS ENGINEER" FOR ASSISTANCE IN LOCATING THE TRAFFIC SIGNAL EQUIPMENT WHEN THERE ARE CONFLICTS WITH DITCHES OR THE MINIMUM OFFSET DISTANCES CANNOT BE MET.
2. MINIMUM DISTANCE FROM THE BACK OF CURB TO THE ROADWAY SIDE OF THE FOUNDATION.
3. MINIMUM DISTANCE FROM THE EDGE OF PAVEMENT TO THE ROADWAY SIDE OF THE FOUNDATION.
4. ANY CHANGES TO THE OFFSETS OF THE FOUNDATIONS, FROM THE MINIMUM DISTANCES LISTED IN THE "TRAFFIC SIGNAL EQUIPMENT OFFSET" CHART AND THE TRAFFIC SIGNAL INSTALLATION PLAN, COULD EFFECT THE PLACEMENT OF THE SIGNAL HEADS, PEDESTRIAN SIGNAL HEADS AND THE PEDESTRIAN PUSHBUTTONS. THE SIGNAL HEAD PLACEMENT ON THE MAST ARMS SHALL REMAIN AS PER THE TRAFFIC SIGNAL INSTALLATION PLAN AND THE "TRAFFIC SIGNAL MAST ARM AND SIGNAL POST" DETAIL ABOVE. THE PROPOSED MAST ARM LENGTHS MAY NEED TO BE REVISED TO MEET THE ABOVE REQUIREMENTS. THE PEDESTRIAN SIGNAL HEADS AND PEDESTRIAN PUSHBUTTONS MUST MEET THE REQUIREMENTS UNDER THE DETAILS ON THIS SHEET.

FILE NAME =	USER NAME = paraynoal	DESIGNED -	REVISED -
pw:\planroom.dot.illinois.gov\PIWIDOT\Documents\1007 Offices\District 1\Projects\013318\DRAWING\Design\DistStd.dgn		CHECKED -	REVISED -
Default	PLOT DATE = 5/16/2019	DATE -	REVISED -

**STATE OF ILLINOIS
DEPARTMENT OF TRANSPORTATION**

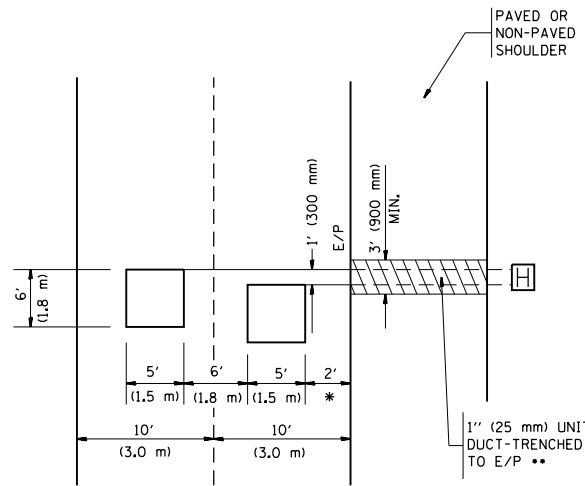
**DISTRICT ONE
STANDARD TRAFFIC SIGNAL DESIGN DETAILS**

SCALE: NONE SHEET 3 OF 7 SHEETS STA. TO STA.

F.A.P. RTE.	SECTION	COUNTY	TOTAL SHEETS	SHEET NO.
366	2018-020-R5-SW	COOK	33	32
TS-05		CONTRACT NO. 62G70		
ILLINOIS FED. AID PROJECT				

LOOPS NEXT TO SHOULDERS

PROVIDE A PAVEMENT REPLACEMENT NOTE WHICH SHOULD EQUAL 3' (900 mm) X WIDTH OF PAVED SHOULDER.



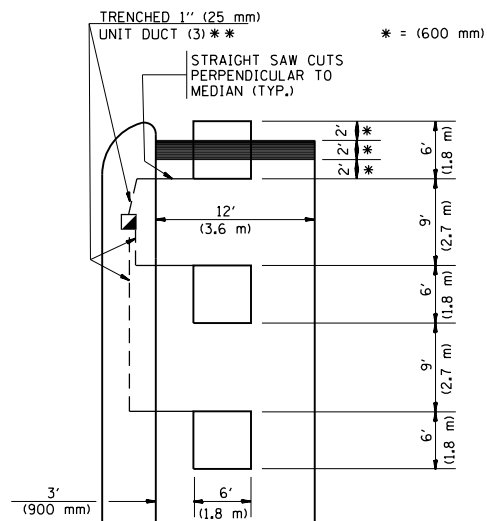
* = (600 mm)

** UNIT DUCT IS TO BE SHOWN ON PLAN SHEETS BUT SHALL NOT BE INCLUDED IN THE PAY ITEMS.

**LEFT TURN LANES WITH MEDIANS
VOLUME DENSITY ("FAR OUT" DETECTION)
ON SAME APPROACH**

(PROTECTED / PERMITTED LEFT TURN PHASING)

HANDHOLE LOCATION MAY VARY DEPENDING ON GEOMETRICS AND DESIGN OF TRAFFIC SIGNALS. HEAVY-DUTY HANDHOLES TO BE USED WHEN THE MEDIAN IS MOUNTABLE. REFER TO STANDARD 814001 TO ENSURE THAT HANDHOLE FITS IN MEDIAN.

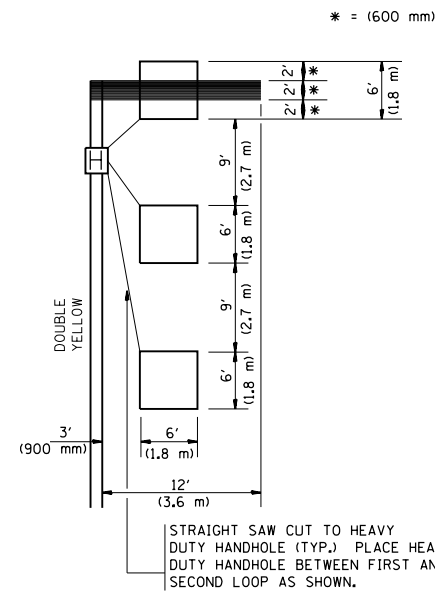


** UNIT DUCT IS TO BE SHOWN ON PLAN SHEETS BUT SHALL NOT BE INCLUDED IN THE PAY ITEMS.

NOTE: DUAL LEFT TURNS NOT SHOWN REFER TO PLAN SHEET FOR DETECTOR LOOP REPLACEMENT

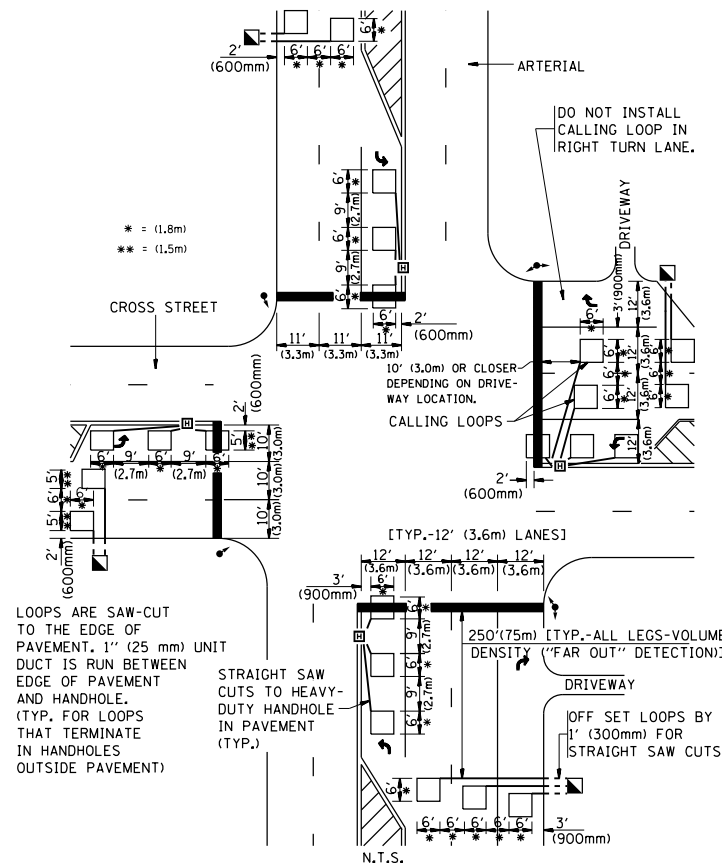
**LEFT TURN LANES WITHOUT MEDIANS
VOLUME DENSITY ("FAR OUT" DETECTION)
ON SAME APPROACH**

(PROTECTED / PERMITTED LEFT TURN PHASING)



NOTE: DUAL LEFT TURNS NOT SHOWN REFER TO PLAN SHEET FOR DETECTOR LOOP REPLACEMENT

**ARTERIAL-VOLUME DENSITY ("FAR OUT" DETECTION)
CROSS STREET-VOLUME DENSITY ("FAR OUT" DETECTION)**

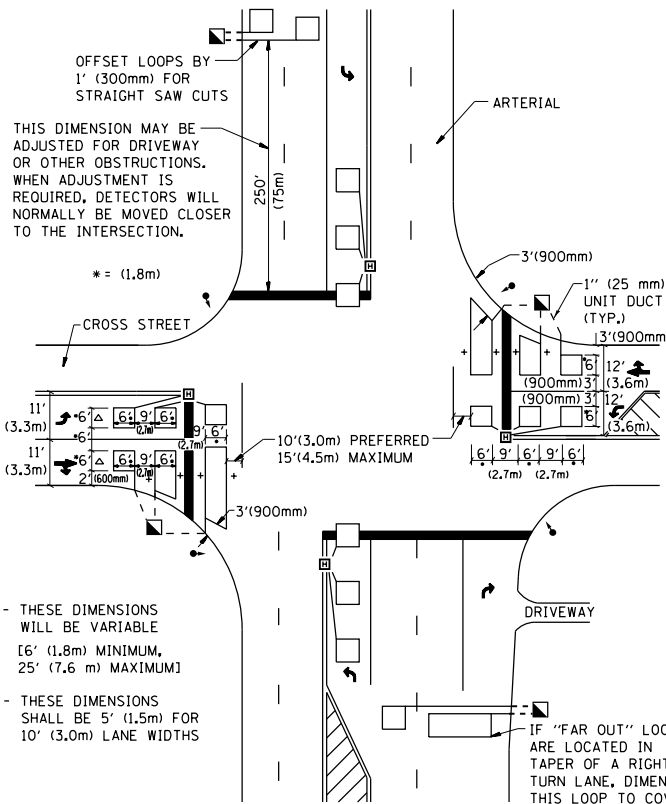


LOOPS ARE SAW-CUT TO THE EDGE OF PAVEMENT. 1" (25 mm) UNIT DUCT IS RUN BETWEEN EDGE OF PAVEMENT AND HANDHOLE. (TYP. FOR LOOPS THAT TERMINATE IN HANDHOLES OUTSIDE PAVEMENT)

STRAIGHT SAW CUTS TO HEAVY-DUTY HANDHOLE IN PAVEMENT (TYP.)

DETAIL 1
N.T.S.

**ARTERIAL-VOLUME DENSITY ("FAR OUT" DETECTION)
CROSS STREET-NON VOLUME DENSITY ("UPTIGHT" PRESENCE DETECTION)**



+ - THESE DIMENSIONS WILL BE VARIABLE [6' (1.8m) MINIMUM, 25' (7.6 m) MAXIMUM]

△ - THESE DIMENSIONS SHALL BE 5' (1.5m) FOR 10' (3.0m) LANE WIDTHS

IF "FAR OUT" LOOPS ARE LOCATED IN TAPER OF A RIGHT TURN LANE, DIMENSION THIS LOOP TO COVER TAPER AREA. DO NOT COVER THE LEFT TURN LANE OR LEFT TURN LANE TAPER.

DETAIL 2
N.T.S.

NOTES:

VEHICLES LOOP DETECTORS

- * ALL LEAD IN CABLE SHALL BE TWO CONDUCTOR NO. 14 TWISTED, SHIELDED.
- * EACH DETECTOR LOOP SHALL HAVE ITS OWN SAW CUT FROM THE LOOP TO THE EDGE OF PAVEMENT OR TO A HANDHOLE IN THE PAVEMENT.
- * EACH DETECTOR LOOP SHALL HAVE ITS OWN ONE INCH (25 mm) UNIT DUCT BETWEEN THE EDGE OF PAVEMENT AND THE FIRST HANDHOLE OR JUNCTION BOX. EACH UNIT DUCT RUN SHALL BE SHOWN ON THE PLANS BY THE DESIGNER, BUT SHALL NOT BE PAID FOR SEPARATELY. THIS ITEM IS INCIDENTAL TO THE PAY ITEM FOR DETECTOR LOOPS.
- * ONE DIMENSION OF ALL DETECTOR LOOPS SHALL BE SIX FEET (1.8 m)
- * EACH LANE OF NON-LOCKING, PRESENCE DETECTION AND EACH LANE OF A DOUBLE LEFT TURN LANE REQUIRES A SEPARATE INDUCTIVE LOOP DETECTOR AND LEAD IN CABLE.
- * WHEN NON-LOCKING, PRESENCE DETECTION IS USED, MORE THAN ONE LOOP PER LANE IS REQUIRED BEHIND THE STOP BAR (i.e. 1-1/2, 1-3/4, 2).
- * WHEN SYSTEM LOOPS ARE REQUIRED ON AN APPROACH OF AN INTERSECTION, THE LOOPS USED FOR VOLUME DENSITY AND INTERSECTION TIMING SHALL ALSO BE USED AS SYSTEM DETECTORS. EACH ONE OF THESE TYPE OF LOOPS REQUIRES A SEPARATE TWO CONDUCTOR NO. 14 TWISTED SHIELDED CABLE AND A SEPARATE INDUCTIVE LOOP DETECTOR WHEN NEW CONTROLLERS ARE UTILIZED. THE DESIGNER SHALL LABEL THESE TYPES OF LOOPS AS "INTERSECTION AND SAMPLING (SYSTEM) DETECTORS" ON THE SIGNAL LAYOUT, THE INTERCONNECT PLAN AND THE SYSTEM CABLE PLAN. WHEN AN EXISTING CONTROLLER IS UTILIZED FOR THIS TYPE OF DETECTION, THE PAY ITEM "INDUCTIVE LOOP DETECTOR WITH SYSTEM OUTPUT" SHOULD BE USED.

PLACEMENT OF DETECTORS

THE FOLLOWING FIGURES REPRESENT THE MOST COMMON DETECTOR LOOP LOCATIONS AND SIZES. ADJUSTMENTS WILL BE NECESSARY FOR SPECIFIC GEOMETRIC CONSIDERATIONS.

LOCATIONS AND DEMENSIONS OF DETECTOR LOOPS ARE REQUIRED ON ALL SIGNAL LAYOUT PLAN SHEETS.

"FAR OUT" DETECTION REFERS TO LOCKING, PRESENCE TYPE DETECTION LOCATED IN THRU LANES, RIGHT TURN LANES, AND RIGHT TURN LANE TAPER AREAS (IF APPLICABLE), USUALLY 250' (75 m) IN ADVANCE OF STOP BARS. "UPTIGHT" DETECTION REFERS TO NON-LOCKING PRESENCE TYPE DETECTION LOCATED IN ALL LANES AND 10'-15' (3.0 m-4.5 m) BEHIND THE CROSSING STREET'S EDGE OF PAVEMENT EXTENDED.

NOTE:

ALL DETAILS AND NOTES SHOWN ARE FROM THE I.D.O.T. DISTRICT 1 TRAFFIC SIGNAL DESIGN GUIDELINES DATED JANUARY 1995

THIS DRAWING HAS BEEN PREPARED TO ASSIST THE RESIDENT ENGINEER FOR ALL ROADWAY RESURFACING OR S.M.A.R.T. PROJECTS WHERE THE DIMENSIONS ARE NOT SHOWN ON THE PLANS AND THE FINAL LOCATIONS FOR CROSSWALKS OR STOP BARS ARE NOT DETERMINED.

FILE NAME =	USER NAME = paraynoal	DESIGNED -	REVISED -	STATE OF ILLINOIS DEPARTMENT OF TRANSPORTATION	DISTRICT 1 - DETECTOR LOOP INSTALLATION DETAILS FOR ROADWAY RESURFACING	F.A.P. RTE.	SECTION	COUNTY	TOTAL SHEETS	SHEET NO.
pw:\planroom.dot.illinois.gov\PIDOT\Documents\IDOT Offices\District 1\Projects\013318\DRAWING\Design\DistStd.dgn		CHECKED - R.K.F.	REVISED -			366	2018-020-R5-SW	COOK	33	33
PLOT SCALE = 100.0000' / 1in.		DATE -	REVISED -			TS-07		CONTRACT NO. 62G70		
PLOT DATE = 5/16/2019						SCALE: NONE		SHEET NO. 1 OF 1 SHEETS		STA. TO STA.
						FED. ROAD DIST. NO. 1 ILLINOIS FED. AID PROJECT				