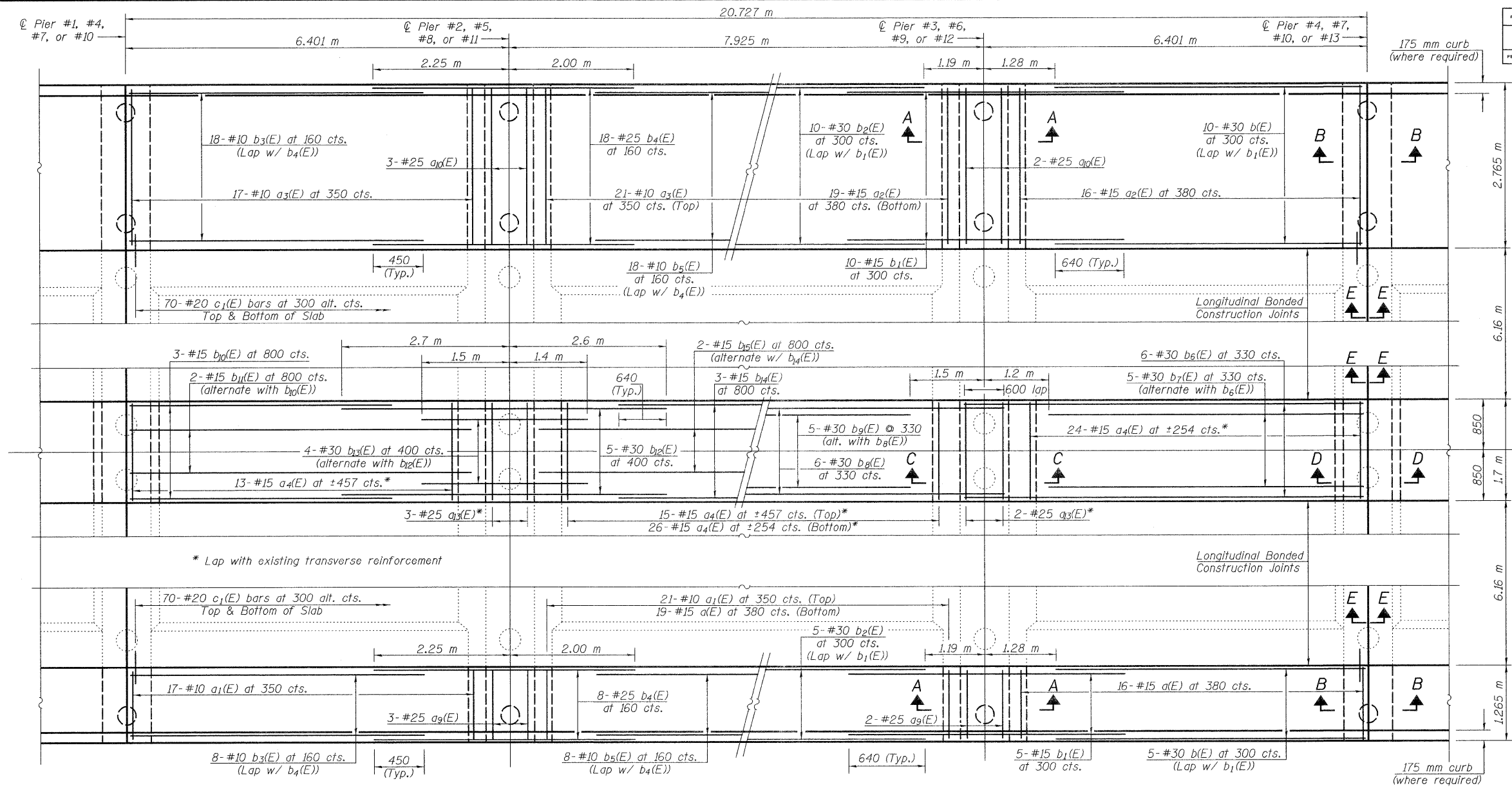


ROUTE NO. F.A.P. 866	SECTION 4N-1	COUNTY LAKE	TOTAL SHEETS 165	SHEET NO. 75
ILLINOIS		FED. AID PROJECT		

SHEET NO.
6 of 22

Contract No.: 60931



∅ Rte 132 & P.G.

* Lap with existing transverse reinforcement

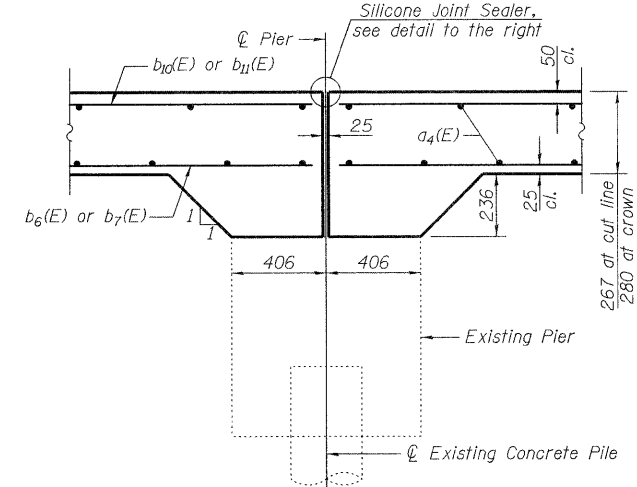
SHOWING TOP REINFORCEMENT

TYPICAL UNIT PLAN

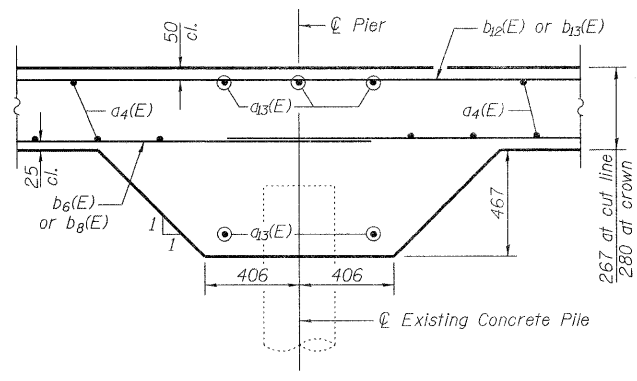
SHOWING BOTTOM REINFORCEMENT

NOTES

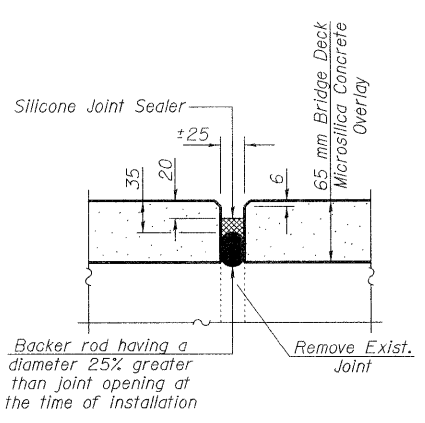
- Cut bottom longitudinal reinforcement in field to miss piles.
- See Sheets 9 and 10 of 22 for curb locations and reinforcement.
- See Sheet 7 of 22 for Sections A-A and B-B.
- See Sheet 8 of 22 for Bill of Material.
- See Sheet 14 of 22 for additional reinforcement at Catch Basin openings.
- Dead load deflection is negligible.
- 65 mm Latex Concrete Overlay omitted for clarity.



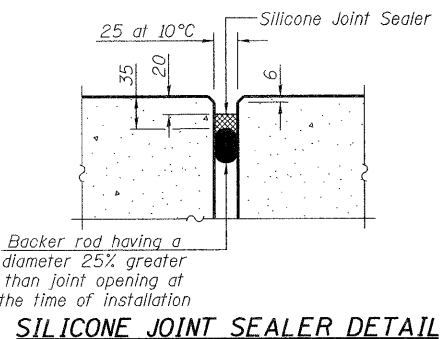
SECTION D-D
(Piers 4, 7, 10 & 13)



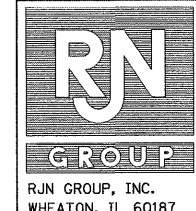
SECTION C-C



SECTION E-E
Removal of the existing joint shall be included with the cost of Silicone Joint Sealer



SILICONE JOINT SEALER DETAIL



REVISIONS	
NAME	DATE

ILLINOIS DEPARTMENT OF TRANSPORTATION
 REINFORCEMENT DETAILS - I
 IL RTE. 132 LAND BRIDGE
 FAP RTE 866 - SEC 4N-1
 LAKE COUNTY
 STA. 1+143.3
 SN 049-D002
 DATE: 11-06-09
 DRAWN BY: BLB
 CHECKED BY: WJW